

INSTALLATION INSTRUCTION

764 HID Track Luminaires

HTK-764-39E/70E, LTK-764-39E/70E, JTK-764-39E/70E

WAC LIGHTING

Responsible Lighting®

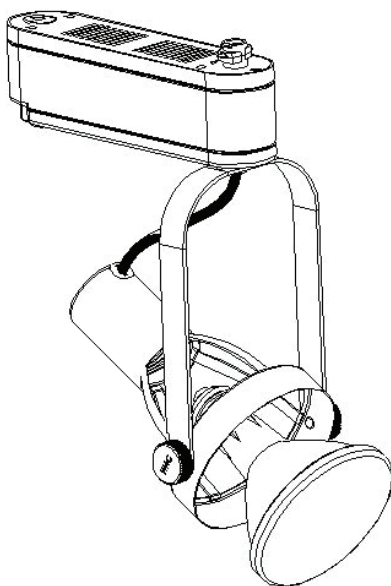
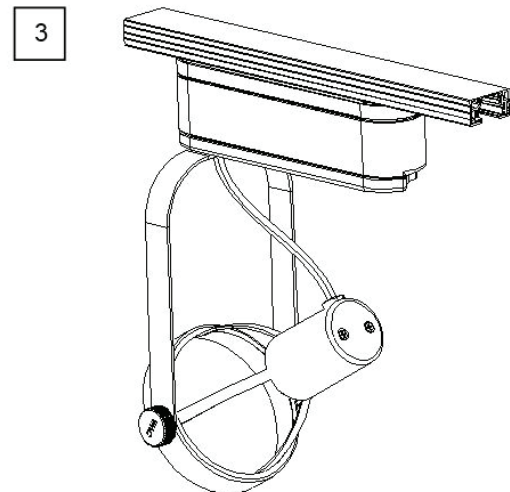
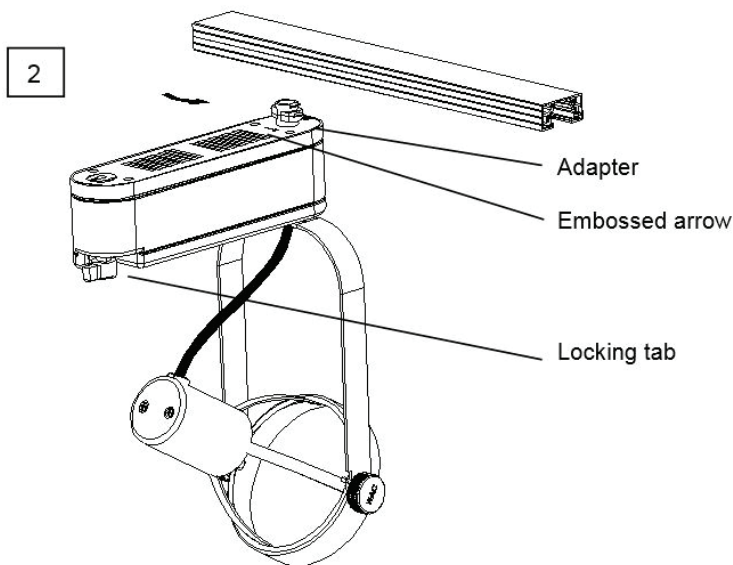
CAUTION:

For Use with WAC "H" track systems. Fixture may also be used on other manufacturers brand of track (consult factory for compatibility).

CAUTION – To reduce the risk of a burn during relamping, remove from the track before relamping. Read all instructions before installing.

FIXTURE INSTALLATION

1. Note the track has a groove running it's length to indicate polarity.
2. Insert adapter into track slot and rotate it 90° The embossed arrow on the adapter should point to the grooved side of the track.
3. Push up and turn the locking tab into the lock position.
4. Removal is the reverse procedure. Tracks may be positioned anywhere along the track length.



RE-LAMPING:

1. Use appropriate protection when handling hot lamps.
2. Turn power off at main switch.
3. Unscrew lamp counterclockwise to remove.
4. For HTK-764-70E Use Par 30 metal halide lamp **70W only**.
5. For HTK-764-39E Use Par 30 metal halide lamp **39W only**.
6. Never operate a lamp that is chipped or damaged.
7. Installation is the reverse procedure.

Note: Metal halide lamps require several minutes of operation to reach full brightness. If power is interrupted lamps will take several minutes to re-strike. This is a normal characteristic of metal halide lamps.

WAC Lighting
www.waclighting.com
Phone (800) 526.2588 • Fax (800) 526.2585

Headquarters/Eastern Distribution Center
44 Harbor Park Drive • Port Washington, NY 11050
Phone (516) 515.5000 • Fax (516) 515.5050

Western Distribution Center
1750 Archibald Ave • Ontario, CA 91761
Phone (800) 526.2588 • Fax (800) 526.2585