

# INSTALLATION INSTRUCTION

## Stretch - dweLED

BL-1630

# WAC LIGHTING

Responsible Lighting®

### WARNING

IMPORTANT: NEVER attempt any work without shutting off the electricity.

- Read all instructions before installing.
- System is intended for installation by a qualified electrician in accordance with the National Electrical Code and local regulations.
- Go to the main fuse box, or circuit breaker. Place the main power switch in the "OFF" position and unscrew the fuse(s) or switch "OFF" the circuit breaker switch(es) that control the power to the fixture or room that you are working on.
- Place the wall switch in the "OFF" position.

### CAUTION

- All parts must be used as indicated in these instructions. Do not substitute any parts, leave parts out, or use any parts that are worn out or broken. Failure to follow this instruction could invalidate the ETL/CETL listing of this fixture. CAUTION When handling the fixture, do not apply pressure to the LEDs. Hold the fixture by the base only.

### AVERTISSEMENT

IMPORTANT : Coupez l'électricité avant TOUTE manipulation.

- Lisez toutes les instructions avant d'installer.
- Système est destiné à être installé par un électricien qualifié en conformité avec le code national de l'électricité et les règlements locaux.
- Accédez au panneau central de disjoncteurs ou de fusibles de votre demeure et placez l'interrupteur principal en position d'arrêt (« OFF »).
- Placez l'interrupteur mural en position d'arrêt (« OFF »).

### MISE EN GARDE

- Toutes les pièces doivent être utilisées tel qu'il est indiqué dans ces instructions. Ne remplacez pas les pièces, n'en laissez pas de côté et ne les utilisez pas si elles sont usées ou brisées. Le non-respect de ces instructions peut annuler l'homologation ETL/CETL du luminaire. MISE EN GARDE Ors de la manipulation de l'appareil, ne pas appliquer de pression à la LED, tenir l'appareil par la seule base.

### ADVERTENCIA

IMPORTANTE: NUNCA intente hacer trabajos sin desconectar el suministro eléctrico.

- Lea y comprenda todas las instrucciones e ilustraciones por completo antes de proceder con el ensamblaje e instalación de esta lámpara.
- Sistema está diseñado para ser instalado por un electricista calificado, de acuerdo con el código eléctrico nacional y las normas locales.
- Diríjase a la caja de fusibles o a la caja del interruptor de circuito principal en su hogar. Coloque el interruptor de alimentación principal en la posición "OFF" (APAGADO).
- Coloque el interruptor de la pared en la posición "OFF" (APAGADO).

### PRECAUCIÓN

- Todas las piezas deben usarse como lo indican estas instrucciones. No reemplace las piezas, no omita piezas durante la instalación ni utilice piezas gastadas o rotas. El incumplimiento de esta indicación podría invalidar la calificación ETL/CETL esta lámpara. PRECAUCIÓN Al manipular el aparato, no aplique presión a los LED, mantenga el aparato en la base sólo.

### HARDWARE

J1



Wire Connector  
Qty: 3

K1



Junction Box Screw  
Qty: 2 + 1 extra

D1



Mounting Screw  
Qty: 4 + 1 Extra

Z1



Screw  
Qty: 2 + 1 Extra

N1



Hole Plug  
Qty: 1

C1



Wood screw  
Qty: 6

A1



Plastic Anchor  
Qty: 6

G1



Cord Bracker  
Qty: 2

H1



Cord cover  
Qty: 2

wacighting.com  
Phone (800) 526.2588  
Fax (800) 526.2585

Headquarters/Eastern Distribution Center  
44 Harbor Park Drive  
Port Washington, NY 11050

Central Distribution Center  
1600 Distribution Ct  
Lithia Springs, GA 30122

Western Distribution Center  
1750 Archibald Avenue  
Ontario, CA 91760



# INSTALLATION INSTRUCTION

## Stretch - dweLED

BL-1630

# WAC LIGHTING

Responsible Lighting®

### PREPARATION

1. Carefully unpack your new fixture, lay out all the parts on a clear area. Be careful not to lose any small parts necessary for installation.

2. Remove the mounting screws (D1) from the fixture.

### PORTABLE INSTALLATION (Fig. 1)

3. Drill holes in the wall aligned with the key-hole location in the mounting plate (B1).

4. Insert the plastic anchors (A1). Insert the wood screws (C1) into the plastic anchors (A1) leaving enough length to hang the mounting plate (B1).

5. Hang the mounting plate (B1) and tighten the wood screws (C1) until the mounting plate (B1) is secured to the wall.

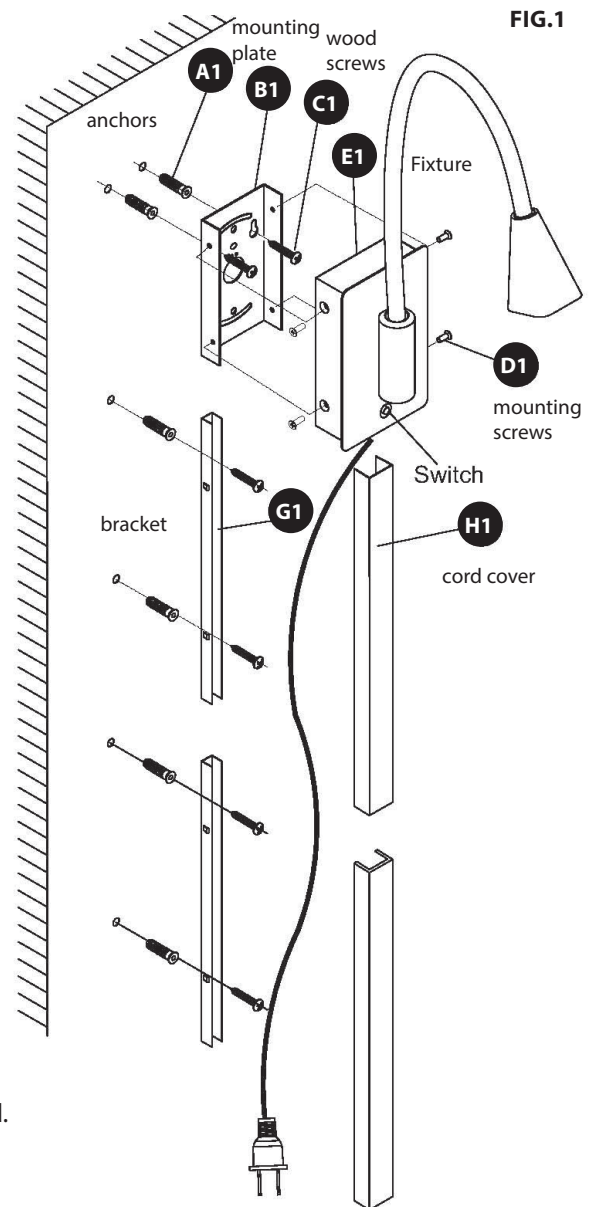
6. Place the fixture over the mounting plate (B1) and secure it with the mounting screws (D1).

7. Install optional cord cover if desired. Drill holes in the wall aligned with the hole locations in the cord bracket (G1). Insert the plastic anchors (A1) into wall. Secure the bracket (G1) to the wall with the wood screws (C1).

8. Place the cord into the bracket (G1). Snap the cord cover (H1) over the cord bracket.

9. Plug into outlet.

10. This lamp features a dimmer switch. Press and release to turn on / off. When fixture is on, press and hold the switch to cycle from dim to bright and release when desired brightness is reached.



# INSTALLATION INSTRUCTION

## Stretch - dweLED

BL-1630

# WAC LIGHTING

Responsible Lighting®

### IMPORTANT SAFETY INSTRUCTIONS

This portable lamp has a polarized plug (one blade is wider than the other) as a safety feature to reduce the risk of electric shock. This plug will fit a polarized outlet only one way. If the plug does not fit fully in the outlet, reverse the plug. If it still does not fit, contact a qualified electrician. Never use with an extension cord unless the plug can be fully inserted. Do not change or alter the plug.

### PERMANENT INSTALLATION

1. Shut off power at circuit breaker. If necessary, remove old fixture, including mounting hardware.

2. Unscrew the screw (M1) and take out the metal plate (I1) from inside the fixture back plate.

3. Cut power cord to 7" length (from center of the fixture back plate). Pull cord through grommet hole in order to connect to main power. (CAUTION: FIXTURE CANNOT REVERT TO PLUG-IN VERSION ONCE THE CORD AND PLUG ARE CUT OFF)  
Remove grommet from base and insert hole plug (N1) provided to cover hole

### FOR SWITCH BOX MOUNTING (Fig. 2)

1. Secure mounting plate (B1) to the switch box (P1) using screws (K1). The side of the mounting plate marked "GND" (B1) must face out.

### FOR JUNCTION BOX MOUNTING (optional Fig. 3)

2. Secure the mounting ring (Y1) to the junction box (F1) using junction box screws (K1). Make sure the two holes (spacing 2-3/4") are vertically aligned as shown in Fig. 3.

3. Put the mounting plate (B1) and the conversion plate (Q1) onto the mounting ring (K1). Make sure the two holes on the mounting plate (B1) are aligned with the two slots on the conversion plate (Q1) and the two holes on the mounting ring (Y1). Fasten them using the long screws (Z1).

### CONNECTING THE WIRES (Fig. 4)

4. Connect the electrical wires as shown in Fig. 3, making sure that all wire connectors (J1) are secured. If your outlet box has a green or bare copper ground wire, connect the fixture's ground wire to it. Otherwise, connect the fixture's ground wire directly to the mounting plate (B1) using the green screw provided. After wires are connected, tuck them carefully inside the junction box.

5. Place the fixture back plate (E1) over the mounting plate (B1) and secure with screws (D1).

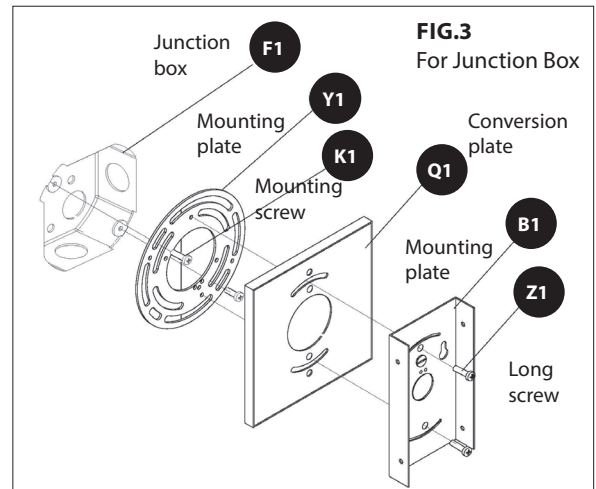
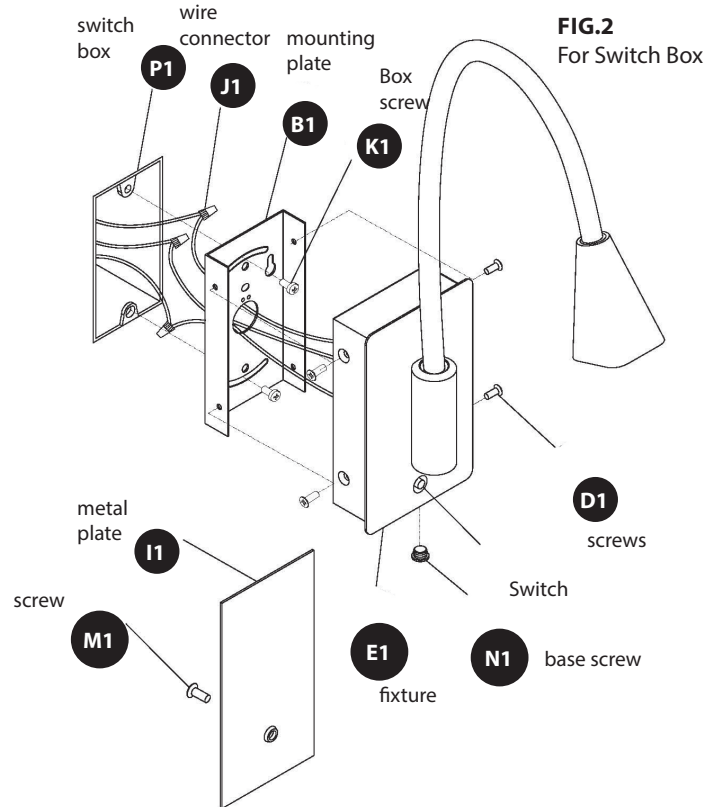


Fig.4 Wiring



Fixture Wires	House Wires
Black or Smooth	Black (Hot)
White or Ribbed	White (Neutral)
Bare wire (Ground)	Green or Bare Copper (Ground)

waclighting.com  
Phone (800) 526.2588  
Fax (800) 526.2585

Headquarters/Eastern Distribution Center  
44 Harbor Park Drive  
Port Washington, NY 11050

Central Distribution Center  
1600 Distribution Ct  
Lithia Springs, GA 30122

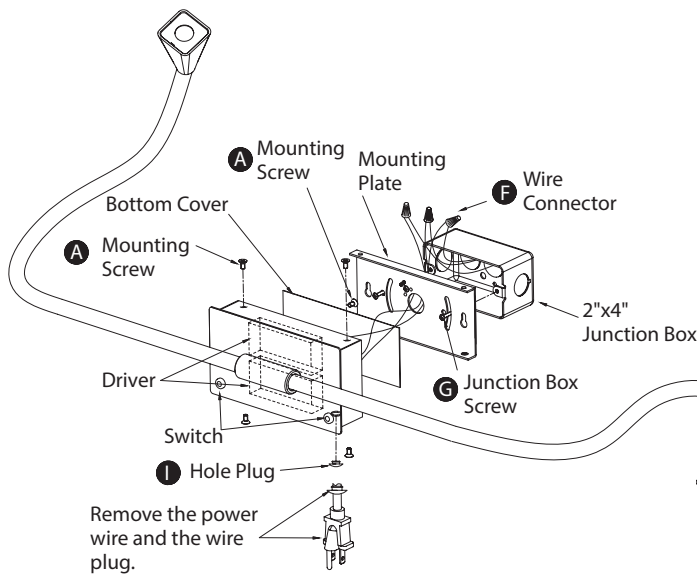
Western Distribution Center  
1750 Archibald Avenue  
Ontario, CA 91760



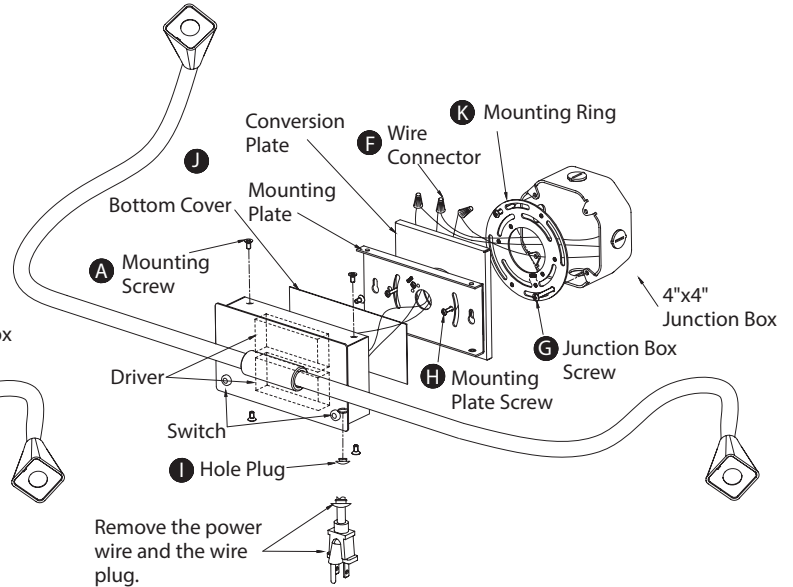




**Fig.2 Mount on Switch box**



**Fig.3 Mount on Junction Box**



**FIXTURE INSTALLATION (FIG. 2)**

1. Shut off power at circuit breaker. If necessary, remove old fixture, including mounting hardware.
2. Unscrew the screw (A) and take out the bottom cover and mounting plate.
3. Remove the wire connector (F), remove the grommet, power wire and wire plug from base and insert hole plug (I) provided to cover the hole, then install back the bottom cover using mounting screw (A).

**MOUNT ON 2" X 4" SWITCH BOX (FIG. 2)**

4. Secure the mounting plate to the switch box using the junction box screw (G), the side of the mounting plate marked "GND" must face out.
5. Connect the driver input/output wires to junction box wires as shown in Fig. 4, making sure that all wire connectors (F) are installed securely. If your outlet box has a green and bare copper ground wire, connect the fixture's ground wire to it. Otherwise, connect the fixture's ground wire directly to back plate using the green screw provided.
6. Place the fixture over the mounting plate and secure with mounting screw (A).

OR

**MOUNT ON 4" X 4" SWITCH BOX (FIG. 3)**

4. Secure the mounting ring to the junction box using the junction box screw (G), the side of the mounting plate marked "GND" must face out.
5. Connect the Driver input/output wires to junction box wires as shown in Fig. 4, making sure that all wire connectors (F) are installed securely. If your outlet box has a green and bare copper ground wire, connect the fixture's ground wire to it. Otherwise, connect the fixture's ground wire directly to back plate using the green screw provided.
6. Secure the mounting plate and conversion plate to the mounting ring with mounting plate screw (H).
7. Place the fixture over the mounting plate and secure with mounting screw (A).

# INSTALLATION INSTRUCTION

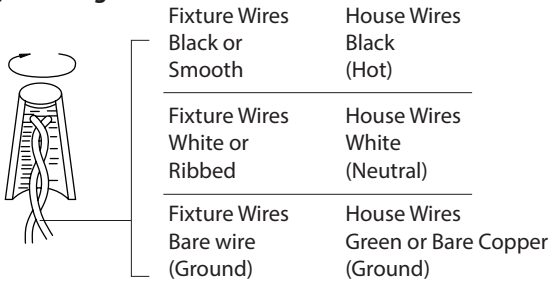
## 16 – LED Swing Arm

BL-1660

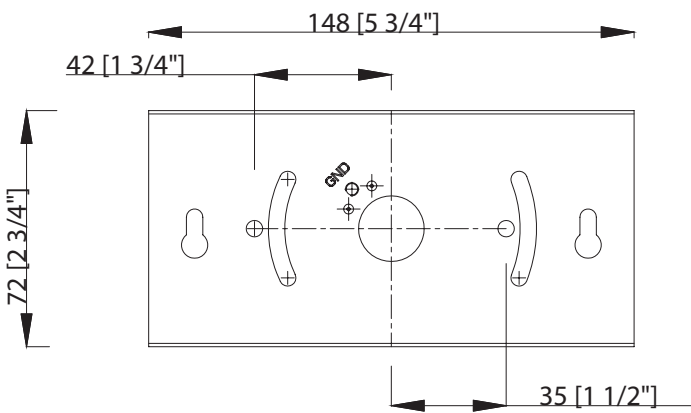
# WAC LIGHTING

Responsible Lighting®

**Fig. 4 Wiring**



**Back Plate Dimensions**



**Conversion Plate Dimensions**

