

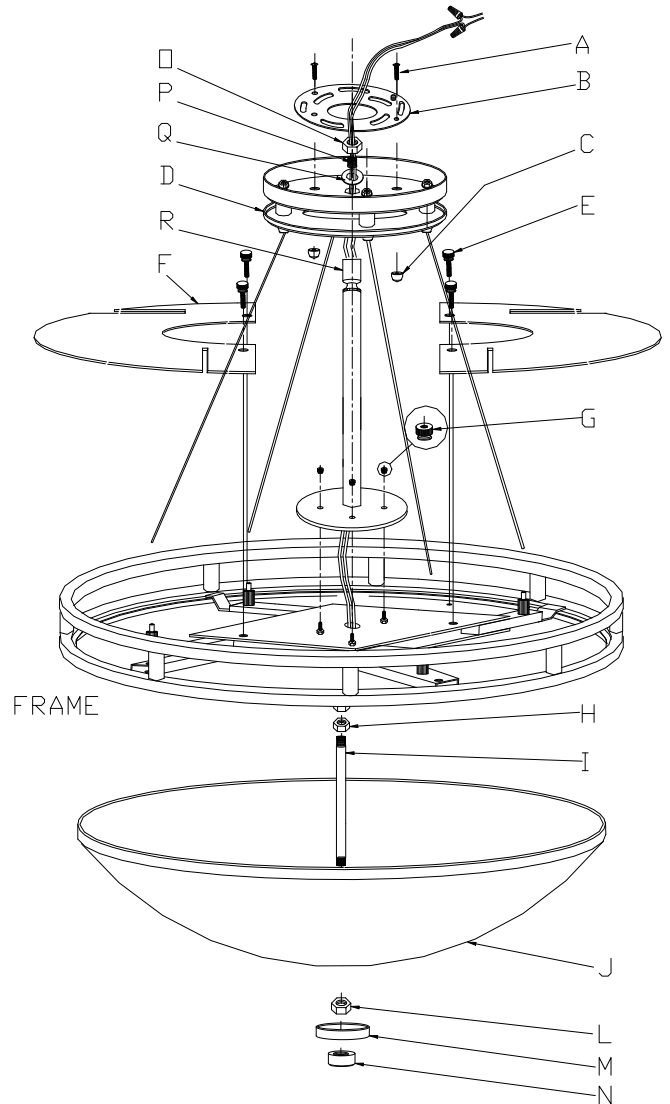
## INSTRUCTIONS: FLUORESCENT PENDANT

Models: DP-A24-4TF32

Read all instructions before installing.  
Disconnect power before installing or re-lamping.  
For installation by a qualified electrician.

### HANGING THE FIXTURE

1. Carefully remove the fixture from the carton and check that all parts are included as shown in the illustration.
2. Shut off power at the circuit breaker and remove old fixture including the crossbar.
3. Install two screws (A) into the crossbar (B) as shown.
4. Attach the crossbar (B) to the Outlet box in the ceiling with two screws. The side of the Crossbar with "GND" marked on it and two convex points must face out.
5. Assemble hex nut(O) & lock washer(Q) to nipple(P) and then to the swivel(R).
6. Feed power wire from the ballast compartment on the frame, up through the fixture tube. Continue feeding wire through tube and swivel parts until it exits through the crossbar (B).
7. Connect fixture wires to wires in the junction box with wire nuts.
8. Connect ground wire to the green grounding screw on the crossbar.
9. Attach the Frame to the Center stem and secure with Knurled Nuts (G)
10. Raise the Canopy (D) up to the ceiling and lock the Canopy in place by threading the Cap Nuts (C) onto the screws.
11. Install compact fluorescent lamps (DO NOT EXCEED THE MAXIMUM WATTAGE RATING!)
12. Attach the shade(J) to the frame by first installing the threaded rod (I) and lock with nut (H). Secure the shade with nut (L) and cover Cap (M) and secure with Decorative Nut (N).
13. Install covers(F) and secure with Thumbscrews (E).
14. Your installation is now complete. Return power to the junction box and test the fixture.



# INSTRUCTIONS:

## MANHATTAN PENDANTS

Models:

DP-A30-4TF42

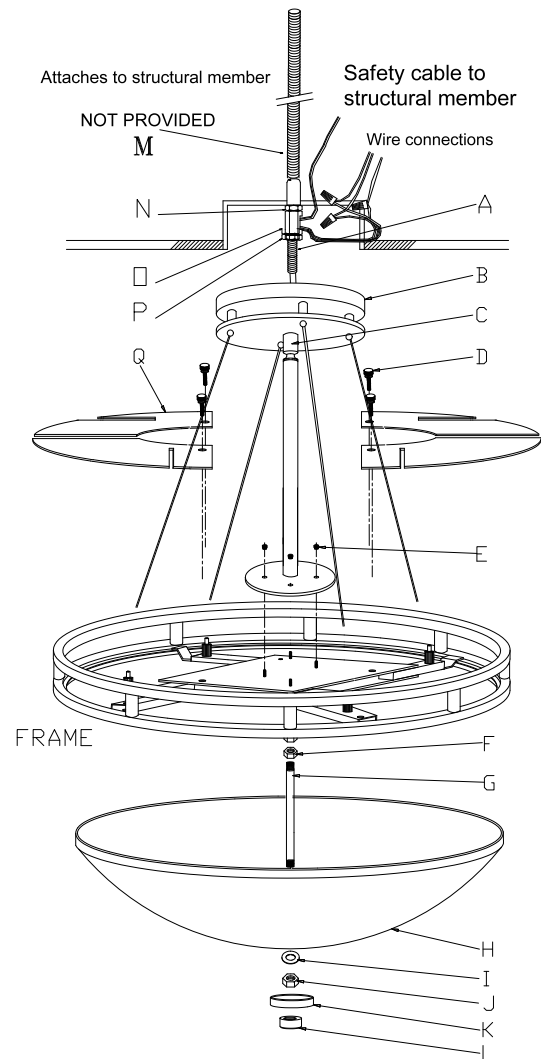
DP-A36-6TF42

DP-A48-8TF42

Read all instructions before installing.  
Disconnect power before installing or re-lamping.  
For installation by a qualified electrician.

### HANGING THE FIXTURE

1. Carefully remove the fixture from the carton and check that all parts are included as shown in the illustration.
2. Shut off power at the circuit breaker and remove old fixture including the crossbar.
3. Contractor is to provide a 1/4 IPS (also called NPSM) pipe (M) securely mount to a beam or structural member. The other end should protrude through the center of the outlet box as shown, and thread into the hickey (O).
4. Remove the hickey (O) and Nipple (A) from the swivel(C), which was temporarily assembled with the swivel(C) for shipment.
5. Assemble the Nut (N), Hickey (O), Nipple (A) and Nut (P) to the center 1/4 IPS support pipe (M).
6. Pull the safety cable through Nipple (A) and exit at side of Hickey (O). Attach cable to a structural member.
7. Feed power wire from the ballast compartment on the frame, up through the fixture tube. Continue feeding wire through tube and swivel parts until it exits through the hickey (O).
8. Connect fixture wires to wires in the junction box with wire nuts.
9. Connect ground wire to ground screw or wire in the junction box.
10. Attach the Frame to the Center stem and secure with knurled Nuts (E)
11. Slip the Canopy (B) up to the ceiling and secure in place by threading swivel(C) onto the 1/4IPS pipe(A).
12. Attach the shade (H) to the frame by first installing the threaded rod (G) and lock with nut (F). Secure the shade with washer (I), nut (J), cover with Cap (K), and Decorative Nut (L).
13. Install the light bulb in accordance with the fixture's specifications.



### (DO NOT EXCEED THE MAXIMUM WATTAGE RATING!)

14. Install covers (Q) and secure with Thumb Screws (D).
15. Your installation is now complete. Return power to the junction box and test the fixture.