

INSTALLATION INSTRUCTION

SQUARE

FM-05SQ

WAC LIGHTING
Responsible Lighting®

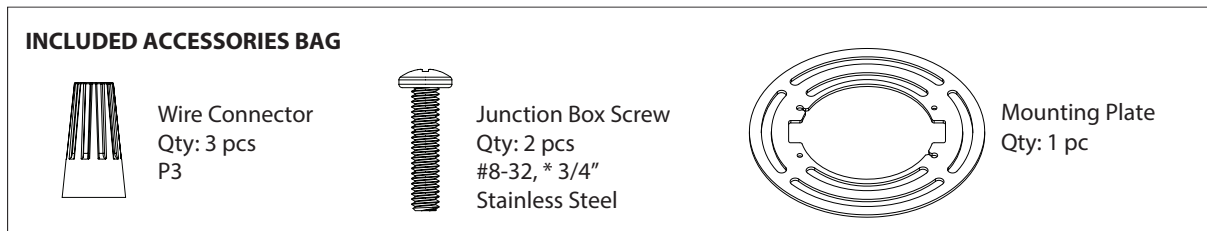
WARNING

IMPORTANT: NEVER attempt any work without shutting off the electricity.

- Read all instructions before installing.
- System is intended for installation by a qualified electrician in accordance with the National Electrical Code and local regulations.
- Go to the main fuse box, or circuit breaker. Place the main power switch in the "OFF" position and unscrew the fuse(s) or switch "OFF" the circuit breaker switch(es) that control the power to the fixture or room that you are working on.
- Place the wall switch in the "OFF" position.
- Supply conductors (Power Wires) Connecting the fixture must be rated minimum 90°C. If uncertain, consult an electrician.

CAUTIONS

- These luminaires (fixtures) are designed to meet the latest NEC requirements and are listed in full compliance with UL 1598.
- Before attempting installation, check your local electrical code, as it sets the wiring standards for your locality.



INSTALLATION

Uses 3" junction box, 4" junction box or a combination 3/0-4/0 electrical box.

1. Install the provided mounting plate to the junction box using the junction box screws.

Note: Carefully align the slots on the mounting plate with the direction you want your fixture to be in to prevent uneven installation.
2. Provide electrical service according to the "National Electrical Code" or your local electrical code to the outlet box.
3. Connect supply wires to fixture wires and insulate with proper wire nuts:

Connect incoming ground wire to mounting plate ground wire (green or bare).

Connect incoming common wire to fixture common (white).

Connect incoming hot wire to fixture black wire.
4. Raise the fixture to the junction box, guide the spring clips into the slots in the mounting plate and press the front of the fixture firmly at the clip locations to lock the fixture in place.

Note: To ensure an easier installation, press one side of the fixture in first until you hear a click, then repeat with the other side.
5. For outdoor wall installation, use clear caulking (i.e. indoor/outdoor silicone sealant) to outline the outside of the fixture where it meets the wall to prevent moisture from entering the outlet box and causing a short. Leave a space at the bottom to allow moisture to escape.

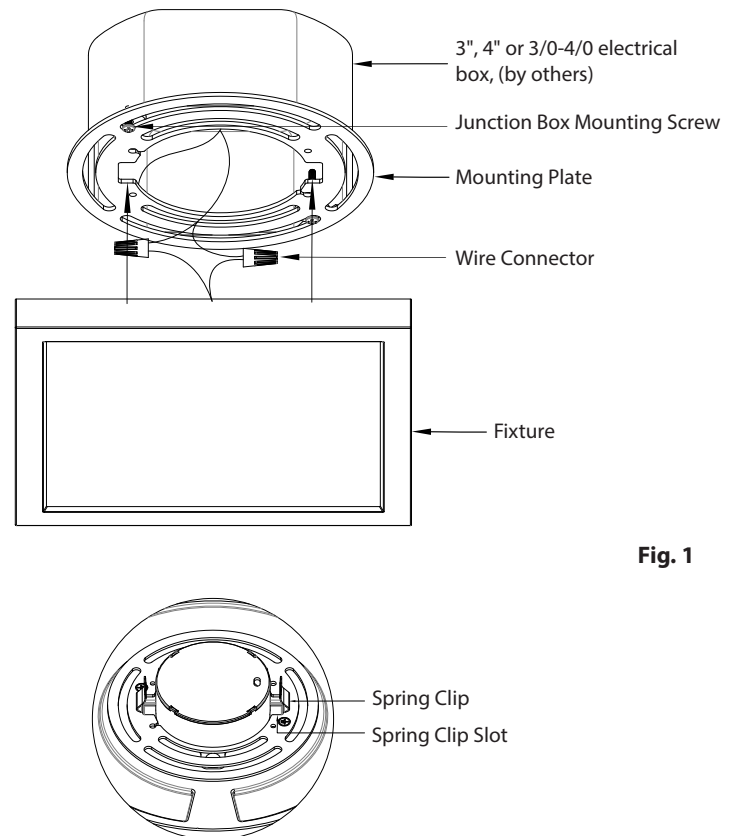


Fig. 1

Fig. 2 (back of the fixture once clipped into the mounting plate)

wacighting.com
Phone (800) 526.2588
Fax (800) 526.2585

Headquarters/Eastern Distribution Center
44 Harbor Park Drive
Port Washington, NY 11050

Central Distribution Center
1600 Distribution Ct
Lithia Springs, GA 30122

Western Distribution Center
1750 Archibald Avenue
Ontario, CA 91760