

INSTALLATION INSTRUCTIONS

969-LED Flush Mount

FM-96916/FM-96922/FM-96928

dweLED
by WAC Lighting

CAUTION: TO PREVENT ELECTRICAL SHOCK, ENSURE ELECTRICITY HAS BEEN TURNED OFF AT THE CIRCUIT BREAKER BEFORE BEGINNING.

- Read all instructions before installing.
- System is intended for installation by a licensed electrician in accordance with the National Electrical Code (NEC) and local regulations.
- When handling the fixture, do not apply pressure to the LEDs. Hold the fixture by the base only.
- Retain installation instructions for future maintenance reference.

WARNING: All parts must be used as indicated in these instructions. This product is designed for use only with the supplied parts and/or accessories designated for use by dweLED. Substitution of parts or accessories not designated for use with this product by dweLED could result in personal injury or property damage, and will void the warranty. Contact an authorized dealer or the manufacturer if any parts are damaged or missing.

MAINTENANCE NOTE: Coastal conditions may cause mineral and residue build-up on the fixture. We recommend that customers in coastal areas clean all external surfaces of the fixture once every two weeks with a wet cloth.

MISE EN GARDE: Pour éviter tout choc électrique, assurez-vous que le disjoncteur soit mis hors tension avant de commencer.

- Lisez toutes les instructions avant l'installation.
- Le système doit être installé par un électricien licencié conformément au code national de l'électricité (NEC), et également aux règlements locaux.
- Lors de la manipulation du luminaire, n'appuyez pas sur les LED. Tenez-le uniquement par la base.

ATTENTION: Toutes les pièces doivent être utilisées comme indiqué dans ces instructions. Ce produit est conçu pour être utilisé seulement avec les pièces et/ou accessoires fournis pour être utilisés avec les produits dweLED. Remplacer des pièces ou accessoires non conçus pour ce produit dweLED pourrait causer des dommages corporels ou matériels et pourrait également causer l'annulation de la garantie. Veuillez contacter un revendeur autorisé ou le fabricant si des pièces manquent ou sont endommagées.

NOTE D'ENTRETIEN: Les conditions côtières peut causer une accumulation de minéraux et de résidus sur le luminaire. Nous recommandons aux clients qui résident dans les zones côtières de nettoyer toutes les surfaces externes du luminaire une fois toutes les deux semaines avec un chiffon humide.

Hardware

A



Wire Connector
Qty: 3pcs+1Extra

B



Mounting Screw
Qty: 1 Extra

C



Wood Screw
Qty: 3pcs+1Extra

D



Plastic Anchor
Qty: 3pcs+1Extra

www.dweLED.com

Headquarters/Eastern Distribution Center

Central Distribution Center

Western Distribution Center

Phone (800) 526.2588

44 Harbor Park Drive

1600 Distribution Ct

1750 Archibald Ave

Fax (800) 526.2585

Port Washington, NY 11050

Lithia Springs, GA 30122

Ontario, CA 91761

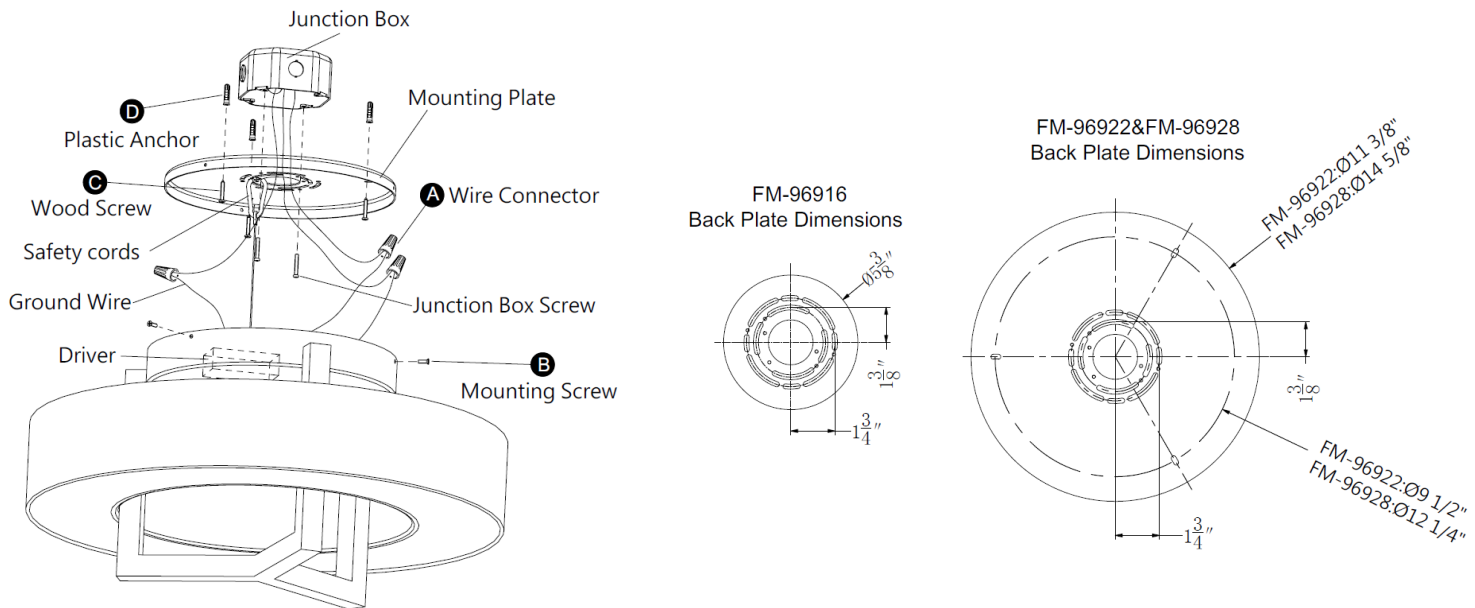
INSTALLATION INSTRUCTIONS

969-LED Flush Mount

FM-96916/FM-96922/FM-96928

dweLED
by WAC Lighting

Fig. 1



PREPARATION

1. Shut off the power at the circuit breaker and remove existing fixture, including the crossbar.
2. Carefully unpack your new fixture and lay out all the parts on a clear area. Be careful not to lose any small parts necessary for installation.

MOUNTING THE FIXTURE (Fig. 1)

3. Remove the mounting screw (B) and mounting plate from the fixture.
4. Drill holes in the wall aligned with the key holes located on the back plate, insert the plastic anchor (D),
NOTE: FM-96916 skips this step.
5. Secure the mounting plate to the junction box using the screws provided with the junction box. Fasten the back plate to the wall with the plastic anchors using the wood screws (C) provided.

NOTE: The side of the mounting plate marked "GND" must face out.

6. Hook the safety cord to the mounting plate.

CONNECTING THE WIRES (Fig. 2)

7. Connect the driver's input wires to junction box wires as shown (Fig. 2). Make sure that all wire connectors (A) are secure. If your outlet box has a green or bare copper ground wire, connect the fixture's ground wire to it. Otherwise, connect the fixture's ground wire directly to the back plate using the green screw provided. After wires are connected, tuck them carefully inside the junction box.

NOTE: This fixture features electronic low voltage (ELV) dimming capabilities.

www.dweLED.com

Headquarters/Eastern Distribution Center

Central Distribution Center

Western Distribution Center

Phone (800) 526.2588

44 Harbor Park Drive

1600 Distribution Ct

1750 Archibald Ave

Fax (800) 526.2585

Port Washington, NY 11050

Lithia Springs, GA 30122

Ontario, CA 91761

COMPLETING THE INSTALLATION

- Secure the fixture to the mounting back plate using the mounting screw (B).

NOTE: DIMMING WIRING INSTRUCTIONS (Fig.3)

- To utilize ELV or TRAIC dimming: use black (hot), white (neutral) and bare copper ground wires (ground).
- To utilize 0-10V dimming: use purple (dim+), gray (dim-), black (hot), white (neutral) and bare copper ground wires (ground).

Fig. 2 Wiring

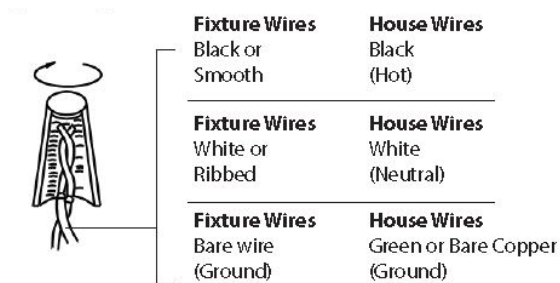
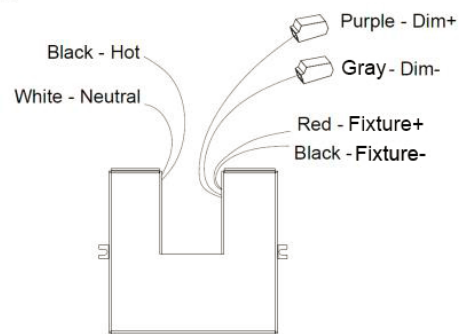


Fig.3



www.dweLED.com

Phone (800) 526.2588

Fax (800) 526.2585

Headquarters/Eastern Distribution Center

44 Harbor Park Drive

Port Washington, NY 11050

Central Distribution Center

1600 Distribution Ct

Lithia Springs, GA 30122

Western Distribution Center

1750 Archibald Ave

Ontario, CA 91761