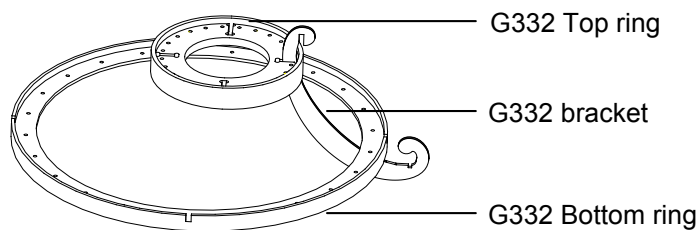


## INSTRUCTIONS:

### G332 Shade

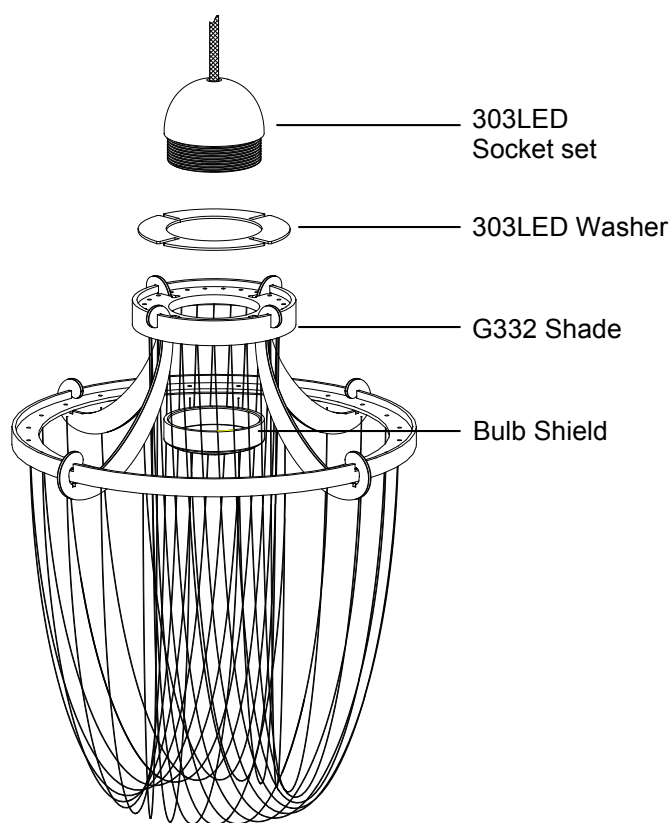
These shades can be installed using the QP-902 socket sets and 303LED socket sets. Consult instructions supplied with socket for detailed instructions.

Assembly G332 Shade:



Installing for 303LED socket sets:

1. Insert threaded 303LED socket through 303LED Washer and into top ring of shade.
2. Secure shade to socket by screwing on bulb shield from inside shade. Make sure the notches in the washer are aligned to the slots in the top ring of the shade.
3. Assemble shade by sliding brackets through the slots in the smaller ring and fitting onto the notches in the large ring. Twist the smaller top ring  $\frac{1}{4}$  turn offset from the larger ring for the crystal strands to gather into a more tapered profile (as seen in diagram).



Installing for QP-902 socket sets:

1. Screw on threaded 902-Plate 1 into the smaller top ring of shade. Make sure the notches in the plate are aligned to the slots in the top ring of the shade.
2. Assemble shade by first sliding brackets through the slots in the smaller top ring/plate and then fitting brackets onto the notches in the larger ring. Twist the smaller top ring  $\frac{1}{4}$  turn offset from the larger ring for the crystal strands to gather into a more tapered profile (as seen in diagram).
3. Lower shade onto socket set wire and shaft. Adjust bulb position by sliding the collar along the socket shaft to desired height for supporting shade. Tighten set screw in collar.

