

INSTALLATION INSTRUCTION

Vamp 202A Adjustable - HID Track Luminaire

WTK-HID202A, WHK-HID202A

WAC LIGHTING

Responsible Lighting®

WARNING

IMPORTANT: NEVER attempt any work without shutting off the electricity.

- Read all instructions before installing.
- System is intended for installation by a qualified electrician in accordance with the National Electrical Code and local regulations.
- Place the wall switch in the "OFF" position.
- Go to the main fuse box, or circuit breaker. Place the main power switch in the "OFF" position and unscrew the fuse(s) or switch "OFF" the circuit breaker switch(es) that control the power to the fixture or room that you are working on.

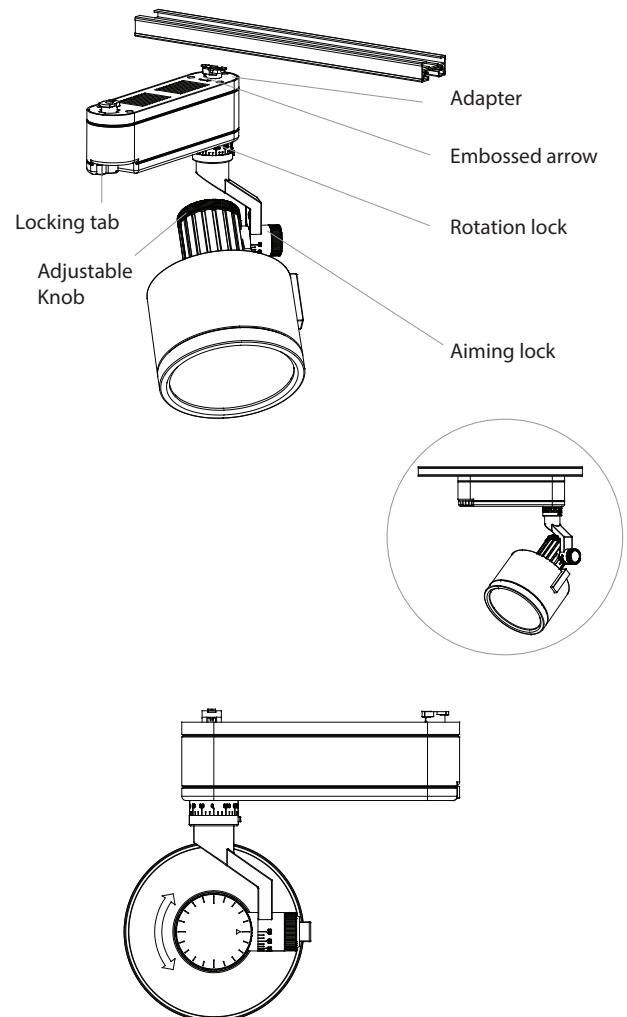
OVERVIEW:

Fixtures are designed for use on WAC Lighting's track systems.

LED TRACK FIXTURE	TRACK SYSTEMS
HTK-HID202A Series	H Track
LTK-HID202A Series	L Track
JTK-HID202A Series	J and J2 Track

INSTALLING ON TRACK:

1. Note the track has a groove running its length to indicate polarity.
2. Insert adapter into track slot and rotate it 90° the embossed arrow on the adapter should point to the grooved side of the track.
3. Push up and turn the locking tab into the lock position.
4. Removal is the reverse procedure. Tracks may be positioned anywhere along the track length.
5. Vertical and horizontal aiming have push lock buttons to secure settings.



ADJUSTABLE BEAM ANGLE:

The adjustable knob can rotate 360°. Follow the knob rotate, the beam of the fixture can adjust from 15° to 35°.

WAC Lighting

www.waclighting.com

Phone (800) 526.2588 • Fax (800) 526.2585

Headquarters/Eastern Distribution Center

44 Harbor Park Drive • Port Washington, NY 11050

Phone (516) 515.5000 • Fax (516) 515.5050

Western Distribution Center

1750 Archibald Ave • Ontario, CA 91761

Phone (800) 526.2588 • Fax (800) 526.2585

INSTALLATION INSTRUCTION

Vamp 202A Adjustable - HID Track Luminaire

WTK-HID202A, WHK-HID202A

WAC LIGHTING

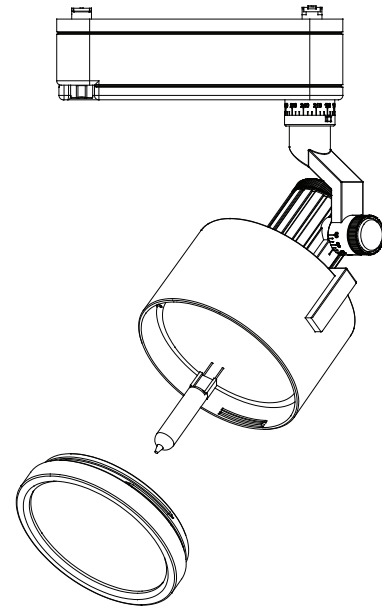
Responsible Lighting®

RE-LAMPING:

1. Use appropriate protection when handling hot lamps.
2. Turn power off at main switch.
3. Turn lens cap counterclockwise to remove.
4. Grasp lamp with a clean cloth and pull straight out to remove.
5. For JTK-HID202A-20E / LTK-HID202A-20E and HTK-HID202A-20E Use T4 metal halide G8.5 base lamps 20W only.
6. For JTK-HID202A-39E / LTK-HID202A-39A and HTK-HID202A-39E
7. Use T4 metal halide G8.5 base lamps 39W only.
8. For JTK-HID202A-70E / LTK-HID202A-70E and HTK-HID202A-70E
9. Use T4 metal halide G8.5 base lamps 70W only.
10. Installation is the reverse procedure.

NOTE:

Metal halide lamps require several minutes of operation to reach full brightness. If power is interrupted lamps will take several minutes to re-strike. This is a normal characteristic of metal halide lamps.



WAC Lighting
www.waclighting.com
Phone (800) 526.2588 • Fax (800) 526.2585

Headquarters/Eastern Distribution Center
44 Harbor Park Drive • Port Washington, NY 11050
Phone (516) 515.5000 • Fax (516) 515.5050

Western Distribution Center
1750 Archibald Ave • Ontario, CA 91761
Phone (800) 526.2588 • Fax (800) 526.2585