

WARNING

IMPORTANT: NEVER attempt any work without shutting off the electricity.

- Read all instructions before installing.
- System is intended for installation by a qualified electrician in accordance with the National Electrical Code and local regulations.
- Place the wall switch in the "OFF" position.
- Go to the main fuse box, or circuit breaker. Switch "OFF" the circuit breaker switch(es) that control the power to the fixture or room that you are working on.

AVERTISSEMENT

IMPORTANT : Coupez l'électricité avant TOUTE manipulation.

- Lisez toutes les instructions avant d'installer.
- Système est destiné à être installé par un électricien qualifié en conformité avec le code national de l'électricité et les règlements locaux.
- Placez l'interrupteur mural en position d'arrêt (« OFF »).
- Accédez au panneau central de disjoncteurs ou de fusibles de votre demeure et placez l'interrupteur principal en position d'arrêt (« OFF »).

All parts must be used as indicated in these instructions. Do not substitute any parts, leave parts out, or use any parts that are worn out or broken. Failure to follow this instruction could invalidate the ETL/CETL listing of this fixture.

OVERVIEW:

Fixtures are designed for use on WAC Lighting's HM1 series Flexrail1™ system only.

INSTALLING ON TRACK:

1. Unscrew the cap ring from the rail adapter. **Fig.1**
2. Align contact points of the adapter to the rail.
3. Insert the open end of the rail adapter into the rail, aligning plastic hump in rail adapter to wider groove of the rail.
4. Place the cap ring back onto the rail adapter and screw tight.
5. After the rail adapter is installed, rotate the luminaire body horizontally or vertically to aim properly. **Fig.2**

FIG.1

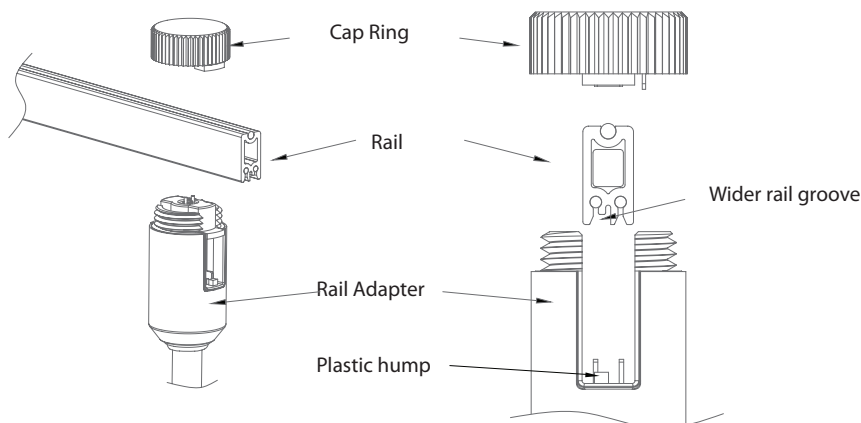
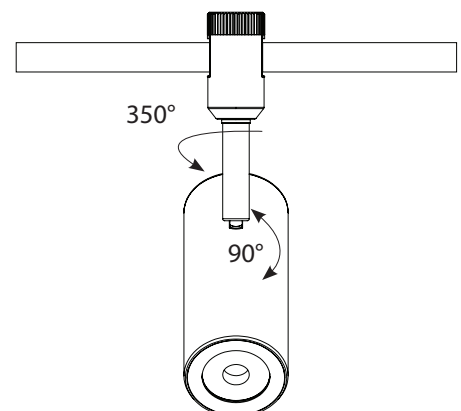


FIG.2



Note: All parts must be used as indicated in these instructions. Do not substitute any parts, leave parts out, or use any parts that are worn out or broken. Failure to follow this instruction could invalidate the UL/CUL listing of this fixture.

REPLACING TIR LENS :

1. Use a screw-driver or finger nail on inside lips to gently pull out the front cap of the fixture. **Fig.3**
2. Use a flat-tip screw-driver and gently pry in lens holder removal slot to remove lens holder. **Fig.4**
3. Replace the Lens with the desired one.
4. Align plastic tabs and reinstall lens holder on securely. Ensure silicone guide is in place. **Fig.5**
5. Reinstall front cap

Fig.3

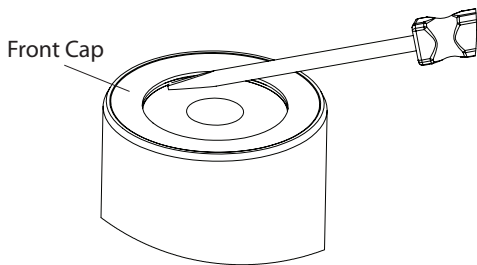


Fig.4

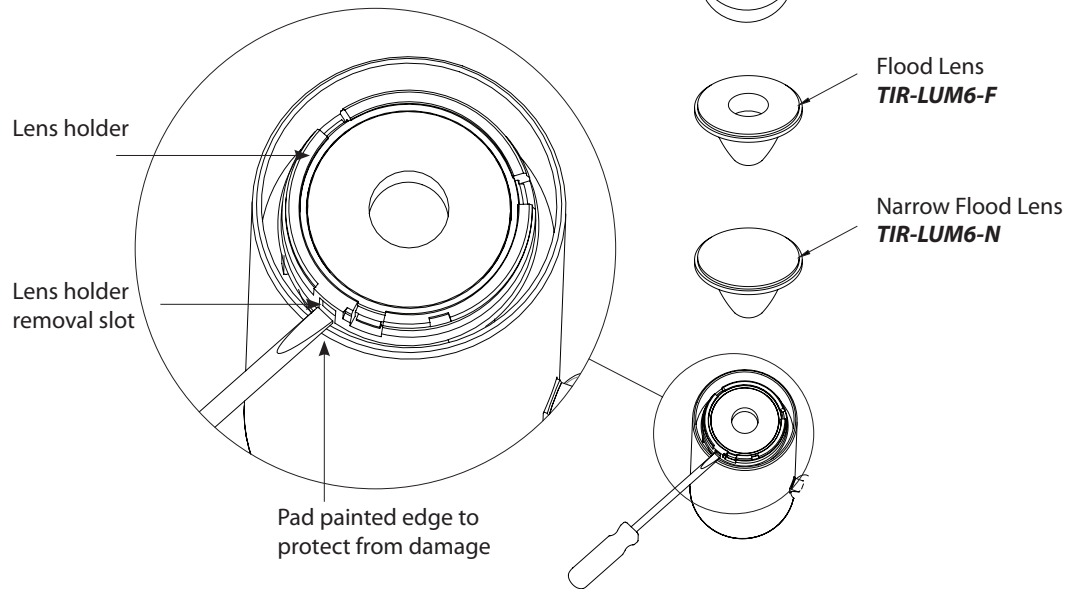
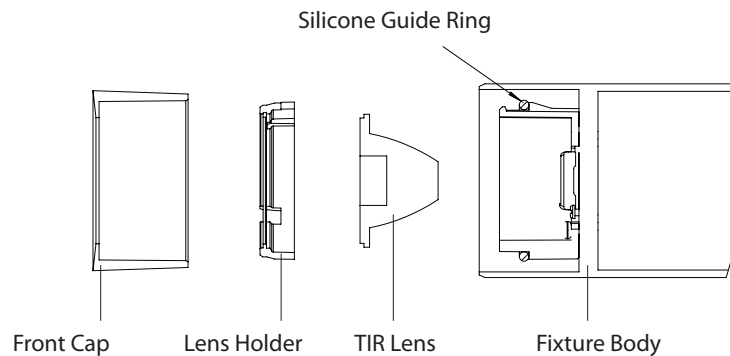


Fig.5



ACCESSORIES :

1. Use a screw-driver or finger nail to gently remove the front cap of the fixture. **Fig.6**
2. Install the accessory into the front cap. Note: accepts one lens or one glare control accessory. **Fig.7**
3. Reinstall the front cap onto the fixture. Note: front cap will protrude off front of fixture the thickness of the accessory base. **Fig.8**

Fig.6

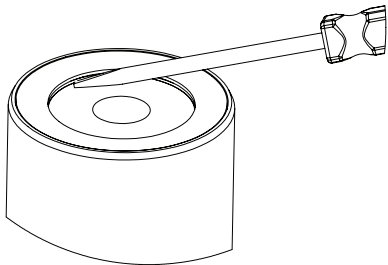


Fig.7

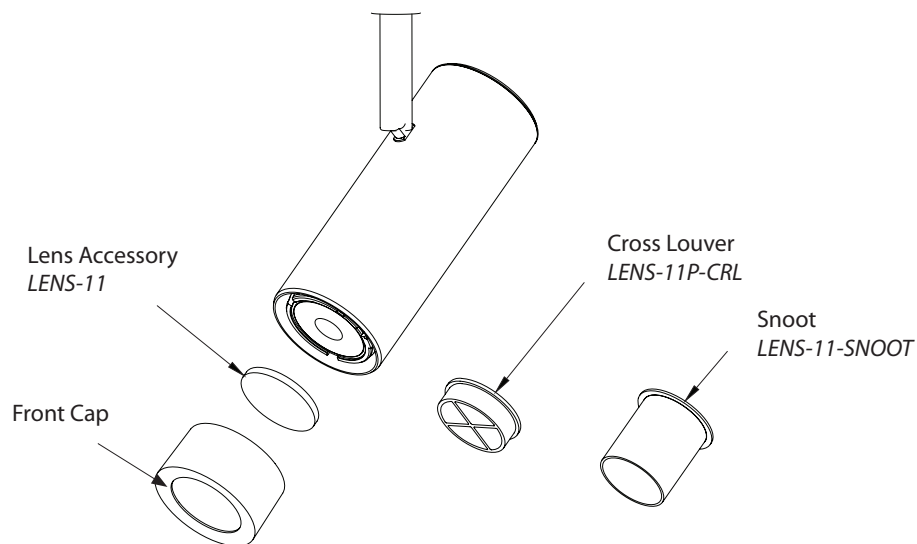


Fig.8

