

INSTALLATION INSTRUCTION

Tesla 2" LED - Remodeling Housing

HR-2LED-R09D-A

WAC LIGHTING
Responsible Lighting®

SAFETY INSTRUCTION

IMPORTANT: NEVER attempt any work without shutting off the electricity.

- Read all instructions before installing.
- For installation by a qualified electrician.
- System is intended for installation in accordance with National Electric Code, and local regulations. Consult with local inspector to assure compliance.
- To reduce the risk of fire, electrical shock and injuries to persons, turn off power at main switch before installing or modifying the system.
- Warning: (Risk of fire) do not install insulation within 3 inches of fixture sides, or junction box, or in a manner to entrap heat.
- Retain instructions for future maintenance reference.

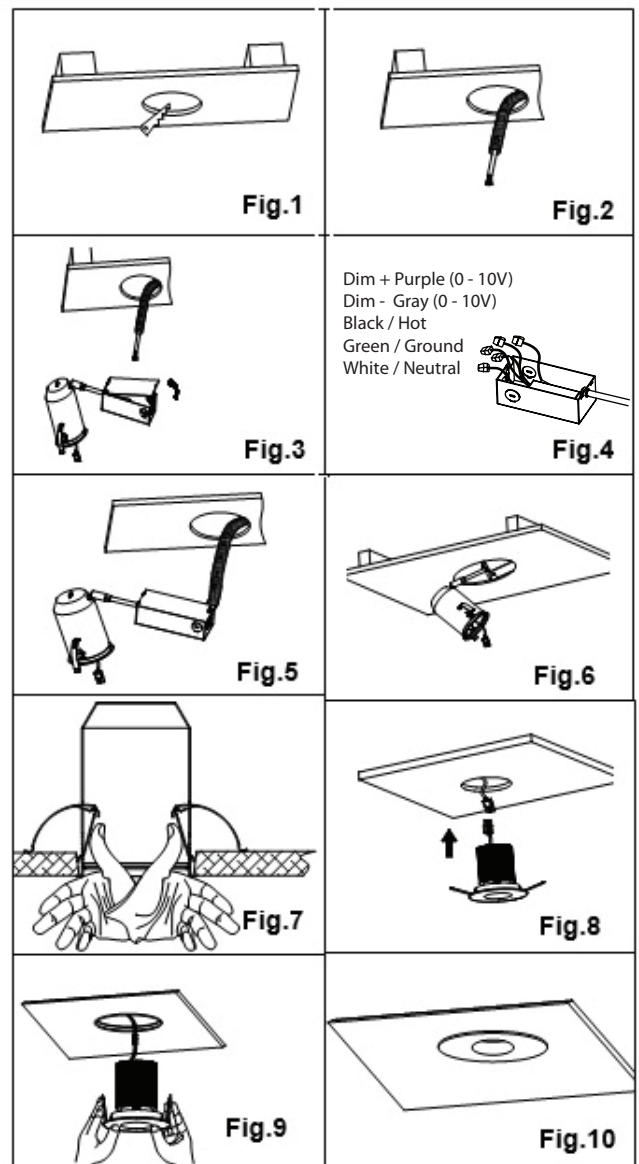
OVERVIEW

It is a remodel housing, Non-IC type. Housing requires a trim from the HR-2LED-*, HR2LEDT* series.

May be used with an electronic low voltage dimmer.

HOUSING INSTALLATION:

1. Cut out a hole 3 7/8" in the existing ceiling (as **Fig. 1**).
2. Pull ceiling wire through the hole (as **Fig. 2**).
3. Junction box is suitable for chain wiring of multiple fixtures and is supplied with a spring latch door, and three trade size knockouts connectors.
4. Remove fixture junction box door and connect fixture wires to building wires: insert each supply wire into appropriate junction box connector. This fixture features electronic low voltage (ELV) or 0-10V dimming capabilities. To utilize ELV, wire black (line hot) and white (line neutral) in accordance to dimmer specifications. To utilize 0-10V dimming, wire purple (dim+), gray (dim-), black (line hot), white (line neutral) in accordance to dimmer specifications. Green fixture wire to ground (as **Fig. 3** and **Fig. 4**).
5. Place all wiring and connectors back in wiring box and replace junction box door (as **Fig. 5**).
6. Push the housing up through the hole (as **Fig. 6**).
7. Push clips to secure the fixture. Note: 1 inch maximum ceiling thickness (as **Fig. 7**).
8. Push the trim assembly up until the trim ring is flush to the ceiling (as **Fig. 8**, **Fig. 9** and **Fig. 10**).



waclighting.com
Phone (800) 526.2588
Fax (800) 526.2585

Headquarters/Eastern Distribution Center
44 Harbor Park Drive
Port Washington, NY 11050

Central Distribution Center
1600 Distribution Ct
Lithia Springs, GA 30122

Western Distribution Center
1750 Archibald Avenue
Ontario, CA 91760

INSTALLATION INSTRUCTION
Tesla 2" LED - Remodeling Housing
HR-2LED-R09D-A

WIRING DIAGRAM:

