

INSTALLATION INSTRUCTION

4" Low Voltage - Non-IC New Construction

Magnetic HR-8402HL

WAC LIGHTING
Responsible Lighting®

SAFETY INSTRUCTION

IMPORTANT: NEVER attempt any work without shutting off the electricity.

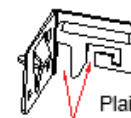
- Read all instructions before installing.
- For installation by a qualified electrician.
- System is intended for installation in accordance with National Electric Code, and local regulations. Consult with local inspector to assure compliance.
- To reduce the risk of fire, electrical shock and injuries to persons, turn off power at main switch before installing or modifying the system.
- Warning: (Risk of fire) do not install insulation within 3 inches of fixture sides, or junction box, or in a manner to entrap heat.
- Retain instructions for future maintenance reference.

OVERVIEW

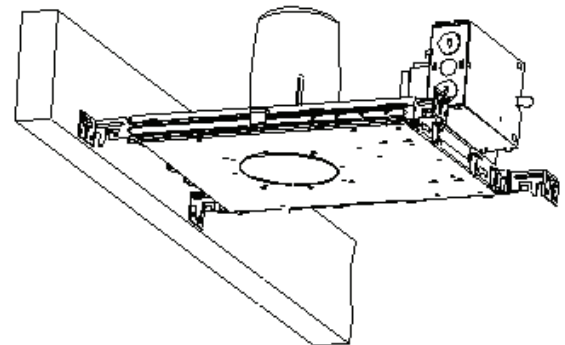
Housing is non-insulation, new construction type, and 75 watts maximum. Housing requires a trim from the HR-D8400 series, and lamp to be complete (ordered separately). If dimming, requires a magnetic dimmer switch.

MOUNTING:

1. Housing is supplied with two hanger bars, (25" max). Bars mount on all four sides, and are ruled for convenience. Hanger bars are notched on the ends to fit over "T" bars in suspended ceilings. A locking tab may be bent under the lip of the "T" bar or it can be secured with screws.
2. Align the bottom of the hanger bar with the bottom of the wood joist.
3. Use mounting spikes to temporarily hold the housing, then secure with screws or nails.
4. Junction box is suitable for branch wiring and is supplied with trade size knockouts and integral Romex® connectors.
5. For Romex, pry open the knock out and push the wire through the clamp plate inside.
6. Wire connections must be installed in a manner that does not interfere with the strain relief action of the clamp.



Plain or locking slots for "T" bars

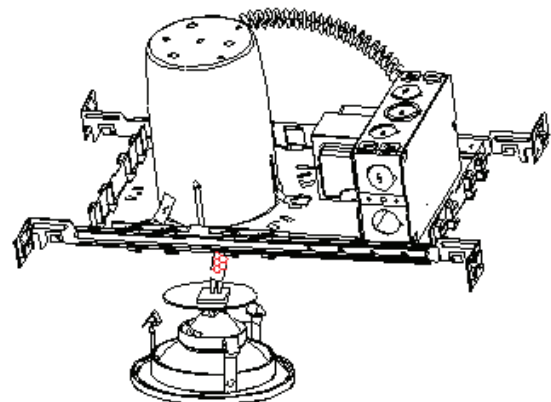


WIRING:

1. Remove spring latched junction box door and connect fixture wires to building wires: Green ground wire to bare copper or green building wire, white fixture wire to white neutral wire, black fixture wire to (hot) black wire. Use wire nuts (supplied).
2. Replace junction box door.

FINISHING:

1. Socket wire is sufficient in length to be attached to the pins of the lamp before it is inserted.
2. Push the trim assembly up until the trim ring is flush to the ceiling.



WAC Lighting
www.waclighting.com
Phone (800) 526.2588 • Fax (800) 526.2585

Headquarters/Eastern Distribution Center
44 Harbor Park Drive • Port Washington, NY 11050
Phone (516) 515.5000 • Fax (516) 515.5050

Western Distribution Center
1750 Archibald Ave • Ontario, CA 91761
Phone (800) 526.2588 • Fax (800) 526.2585