

INSTALLATION INSTRUCTION  
**Argos LEDme® Track Luminaires**  
H-LED25, L-LED25, J-LED25

WAC LIGHTING  
Responsible Lighting®

**IMPORTANT SAFETY INSTRUCTIONS**

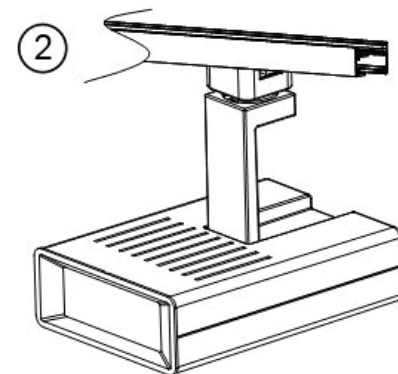
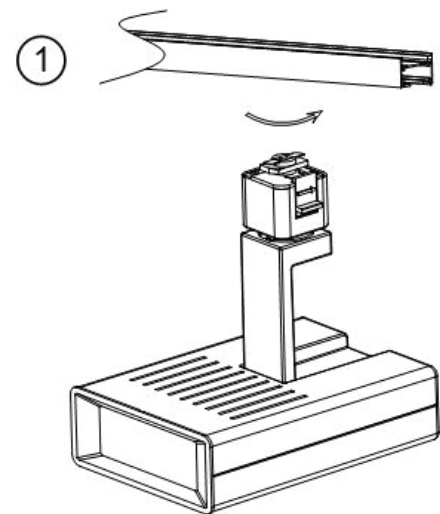
- Read and follow these warnings and instructions before installing or maintaining this product.
- System is intended for installation by a qualified electrician in accordance with the National Electrical Code and local regulations.
- Do not install this product in damp or wet locations.
- Do not install any part of a track system less than 5 feet above the floor.
- Do not install any fixture assembly closer than 6 inches from any curtain, or similar combustible material.
- Turn off power prior to any work on the track, system or product.

**FIXTURE INSTALLATION:**

Fixtures are designed for use on WAC Lighting's track systems as follow:

LED TRACK FIXTURE	TRACK SYSTEMS
J-LED20 Series	J and J2 Track
H-LED20 Series	H Track
L-LED20 Series	L Track

1. Note the track has a groove running its length to indicate polarity.
2. Note the arrow on the locking tab.
3. Insert adapter into track slot and rotate it 90°. The arrow should point to the grooved side of the track.
4. Make sure the locking tab seats in the track slot.
5. Reverse procedure to remove. Track heads may be positioned anywhere along the track length.



WAC Lighting  
www.waclighting.com  
Phone (800) 526.2588 • Fax (800) 526.2585

Headquarters/Eastern Distribution Center  
44 Harbor Park Drive • Port Washington, NY 11050  
Phone (516) 515.5000 • Fax (516) 515.5050

Western Distribution Center  
1750 Archibald Ave • Ontario, CA 91761  
Phone (800) 526.2588 • Fax (800) 526.2585