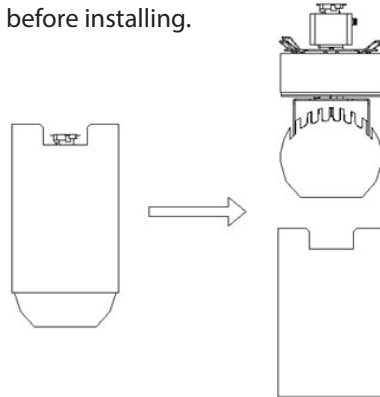


CAUTION

- Read all instructions before installing.
- For use with WAC "J", "J2", "L", & "H" track systems. Fixture may also be used on other manufacturers' brands of track. (Consult factory for compatibility).

INSTALLATION ON TRACK:

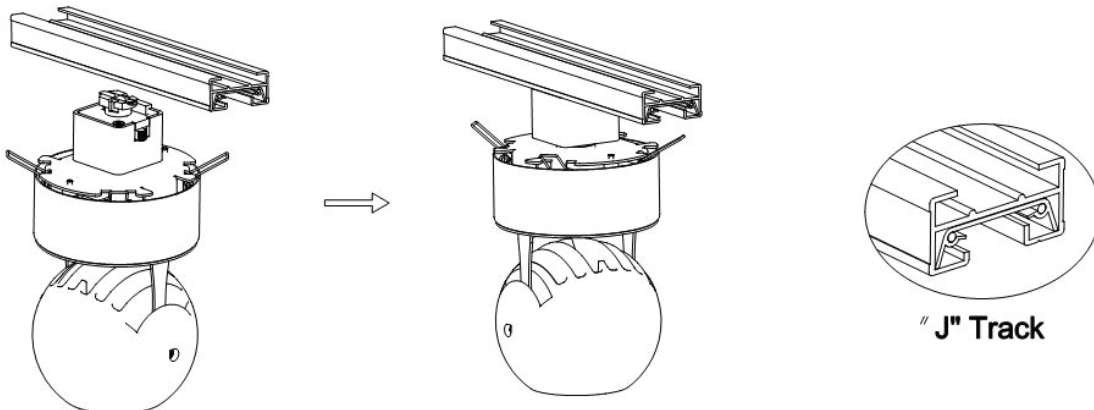
Step 1: Remove the cylinder from the fixture before installing.



STEP 2A:

FIXTURE INSTALLATION FOR J-LED610

1. Fixtures are designed for use on "J" series WAC. Lighting track only. They may also be used on other manufacturers' brands of track. (Consult factory for compatibility)
2. Note: The track has a groove running its length to indicate polarity, and the locking tab has an arrow indicating locking direction.
3. Insert adapter into track slot and rotate it 90°. The "P" contact and arrow of the locking tab should point to the grooved side of the track.
4. Make sure the locking tab seats properly in the track slot.
5. Track fixtures may be positioned anywhere along the track.

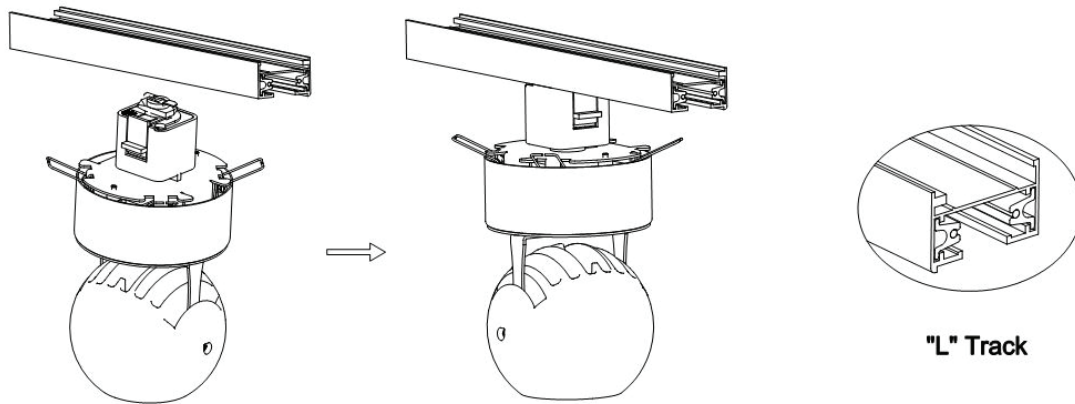


" J" Track

STEP 2B:

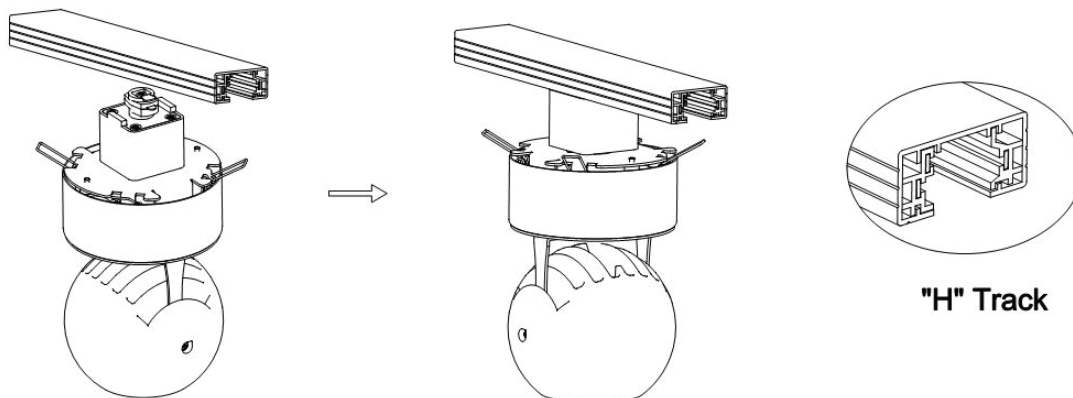
FIXTURE INSTALLATION FOR L-LED610

1. Fixtures are designed for use on "L" series WAC. Lighting track only. They may also be used on other manufacturers' brands of track. (Consult factory for compatibility)
Note: The track has a ridge running its length to indicate polarity, and the locking tab has a slant for easy installation.
2. Insert adapter into track slot and rotate it 90°, so that the low side of the locking tab faces the ridged side of the track.
3. Make sure the locking tab seats properly in the track slot.
4. Track fixture may be positioned anywhere along the track.



STEP 2C:
FIXTURE INSTALLATION FOR H-LED610

1. Fixtures are designed for use on "H" series WAC. Lighting track only. They may also be used on other manufacturers' brands of track. (Consult factory for compatibility)
Note: The track has a groove running its length to indicate polarity, and the locking tab has contacts which are inserted into this groove.
2. Insert adapter into track slot, the two contacts should be positioned so that when rotated it 90°, they will face the grooved of the track. (This is the side with two flat copper wires running its length)
3. Make sure the locking tab seats properly in the track slot.
4. Reverse procedure to remove. Track heads may be positioned anywhere along the track.



STEP 3: Replace the cylinder onto the fixture.

