

# INSTALLATION INSTRUCTION

## Solorail™ - Wall Mount Support Bracket

### LM-OW

WAC LIGHTING  
Responsible Lighting®

#### CAUTION:

- Read all instructions.
- Turn off power at main switch before installing or modifying the system.
- Do not install the system:
  - Within six inches of any curtain or combustible materials
  - Less than 5 feet above a floor
  - In a damp or wet location
  - Concealed, or extended through building walls.
- After first 1/2 hour of operation, switch off and check all connections for excessive heat.
- Loose connections must be tightened to prevent overheating which can damage the system and pose a potential fire hazard. Do not over tighten.
- Intended for installation by a qualified electrician.

#### OVERVIEW:

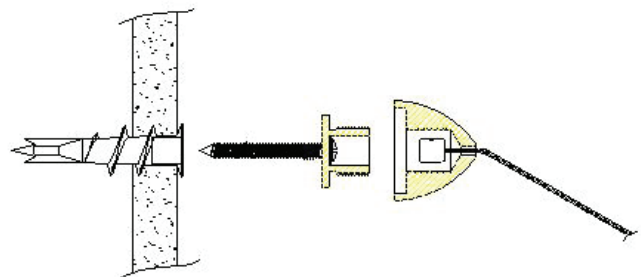
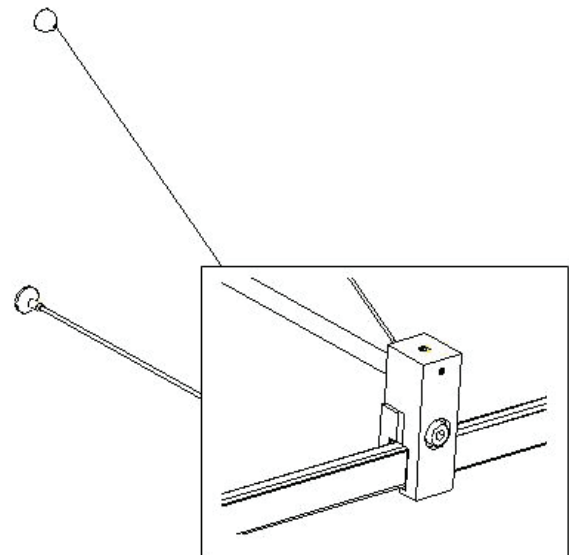
The out-rigger bars hold low volt monorail out from a wall surface. They are supplied in a standard length of 24" and may be field shortened. Aircraft cable is supplied with each out-rigger sufficient in length to form a 30 deg. angle. The cable may also be cut in the field.

#### WALL STAND OFF MOUNT:

1. Position rod standoff base at the same level as the rail.
2. Install wallboard anchor, then tread the screw through the base & into the anchor.
3. Thread the rod into the standoff base.
4. Install the cable base as described below (see securing cable to drywall).
5. At the rail end, loosen the setscrew in the adapter, so there is sufficient clearance to slip the monorail between the two halves.
6. Gently seat the rail in position and tighten the setscrew, making sure the rubber separator stays in position.

#### SECURING CABLE TO DRYWALL:

1. Sufficient cable length is provided to mount cable base at a 30-degree angle.
2. For maximum strength, position the base on the wall as high as possible from the rod. No need to work under tension, you will be able to adjust the cable tension after mounting.
3. Install wallboard anchor. Place a screw in the wall base and thread into the wallboard anchor until flush.
4. Thread the cable base clockwise to the wall base until flush with the wall.



WAC Lighting  
www.waclighting.com  
Phone (800) 526.2588 • Fax (800) 526.2585

Headquarters/Eastern Distribution Center  
44 Harbor Park Drive • Port Washington, NY 11050  
Phone (516) 515.5000 • Fax (516) 515.5050

Western Distribution Center  
1750 Archibald Ave • Ontario, CA 91761  
Phone (800) 526.2588 • Fax (800) 526.2585