

# INSTALLATION INSTRUCTION

## Duorail™ - Cable Suspension Kits

LM2-CS

WAC LIGHTING  
Responsible Lighting®

### CAUTION:

- Always turn off power at main switch prior to installation to prevent electrical shock.
- Have wiring checked by a qualified electrician.

### OVERVIEW:

Cable suspensions provide mechanical support for duo rail. Thin steel cables are fully adjustable.

Cables do not carry current to the rail. To feed power, order a power feed canopy part No. LM2-PCS (sold separately).

Generally, rail should be supported every 42". Bends will require more supports.

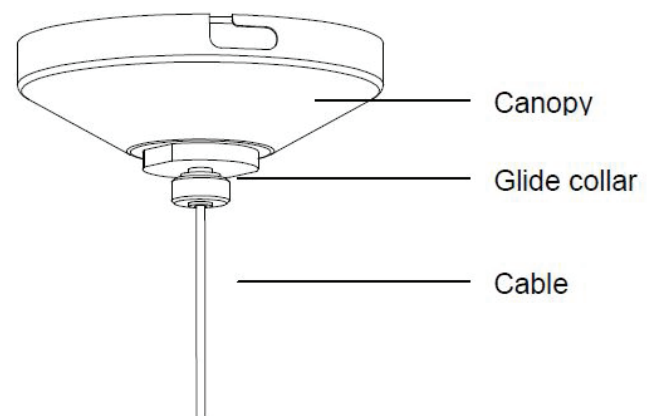
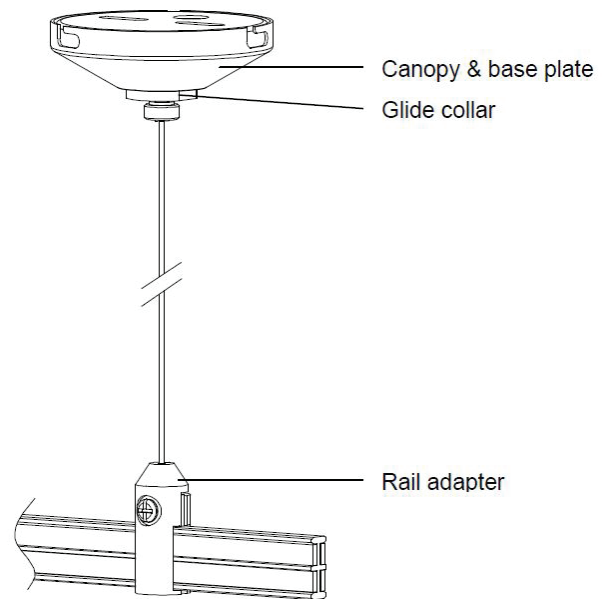
### MOUNTING:

1. Assemble rail layout at floor level and use a plumb line to mark the ceiling for support canopy locations.
2. Do not install cables on to rails yet.
3. Loosen the three canopy screws and separate the canopy from the base plate.
4. Attach the base plate to the mounting surface.
5. Fit the canopy to the base plate, and tighten the three screws loosened earlier.
6. Loosen the setscrew on the rail adapter.
7. Raise the rail and fit it between adapter halves, then tighten the setscrew.

### ADJUSTMENT:

1. The cable height can be easily adjusted by first unscrewing the glide collar a few turns, and then pushing it upward.
2. The cable will glide freely. Excess cable is pushed into the canopy.
3. Once released, it will hold fast. Screw the glide collar back until snug.

Retain instructions for future reference



WAC Lighting  
www.waclighting.com  
Phone (800) 526.2588 • Fax (800) 526.2585

Headquarters/Eastern Distribution Center  
44 Harbor Park Drive • Port Washington, NY 11050  
Phone (516) 515.5000 • Fax (516) 515.5050

Western Distribution Center  
1750 Archibald Ave • Ontario, CA 91761  
Phone (800) 526.2588 • Fax (800) 526.2585