

INSTALLATION INSTRUCTION

Low Voltage LED MR16 Flexible Spot Lights

MM-204

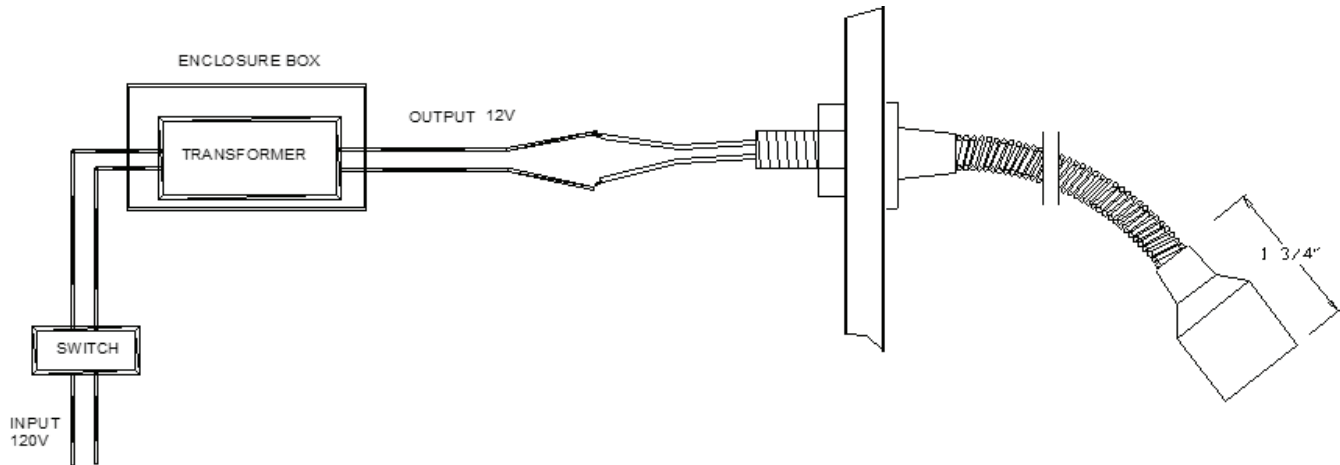
WAC LIGHTING

Responsible Lighting®

SAFETY INSTRUCTION

A qualified electrician must install fixture only. Fixture is intended for installation in accordance with National Electric Code, local and Federal code specifications. To reduce the risk of fire, electrical shock and injuries to persons:

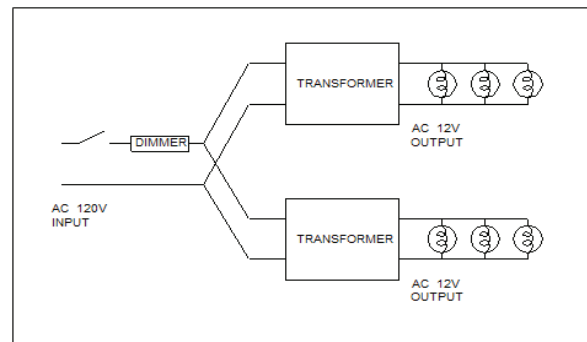
- Disconnect Power at electrical panel before servicing.
- Use only insulated staples or plastic ties to secure cords.
- Route and secure cords so they will not be pinched or damaged.
- Surface mount fixture.
- Requires access from behind the surface



SURFACE MOUNT

- Fixture attaches to surface by a 1/2" diameter threaded tube, secured by a lock nut on the rear of the surface.
- Use MR11G or MR16G covered glass lamps. The "LENS-16-CLIP" May be used with an open MR16 in conjunction with an accessory lens.
- Drill a hole sufficient to pass the threaded tube through.
- Place the fixtures and wires through and tighten nut from the reverse side.
- Connect socket wires to the output wires from a 12 volt transformer.

WIRING MULTIPLE TRANSFORMERS



VOLTAGE DROP GUIDELINE

WIRE SIZE	20W	40W	60W
18 gauge	8'	8'	6'
16 gauge	12'	12'	10'
14 gauge	16'	16'	14'
12 gauge	20'	20'	18'

WAC Lighting
www.waclighting.com
Phone (800) 526.2588 • Fax (800) 526.2585

Headquarters/Eastern Distribution Center
44 Harbor Park Drive • Port Washington, NY 11050
Phone (516) 515.5000 • Fax (516) 515.5050

Western Distribution Center
1750 Archibald Ave • Ontario, CA 91761
Phone (800) 526.2588 • Fax (800) 526.2585

INSTALLATION INSTRUCTION

Low Voltage LED MR16 Flexible Spot Lights

ME-204

WAC LIGHTING

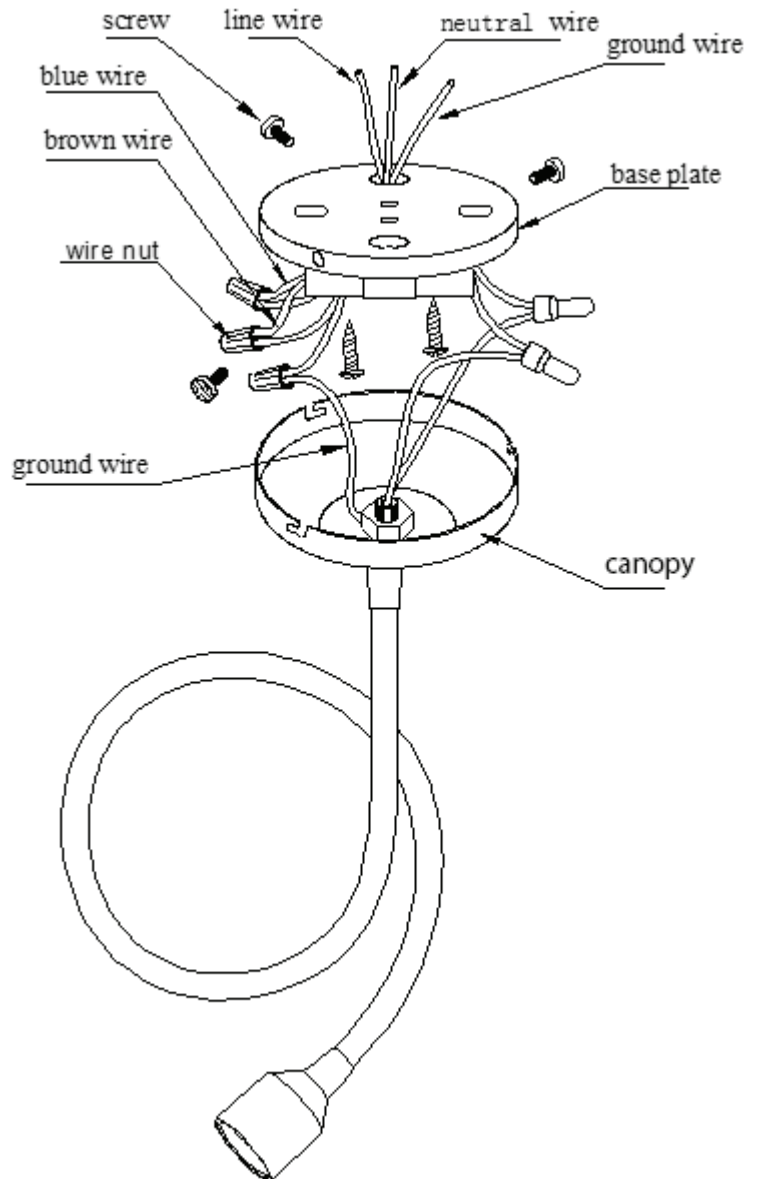
Responsible Lighting®

SAFETY INSTRUCTION

- Always turn off power at fuse box prior to installation to prevent electrical shock.
- For installation by a qualified electrician.

TO HARD WIRE:

1. Loosen the three canopy screws twist and separate the canopy cover from the base plate.
2. Remove knock out from the base plate.
3. Guide the input wires through the knock out and into the base plate.
4. Attach the base plate to the surface using slotted holes.
5. Connect with like colored line volt wires from the input wires to transformer wires, with wire nuts (supplied).
6. Connect green grounding wire from input wires to green wire from fixture.
7. Mount the canopy to the base plate by twisting key holes over three screws in base plate.
8. Tighten screws to secure canopy.



WAC Lighting
www.waclighting.com
Phone (800) 526.2588 • Fax (800) 526.2585

Headquarters/Eastern Distribution Center
44 Harbor Park Drive • Port Washington, NY 11050
Phone (516) 515.5000 • Fax (516) 515.5050

Western Distribution Center
1750 Archibald Ave • Ontario, CA 91761
Phone (800) 526.2588 • Fax (800) 526.2585