

# INSTALLATION INSTRUCTION

## Super Ego - Low Voltage Quick Connect™ Fixtures

### QF-183

WAC LIGHTING  
Responsible Lighting®

#### INSTRUCTIONS PERTAINING TO A RISK OF FIRE, OR INJURY

IMPORTANT: NEVER attempt any work without shutting off the electricity.

- Lighted lamp is HOT!
- WARNING- To reduce the risk of FIRE OR INJURY:
- Turn off all power and allow to cool before replacing lamp.
- Lamp gets HOT quickly! Contact only switch/plug when turning on.
- Do not touch lens, guard, or enclosure.
- Keep away from materials that may burn.
- Do not touch the lamp at any time. Use a soft cloth.  
Oil from skin may damage lamp.
- Do not operate the luminaire with a missing lens or damaged shield.
- Save these instructions.

#### OVERVIEW

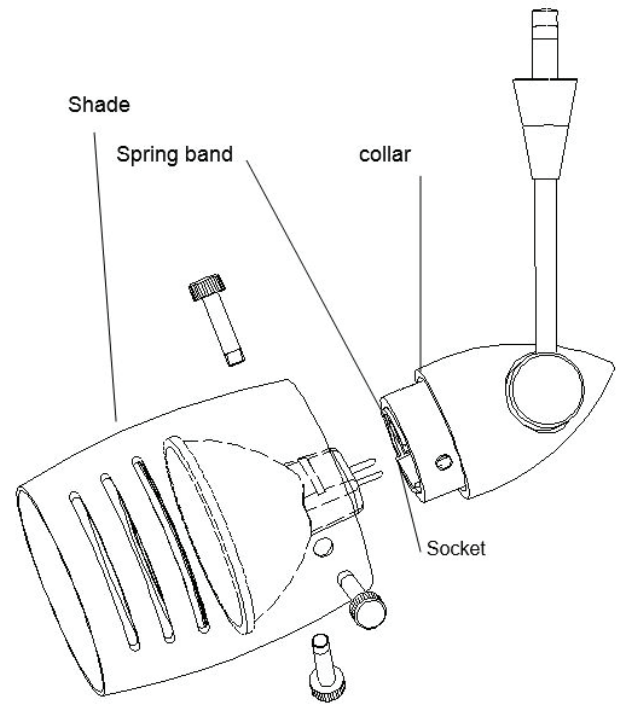
Fixtures are designed for use with all WAC quick connect adapters. They may also be used on other manufacturers brand of quick connect (consult factory for compatibility). This fixture may be mounted to Solorail, Monopoints, or standard track, by coupling to a female quick connect adapter. The fixture is compatible with various metal and glass shade choices (see below).

#### INSTALLING LAMP & G183 SHADE (INCLUDED):

1. Place the metal collar over the spring band.
2. Insert the lamp into the fixture by aligning the pins with the socket holes, and gently pushing until lamp seats.
3. Use an MR16-G (glass covered lamp)  
75 watt max (12 or 24 volt depending on power supply).
4. Hold the shade over the collar and insert three screws through the shade holes and into the collar.
5. Fixture may also be used with 50W Xenon bi-pin lamp.

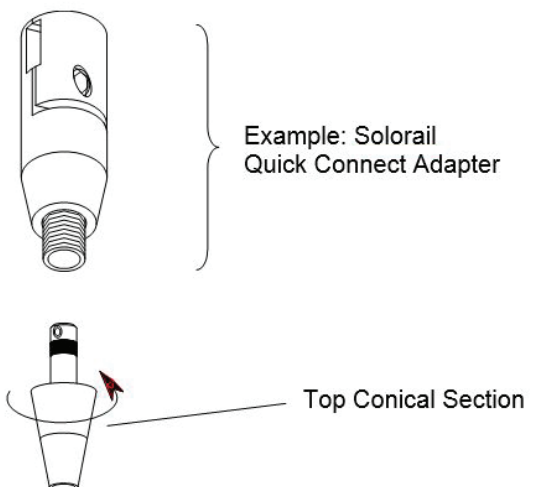
#### INSTALLING THE QUICK CONNECT:

1. Insert the post of the quick connect into the quick connect adapter.
2. Thread the top half of the conical section until it seats with the adapter.
3. Adjust fixture position, use caution not to loosen the conical section.



Shown above with the G183 shade

#### Installing to quick connect adapter



WAC Lighting  
www.waclighting.com  
Phone (800) 526.2588 • Fax (800) 526.2585

Headquarters/Eastern Distribution Center  
44 Harbor Park Drive • Port Washington, NY 11050  
Phone (516) 515.5000 • Fax (516) 515.5050

Western Distribution Center  
1750 Archibald Ave • Ontario, CA 91761  
Phone (800) 526.2588 • Fax (800) 526.2585