

INSTALLATION INSTRUCTION
500 Series LED Quick Connect™ Socket Set
 QP-LED503, MP-LED503

WAC LIGHTING
 Responsible Lighting®

OVERVIEW:

Socket Set 503LED is designed for use with WAC MP-LED05M and all WAC quick connector.

Model MP-LED503 is same with Socket Set and

Model QP-LED503 is similar with Socket Set except for provided with a quick connector.

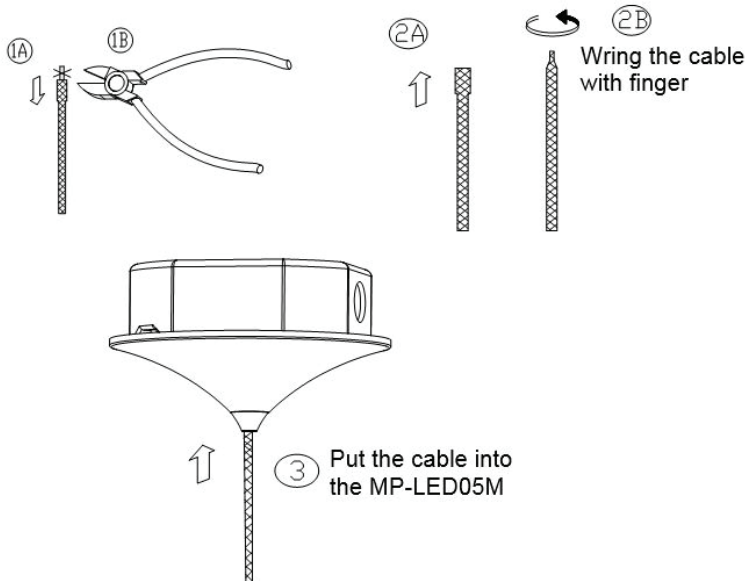
Model MP-LED503 is designed for use with WAC power unit MP-LED05M, model QP-LED503 is designed for use with WAC the track system (LM, HM1, LM2, JT, LT, HT) by quick connect adapters.

INSTALLING SHADE:

1. Position Socket Set 503LED so that threads through the hole in the shade and screw on Ring from below by finger or Ring Tool. (See diagram).

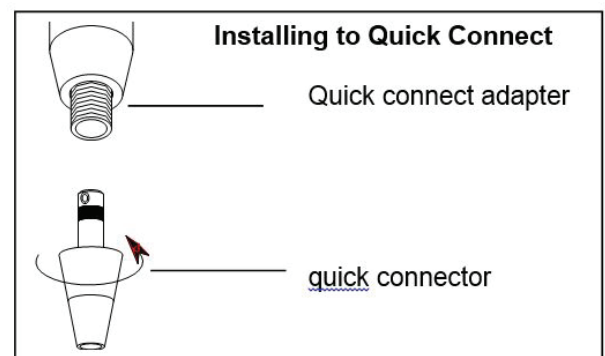
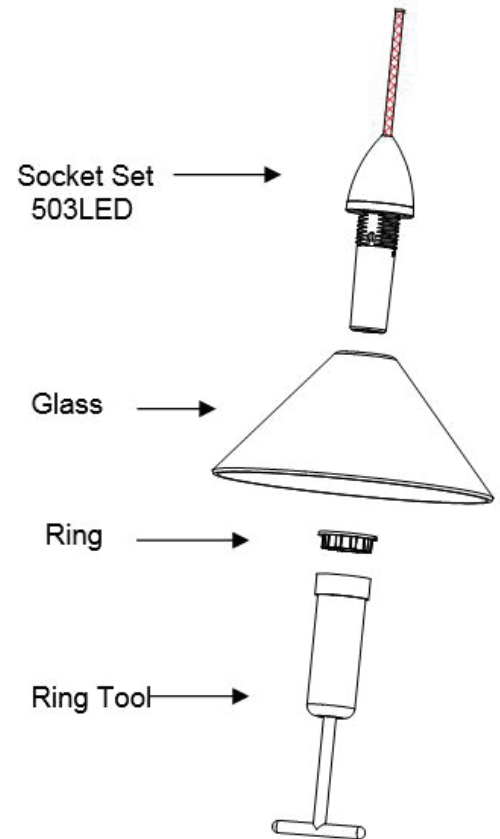
For model MP-LED503:

1. Put the knitted cable from the Socket Set into the cable grip (according to the step 1, 2, 3, shown with picture below)



FOR MODEL QP-LED503:

1. Insert the post of the quick connect into the quick connect adapter.
2. Thread the top half of the conical section until it seats with the adapter.
3. Adjust fixture position, use caution not to loosen the conical section



WAC Lighting
 www.waclighting.com
 Phone (800) 526.2588 • Fax (800) 526.2585

Headquarters/Eastern Distribution Center
 44 Harbor Park Drive • Port Washington, NY 11050
 Phone (516) 515.5000 • Fax (516) 515.5050

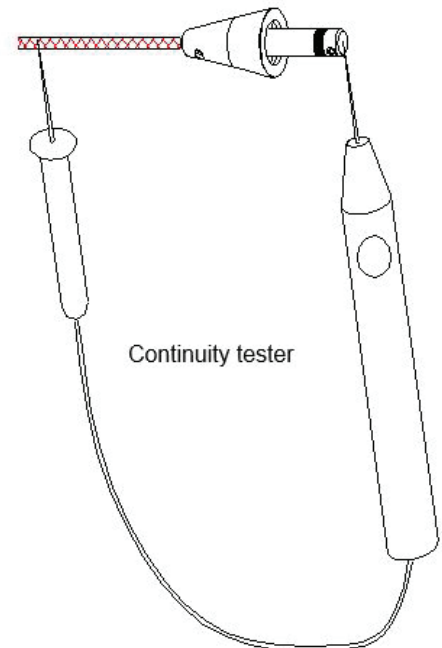
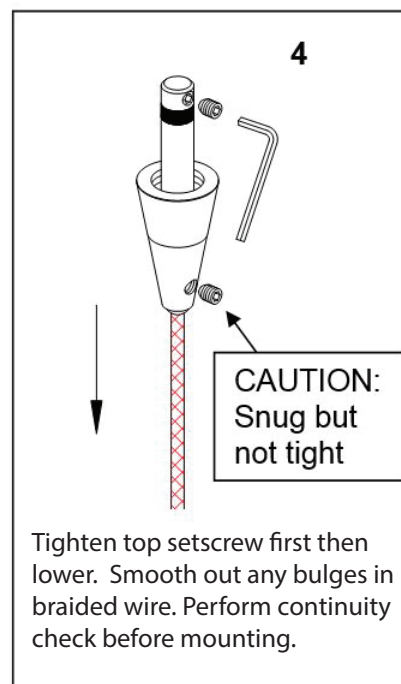
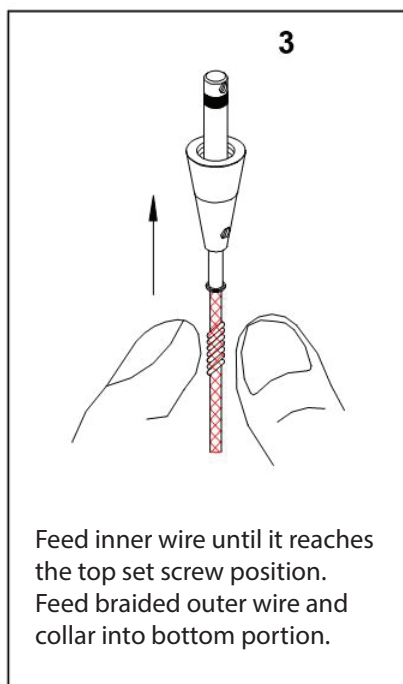
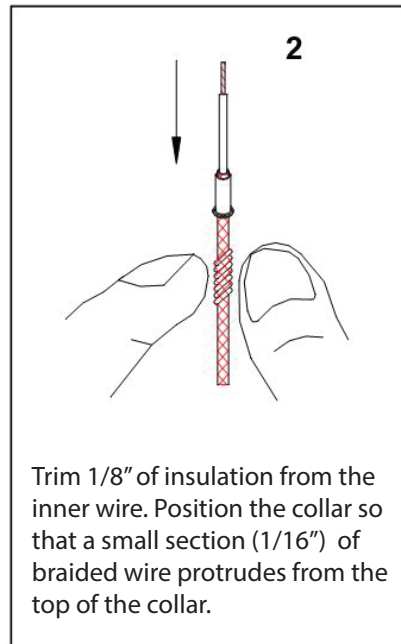
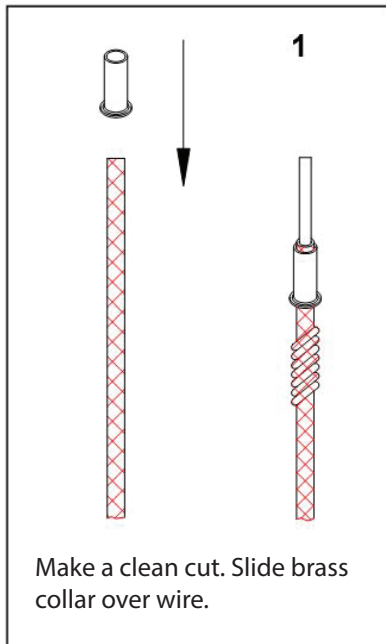
Western Distribution Center
 1750 Archibald Ave • Ontario, CA 91761
 Phone (800) 526.2588 • Fax (800) 526.2585

INSTALLATION INSTRUCTION
500 Series LED Quick Connect™ Socket Set
QP-LED503, MP-LED503

WAC LIGHTING
Responsible Lighting®

TO INSTALL / SHORTEN THE CABLE:

Feed the cable end through the Top Conical section and the metal finial. If cable needs to be shortened, make the cut now. To install the top conical section, follow the step-by-step instructions bellow. **NOTE: Pendant cables are co-axial, if the lower screw in step 4 is made too tight, the inner an outer wire will short. A short circuit will render the entire system in-operative and possibly damage the transformer. Check all pendant splices for continuity before installing.**



CHECK SPLICE:

Before mounting, with lamp removed from the socket, check for continuity. There should be none.

Insert lamp in socket and re-check. There should now be continuity, indicating a completed circuit.

Install with power off.

WAC Lighting
www.waclighting.com
Phone (800) 526.2588 • Fax (800) 526.2585

Headquarters/Eastern Distribution Center
44 Harbor Park Drive • Port Washington, NY 11050
Phone (516) 515.5000 • Fax (516) 515.5050

Western Distribution Center
1750 Archibald Ave • Ontario, CA 91761
Phone (800) 526.2588 • Fax (800) 526.2585

INSTALLATION INSTRUCTION

Quick Adjust™ Pendant Canopy

MP-60E

WAC LIGHTING
Responsible Lighting®

SAFETY INSTRUCTION

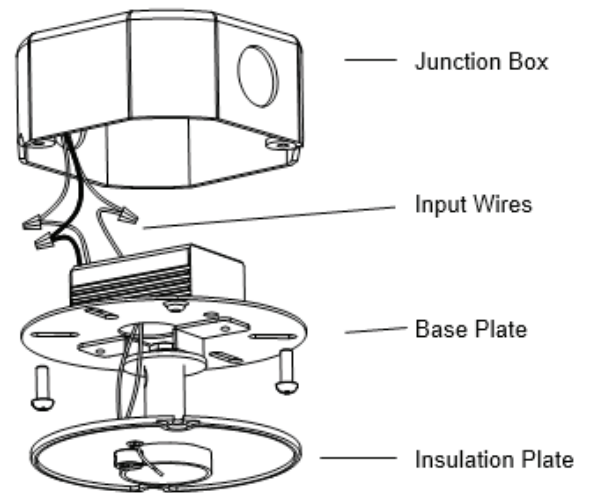
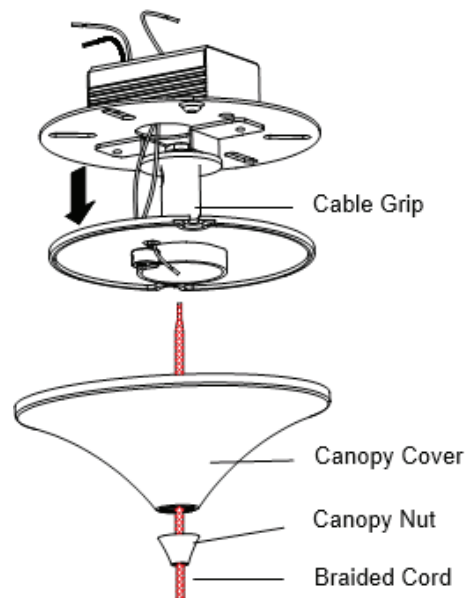
- Do not conceal or extend exposed conductors through a building wall.
- Do not install this system in wet locations.
- To reduce the risk of fire and burns, do not install this lighting system where the exposed bare conductors can be shorted or contact any conductive materials.
- Make sure all connections are tight.
- Do not install any luminaire closer than 6 inches from any curtain, or similar combustible materials.
- Turn off electrical power before modifying the lighting system in any way.
- Install over a standard 4 inch junction box.

OVERVIEW

MP-60E canopy designed to fit all WAC Pendants. Uses a 50 watt max halogen lamp.

The pendant weight should be no more than 5 pounds. MP-60E canopy comes with a self-contained electronic transformer that may be dimmed with an electronic low voltage dimmer switch.

1. Unscrew "canopy nut" and remove "canopy cover" from the threaded cable grip.
2. Pull down the "insulation plate".
3. Support canopy and guide the black and white wires from the transformer into the junction box.
4. Connect ground wire from junction box to the green grounding wire from the base plate.
5. Connect corresponding line volt wires from the junction box to transformer wires (white wire connect to white wire and black wire connect to black wire), with wire nuts (supplied). Tuck excess wire into the junction box.
6. Attach the "base plate" to the junction box using the slotted holes and screws.
7. Re-attach "insulation plate".



WAC Lighting
www.waclighting.com
Phone (800) 526.2588 • Fax (800) 526.2585

Headquarters/Eastern Distribution Center
44 Harbor Park Drive • Port Washington, NY 11050
Phone (516) 515.5000 • Fax (516) 515.5050

Western Distribution Center
1750 Archibald Ave • Ontario, CA 91761
Phone (800) 526.2588 • Fax (800) 526.2585

INSTALLATION INSTRUCTION

Quick Adjust™ Pendant Canopy

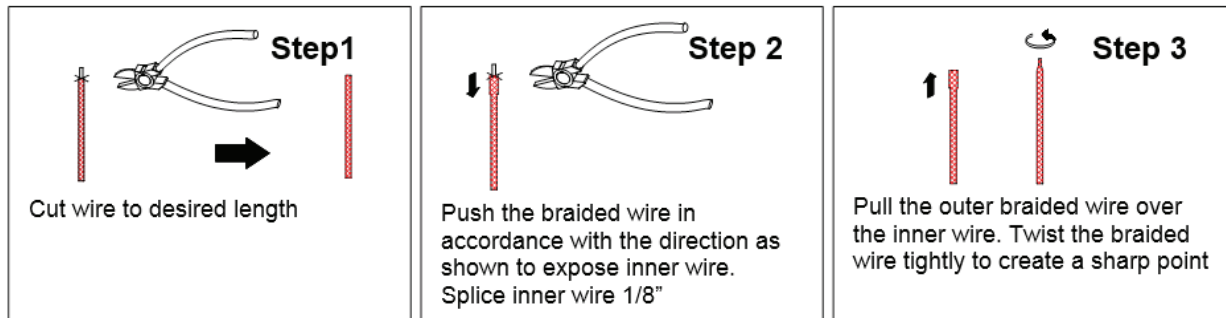
MP-60E

WAC LIGHTING

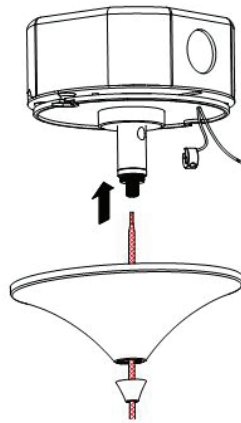
Responsible Lighting®

PENDANT INSTALLATION

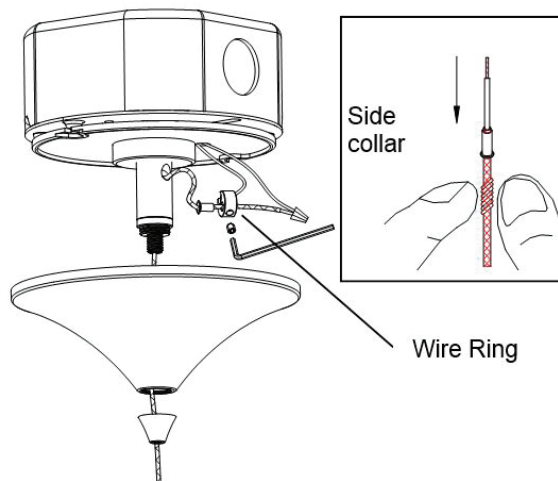
1. Make the desired cut of the "braided cord" for proper mounting height. Trim 1/8" of insulation from the inner wire.



2. Feed the "braided cord" through "canopy nut" and "canopy cover". Push up the "cable grip" top and feed the braided cord until 3" braided cord comes out from side hole.



3. Position the "side collar" (supplied) so that a small section (1/16") of "braided cord" protrudes from the top of the collar.
4. Feed the "braided cord" and "side collar" into the end of the "wire ring" and tighten the set screw with allen wrench (supplied).
5. Use wire nuts (supplied) to connect the protruding braid cord to the wire coming from the transformer.
6. Raise the "canopy cover" and make sure that wires are contained in the "canopy cover".
7. Tighten "canopy nut".



WAC Lighting
www.waclighting.com
Phone (800) 526.2588 • Fax (800) 526.2585

Headquarters/Eastern Distribution Center
44 Harbor Park Drive • Port Washington, NY 11050
Phone (516) 515.5000 • Fax (516) 515.5050

Western Distribution Center
1750 Archibald Ave • Ontario, CA 91761
Phone (800) 526.2588 • Fax (800) 526.2585