

# R2RAT, R2SAT

2" Volta - Adjustable Trim

# WAC LIGHTING

Responsible Lighting®



Fixture Type:

Catalog Number:

Project: \_\_\_\_\_

Location: \_\_\_\_\_

## PRODUCT DESCRIPTION

Volta LED downlight series represents an innovation in design and technology for architectural lighting. This high lumen and adaptable family of fixtures with a comprehensive set of round and square fittings, affords a sustainable solution for commercial, corporate, and upscale residential applications.

## FEATURES

- Center beam alignment retained throughout adjustment range
- 0-45° vertical and 365° horizontal lockable hot aiming
- Indexed vertical scaling for precise and accurate alignment
- Integral patterned tempered trim lens included standard
- Compatible with a wide range of accessories
- Dual finishes are single piece, no physical seams
- 5 year WAC Lighting product warranty

## SPECIFICATIONS

**Construction:** Durable die-cast self-flanged aluminum construction

**Input:** Universal 120 - 277V AC 50/60 Hz

**Dimming:** Electronic Low Voltage (ELV): 100%-5% (120V only)  
0-10V: 100%-0% (120 - 277V)

**Light Source:** High output 3-step Mac Adam Ellipse COB  
Rated life of 50,000 hours at L70

**Mounting:** Heavy gauge retention clips support trim firmly. Safety cabling standard.  
Ceiling cut out Round Trimmed: Ø 3 5/16" Invisible Trim: Ø 4 1/4"  
Ceiling cut out Square Trimmed: 3 5/16" x 3 5/16" Invisible Trim: 4 1/4" x 4 1/4"  
Accommodates 1/2" - 1 1/2" ceiling thickness

**Finish:** Electrostatically powder coated White, Black. Enamel coated Haze. Plated and brushed Copper Bronze.

**Standards:** ETL & cETL Wet location Listed

Model	Beam		Lumens		Color Temp	CRI	Finishes	Reflector/Trim
			Reference	CBCP Output*				
<p><b>R2RAT</b> Round Trim <b>R2SAT</b> Square Trim</p>	<b>S</b> 12°	Round	335	4300	<b>827</b> 2700K 85	<b>BK</b> Black <b>BKWT</b> Black/White <b>CB</b> Copper Bronze <b>HZ</b> Haze <b>HZWT</b> Haze/White <b>WT</b> White		
		Square	360	5805	<b>830</b> 3000K 85			
	<b>N</b> 25°	Round	915	5340	<b>835</b> 3500K 85			
		Square	1040	5960	<b>840</b> 4000K 85			
	<b>F</b> 35°	Round	940	2910	<b>927</b> 2700K 90			
		Square	1015	3215	<b>930</b> 3000K 90			

R2\_AT-\_\_\_\_\_-\_\_\_\_\_

Example: **R2RAT-S827-BK**

\*Reference output shows **830**(85CRI 3000K) trim with **22** housing. Use multiplier table below to determine the output for other combinations.

Multiplier	TRIM					
	827	927	830	930	835	840
<b>HOUSING 22</b>	0.95	0.81	1.00	0.86	1.05	1.07
<b>HOUSING 15</b>	0.66	0.56	0.69	0.59	0.72	0.74

Example: **R2SAT-N840-WT** with **15** housing: 1040 lm (Reference Output) x 0.74 (Multiplier) = 770 lm

5960 CBCP (Reference Output) x 0.74 (Multiplier) = 4410 CBCP

Please see next page for housing units(required)

wacighting.com  
Phone (800) 526.2588  
Fax (800) 526.2585

Headquarters/Eastern Distribution Center  
44 Harbor Park Drive  
Port Washington, NY 11050

Central Distribution Center  
1600 Distribution Ct  
Lithia Springs, GA 30122

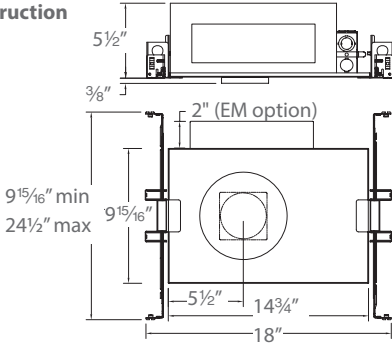
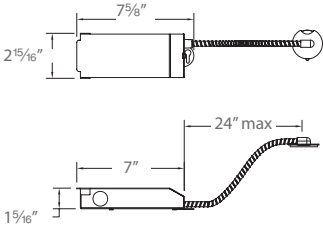
Western Distribution Center  
1750 Archibald Avenue  
Ontario, CA 91760

# R2RAT, R2SAT

## 2" Volta - Adjustable Trim

# WAC LIGHTING

Responsible Lighting®

HOUSING (Required)	Model	Trim	Power	Emergency Backup
<b>New Construction Airtight IC</b> 	<b>R2RN</b> <i>Round</i> <b>R2RC</b> <i>Round Chicago Plenum</i> <b>R2SN</b> <i>Square</i> <b>R2SC</b> <i>Square Chicago Plenum</i>	<b>T</b> <i>Trim</i> <b>L</b> <i>Invisible Trim</i>	<b>15</b> <i>15W IC</i> <b>22</b> <i>22W IC</i>	<b>EM</b> <i>Optional</i>
<b>Remodel Non-IC</b> 	<b>R2BR</b>	<b>T</b> <i>Trim</i>	<b>15</b> <i>15W Non-IC</i> <b>22</b> <i>22W Non-IC</i>	N/A

**R2** \_\_\_\_\_ - \_\_\_\_\_  
 Example: **R2RNT-15** or **R2RNT-15EM** (with Emergency backup battery)

### WOOD AND METAL CEILING ADAPTERS

Round	Square
<b>R2R-ADP1</b> 1/2" to 1" ceiling thickness	<b>R2S-ADP1</b> 1/2" to 1" ceiling thickness
<b>R2R-ADP2</b> 1" to 1 1/2" ceiling thickness	<b>R2S-ADP2</b> 1" to 1 1/2" ceiling thickness

### FIELD CHANGEABLE GLARE CONTROL AND OPTIC SYSTEM

Accessory holder  
 Holds up to two lenses or one lens and one glare control

Optical cartridge  
 Allows tool-less exchange of reflectors



### ACCESSORY HOLDER sold separately

<b>LENS-16-HLD</b>	Required for use with any lens or accessory
--------------------	---

### GLARE CONTROL ACCESSORIES

<b>LENS-16</b>	<b>HCM</b> Honeycomb Louver <b>CRL</b> Cross Louver
----------------	--

### INTERCHANGEABLE REFLECTORS

<b>REF-R2-N</b>	Narrow Flood beam
<b>REF-R2-F</b>	Flood beam
<b>REF-R2-W</b>	Wide beam

### LENS ACCESSORIES

<b>LENS-16</b>	<b>AMB</b>	Amber
	<b>RED</b>	Red
	<b>FR</b>	Frosted
	<b>SPR</b>	Spread
	<b>BEL</b>	Beam Elongating

wacighting.com  
 Phone (800) 526.2588  
 Fax (800) 526.2585

Headquarters/Eastern Distribution Center  
 44 Harbor Park Drive  
 Port Washington, NY 11050

Central Distribution Center  
 1600 Distribution Ct  
 Lithia Springs, GA 30122

Western Distribution Center  
 1750 Archibald Avenue  
 Ontario, CA 91760