

INSTALLATION INSTRUCTION

OCULUX 3.5" LED RECESSED New Construction EM Housing

R3BNICA-10U-EM

WAC LIGHTING

Responsible Lighting®

SAFETY INSTRUCTION

IMPORTANT: NEVER attempt any work without shutting off the electricity.

- Read all instructions before installing.
- System is intended for installation by a qualified electrician in accordance with the National Electrical Code and local regulations.
- Go to the main fuse box, or circuit breaker. Place the main power switch in the "OFF" position and unscrew the fuse(s) or switch "OFF" the circuit breaker switch(es) that control the power to the fixture or room that you are working on.
- Place the wall switch in the "OFF" position.

AVERTISSEMENT

IMPORTANT : Coupez l'électricité avant TOUTE manipulation.

- Lisez toutes les instructions avant d'installer.
- Système est destiné à être installé par un électricien qualifié en conformité avec le code national de l'électricité et les règlements locaux.
- Accédez au panneau central de disjoncteurs ou de fusibles de votre demeure et placez l'interrupteur principal en position d'arrêt (« OFF »).
- Placez l'interrupteur mural en position d'arrêt (« OFF »).

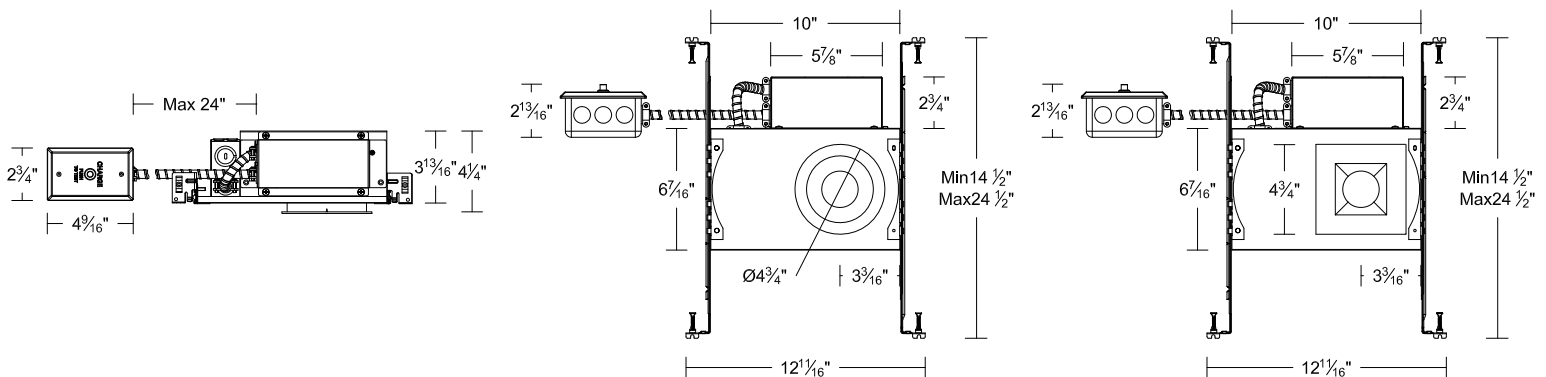
CAUTION

All parts must be used as indicated in these instructions. Do not substitute any parts, leave parts out, or use any parts that are worn out or broken. Failure to follow could invalidate the ETL/cETL listing of this fixture.

OVERVIEW

Housing is new construction Airtight IC (Refer to table below). Housing requires a trim for finished look. Refer to specification sheets for compatible trim options.

NEW CONSTRUCTION OVERALL DIMENSIONS



SPECIFICATIONS	
Input:	120-277V
Installation:	IC for all models (13W)
Dimming:	ELV / TRIAC(120V Only) 0-10V (120-277V)

waclighting.com
Phone (800) 526.2588
Fax (800) 526.2585

Headquarters/Eastern Distribution Center
44 Harbor Park Drive
Port Washington, NY 11050

Central Distribution Center
1600 Distribution Ct
Lithia Springs, GA 30122

Western Distribution Center
1750 Archibald Avenue
Ontario, CA 91760

INSTALLATION INSTRUCTION

OCULUX 3.5" LED RECESSED New Construction EM Housing

R3BNICA-10U-EM

WAC LIGHTING

Responsible Lighting®

NEW CONSTRUCTION INSTALLATION

1. Install housing using two hanger bars (24½" max). Bars are notched on the ends to fit over "T" bars in suspended ceilings (See **FIG. 2A**).
2. Hanger bars include a captive mounting "screw-nail" for ease of installation (See **FIG. 1**). Align the bottom of the hanger bar with the bottom of the wood joist. Secure the "screw-nail" on each end by screwdriver (See **FIG. 2B**), or by hammer (See **FIG. 2C**).
3. Slide fixture housing along bar hangers into desired location. Use locking screws to secure (See **FIG. 2D**).
4. To shorten hanger bars to fit in a 12" joist, snap off one section of the hanger bars (See **FIG. 3**).
5. Remove spring latched fixture junction box door and connect fixture wires to building wires: Insert each supply wire into appropriate junction box wire connector. This fixture features electronic low voltage (ELV) or TRIAC or 1-10V dimming capabilities (See **FIG. 4**).
To utilize ELV or TRIAC, wire black (line hot), white (line neutral) and green (ground) in accordance to dimmer specifications.
To utilize 0-10V dimming, wire purple (dim+), gray (dim-), black (line hot), white (line neutral) and green (ground) in accordance to dimmer specifications.
When not using a dimmer, connect black fixture wire to hot, white fixture wire to neutral and green fixture wire to ground. Leave all other wires capped individually.
6. Place all wiring and connectors back in junction box and replace the junction box's cover.

FIG. 1

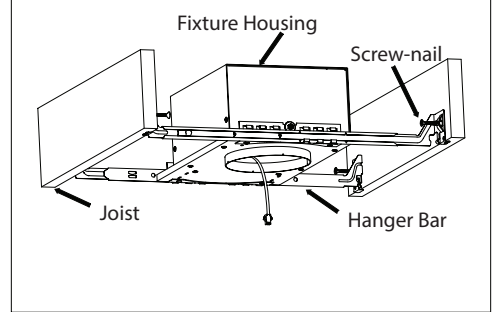


FIG. 2

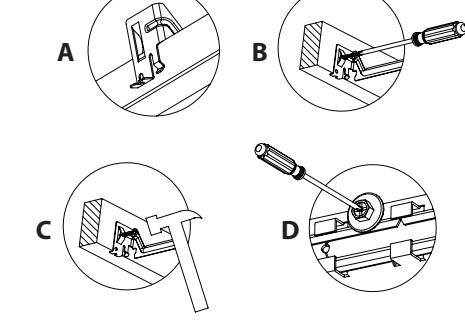


FIG. 3

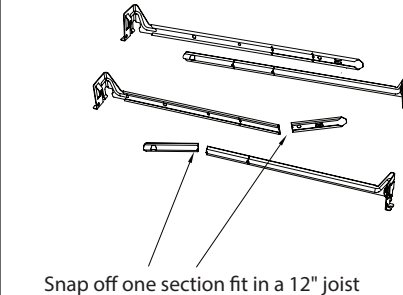
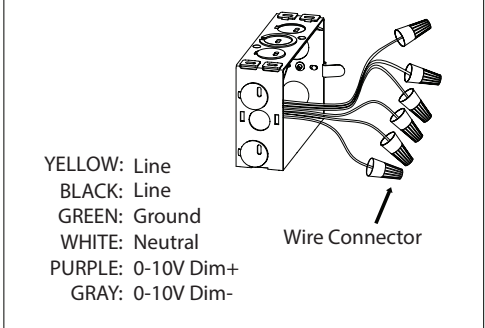


FIG. 4



7. Cut a 4¼" diameter hole in the ceiling at the point of installation and install ceiling (See **FIG. 5**).
8. Raise the trim to ceiling and connect power connector (See **FIG. 6**).
9. Fold trim assembly mounting springs inward and insert trim into ceiling cutout. Be sure once installed, trim is flush and secure (See **FIG. 7**).

FIG. 5

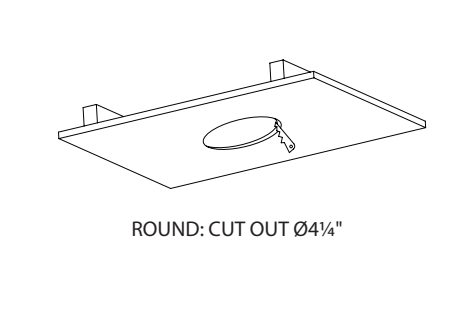


FIG. 6

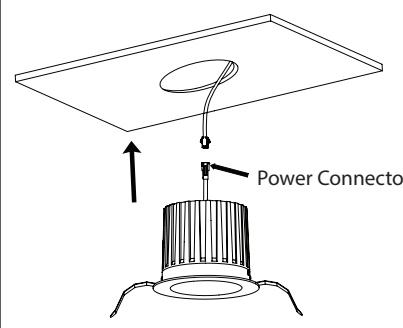
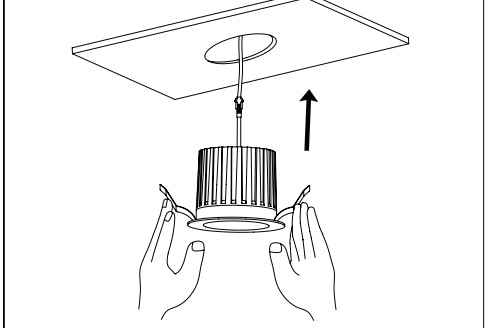


FIG. 7



waclighting.com
Phone (800) 526.2588
Fax (800) 526.2585

Headquarters/Eastern Distribution Center
44 Harbor Park Drive
Port Washington, NY 11050

Central Distribution Center
1600 Distribution Ct
Lithia Springs, GA 30122

Western Distribution Center
1750 Archibald Avenue
Ontario, CA 91760

INSTALLATION INSTRUCTION

OCULUX 3.5" LED RECESSED New Construction EM Housing

R3BNICA-10U-EM

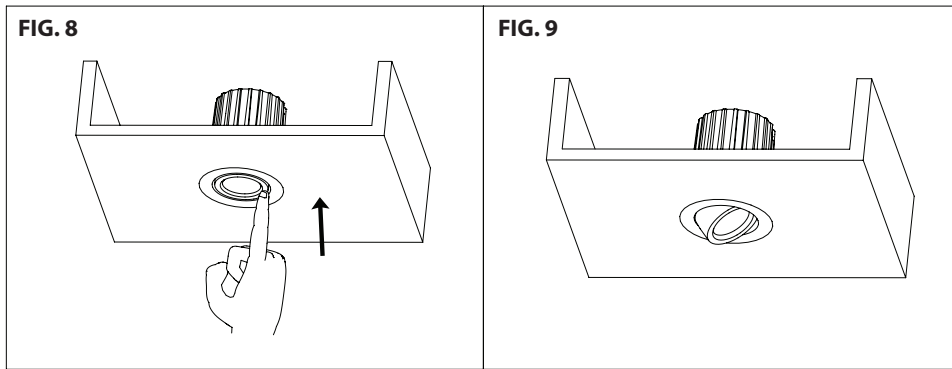
WAC LIGHTING

Responsible Lighting®

ADJUSTMENT FEATURES

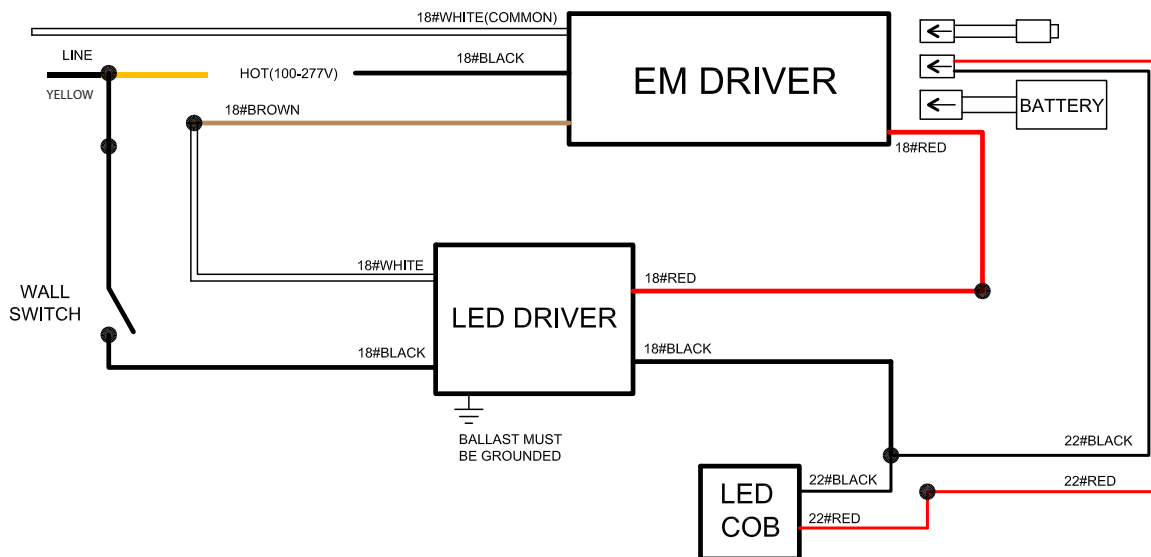
The adjustable trims can be vertically adjusted between 0-35 degrees, and can self-stop in place once the adjustment is done.

Use one finger to push up one side of trim edge to get the desired degree (See **FIG. 8 & 9**).

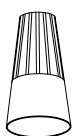


10. When connect electricity or replace the LED driver, please reference the wiring diagram and make sure your connection is correct.

Wiring Diagram



ELECTRICAL ACCESSORY



Wire Connector
Qty: 4 pcs
7EAC112201

waclighting.com
Phone (800) 526.2588
Fax (800) 526.2585

Headquarters/Eastern Distribution Center
44 Harbor Park Drive
Port Washington, NY 11050

Central Distribution Center
1600 Distribution Ct
Lithia Springs, GA 30122

Western Distribution Center
1750 Archibald Avenue
Ontario, CA 91760