

**INSTALLATION INSTRUCTION**  
**Dunhill - dweLED™ Vanities**  
 WS-40520, WS-40526, WS-40538

**WAC LIGHTING**  
 Responsible Lighting®

**WARNING**

IMPORTANT: NEVER attempt any work without shutting off the electricity.

- Read all instructions before installing.
- System is intended for installation by a qualified electrician in accordance with the National Electrical Code and local regulations.
- Go to the main fuse box, or circuit breaker. Place the main power switch in the "OFF" position and unscrew the fuse(s) or switch "OFF" the circuit breaker switch(es) that control the power to the fixture or room that you are working on.
- Place the wall switch in the "OFF" position.

**CAUTION**

- All parts must be used as indicated in these instructions. Do not substitute any parts, leave parts out, or use any parts that are worn out or broken. Failure to follow this instruction could invalidate the ETL/CETL listing of this fixture.
- CAUTION When handling the fixture, do not apply pressure to the LEDs. Hold the fixture by the base only.

**AVERTISSEMENT**

IMPORTANT : Coupez l'électricité avant TOUTE manipulation.

- Lisez toutes les instructions avant d'installer.
- Système est destiné à être installé par un électricien qualifié en conformité avec le code national de l'électricité et les règlements locaux.
- Accédez au panneau central de disjoncteurs ou de fusibles de votre demeure et placez l'interrupteur principal en position d'arrêt (« OFF »).
- Placez l'interrupteur mural en position d'arrêt (« OFF »).

**MISE EN GARDE**

- Toutes les pièces doivent être utilisées tel qu'il est indiqué dans ces instructions. Ne remplacez pas les pièces, n'en laissez pas de côté et ne les utilisez pas si elles sont usées ou brisées. Le non-respect de ces instructions peut annuler l'homologation ETL/CETL du luminaire. MISE EN GARDE Ors de la manipulation de l'appareil, ne pas appliquer de pression à la LED, tenir l'appareil par la seule base.

**ADVERTENCIA**









IMPORTANTE: NUNCA intente hacer trabajos sin desconectar el suministro eléctrico.

- Lea y comprenda todas las instrucciones e ilustraciones por completo antes de proceder con el ensamblaje e instalación de esta lámpara.
- Sistema está diseñado para ser instalado por un electricista calificado, de acuerdo con el código eléctrico nacional y las normas locales.
- Diríjase a la caja de fusibles o a la caja del interruptor de circuito principal en su hogar. Coloque el interruptor de alimentación principal en la posición "OFF" (APAGADO).
- Coloque el interruptor de la pared en la posición "OFF" (APAGADO).

**PRECAUCIÓN**

- Todas las piezas deben usarse como lo indican estas instrucciones. No reemplace las piezas, no omita piezas durante la instalación ni utilice piezas gastadas o rotas. El incumplimiento de esta indicación podría invalidar la calificación ETL/CETL esta lámpara. PRECAUCIÓN Al manipular el aparato, no aplique presión a los LED, mantenga el aparato en la base sólo.

**HARDWARE**

							
P3 (orange) Electrical Wire Connector Qty: 3pc	Junction Box Screw Qty: 2pc + 1 extra	Plastic Anchor Qty: 2pc	Wood Screw Qty: 2pc	Mounting Screw Qty: 1pc + 1 extra	Set Screw Qty: 4pc	Fixture Screw Qty: 1pc + 1 Extra	Metal Spacer Qty: 2pc

**WAC Lighting**  
 www.waclighting.com  
 Phone (800) 526.2588 • Fax (800) 526.2585

**Headquarters/Eastern Distribution Center**  
 44 Harbor Park Drive • Port Washington, NY 11050  
 Phone (516) 515.5000 • Fax (516) 515.5050

**Western Distribution Center**  
 1750 Archibald Ave • Ontario, CA 91761  
 Phone (800) 526.2588 • Fax (800) 526.2585



# INSTALLATION INSTRUCTION

## Dunhill - dweLED™ Vanities

### WS-40520, WS-40526, WS-40538

WAC LIGHTING  
Responsible Lighting®

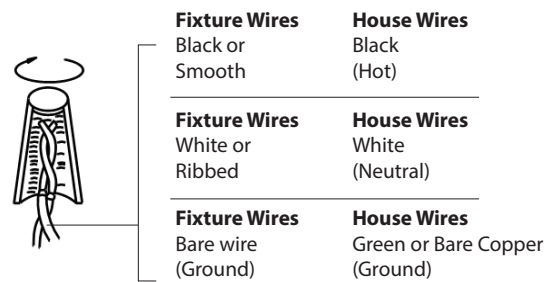
#### PREPARATION

- Shut off the power at the circuit breaker and remove existing fixture, including the mounting hardware.
- Carefully unpack your new fixture and lay out all the parts on a clear area. Be careful not to lose any small parts necessary for installation.

#### CONNECTING THE WIRES (fig.1)

1. Connect the supply wires to the transformer input wire as shown in **Fig.1** and **Fig.2**, making sure all wire connectors secured. If your outlet box has a green or bare copper ground wire, connect the fixture's ground wire to it. Otherwise, connect the fixture's ground wire directly to the mounting plate (D1) using the green screw provided. After wires connected, tuck them carefully inside the junction box.

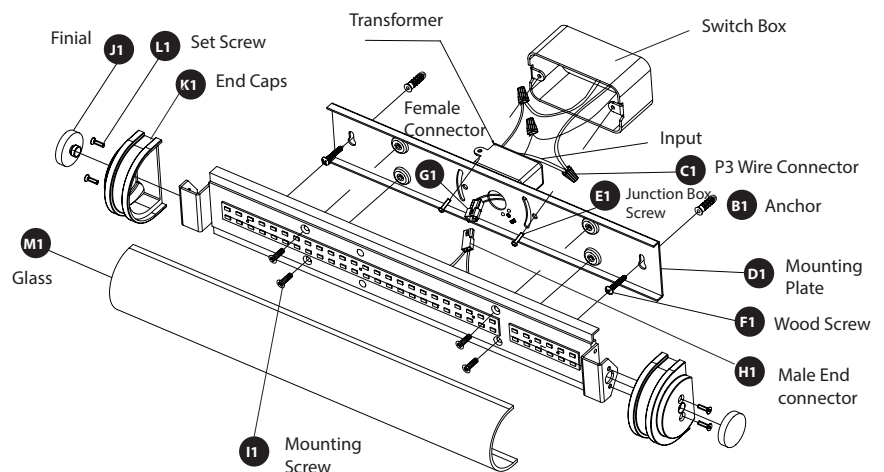
Fig.1 Wiring



#### MOUNTING THE FIXTURE

2. Drill the holes in the proper position on the wall according to the keyholes located on the mounting back plate (D1). Insert the plastic anchors (B1) into the wall.
3. Remove the assembly screws (I1) from the fixture. Unplug the male end connector (H1) from female end connector (G1).

Fig.2 Mounting (switch box)



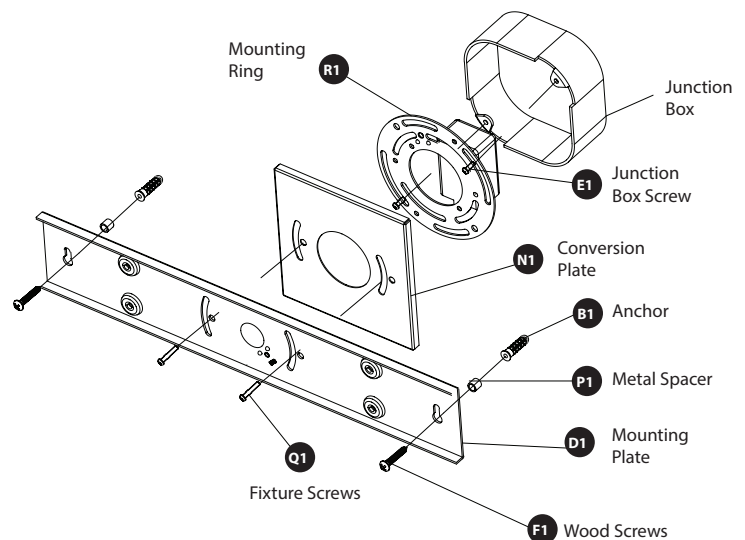
#### MOUNTING THE FIXTURE - Switch box (fig.2)

4. Secure mounting plate (D1) to the switch box using screws (E1), fasten the mounting plate to the wall using wood screws (F1) The side of the mounting plate marked "GND" must face out.

#### MOUNTING THE FIXTURE - Junction box (fig.3)

5. Secure the mounting ring (R1) to the junction box using junction box screws (E1). Make sure the two holes (spacing 2-3/4") horizontal as shown in **Fig. 2**.
6. Put the mounting plate (D1) and the conversion plate (N1) onto the mounting ring (R1). Align the two holes (spacing 2 3/4") of the mounting plate (D1) with the slots on the conversion plate (N1) and the two holes on the mounting ring. Fasten them using screws (Q1), then fasten the mounting plate to the wall using wood screws (F1) and metal spacer (P1).
7. Re-connect the male connector (H1) to the female connector (G1).
8. Put the fixture over the mounting plate and secure it with set screws (I1).
9. Secure the glass (M1) on the fixture using the end caps (K1) and set screws (L1), thread the finial (J1) onto the end caps.

Fig.3 Mounting (junction box)



WAC Lighting

www.waclighting.com

Phone (800) 526.2588 • Fax (800) 526.2585

Headquarters/Eastern Distribution Center

44 Harbor Park Drive • Port Washington, NY 11050

Phone (516) 515.5000 • Fax (516) 515.5050

Western Distribution Center

1750 Archibald Ave • Ontario, CA 91761

Phone (800) 526.2588 • Fax (800) 526.2585

