

INSTALLATION INSTRUCTION

Vie - dweLED

WS-6614, WS-6620

WAC LIGHTING

Responsible Lighting®

WARNING

IMPORTANT: NEVER attempt any work without shutting off the electricity.

- Read all instructions before installing.
- System is intended for installation by a qualified electrician in accordance with the National Electrical Code and local regulations.
- Go to the main fuse box, or circuit breaker. Place the main power switch in the "OFF" position and unscrew the fuse(s) or switch "OFF" the circuit breaker switch(es) that control the power to the fixture or room that you are working on.
- Place the wall switch in the "OFF" position.

CAUTION

All parts must be used as indicated in these instructions. Do not substitute any parts, leave parts out, or use any parts that are worn out or broken. Failure to follow this instruction could invalidate the ETL/CETL listing of this fixture.

CAUTION When handling the fixture, do not apply pressure to the LEDs. Hold the fixture by the base only.

AVERTISSEMENT

IMPORTANT : Coupez l'électricité avant TOUTE manipulation.

- Lisez toutes les instructions avant d'installer.
- Système est destiné à être installé par un électricien qualifié en conformité avec le code national de l'électricité et les règlements locaux.
- Accédez au panneau central de disjoncteurs ou de fusibles de votre demeure et placez l'interrupteur principal en position d'arrêt (« OFF »).
- Placez l'interrupteur mural en position d'arrêt (« OFF »).

MISE EN GARDE

Toutes les pièces doivent être utilisées tel qu'il est indiqué dans ces instructions. Ne remplacez pas les pièces, n'en laissez pas de côté et ne les utilisez pas si elles sont usées ou brisées. Le non-respect de ces instructions peut annuler l'homologation ETL/CETL du luminaire.

MISE EN GARDE Ors de la manipulation de l'appareil, ne pas appliquer de pression à la LED, tenir l'appareil par la seule base.

ADVERTENCIA

IMPORTANTE: NUNCA intente hacer trabajos sin desconectar el suministro eléctrico.

- Lea y comprenda todas las instrucciones e ilustraciones por completo antes de proceder con el ensamblaje e instalación de esta lámpara.
- Sistema está diseñado para ser instalado por un electricista calificado, de acuerdo con el código eléctrico nacional y las normas locales.
- Diríjase a la caja de fusibles o a la caja del interruptor de circuito principal en su hogar. Coloque el interruptor de alimentación principal en la posición "OFF" (APAGADO).
- Coloque el interruptor de la pared en la posición "OFF" (APAGADO).

PRECAUCIÓN

Todas las piezas deben usarse como lo indican estas instrucciones. No reemplace las piezas, no omita piezas durante la instalación ni utilice piezas gastadas o rotas. El incumplimiento de esta indicación podría invalidar la calificación

ETL/CETL esta lámpara. PRECAUCIÓN Al manipular el aparato, no aplique presión a los LED, mantenga el aparato en la base sólo.

HARDWARE

B1



Wire Connector
Qty: 3 PCS
7EAC112201
P3

J1



Junction Box Screw
Qty: 2PCS + 1 Extra
7MPF0415C2
#8-32x9/16 SS

A1



Mounting Screw
Qty: 1 Extra
7MPF0408S3
5/32-32x5/16
Nickel Plating

C1



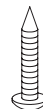
Set Screw
Qty: 1 Extra
7MPF0306S1
1/8-40x1/4
Nickel Plating

G1



Plastic Anchor
Qty: 2PCS+1Extra
7TDD082401

P1



Wood Screw
Qty: 2PCS+1Extra
7MPF2204J2
Ø4x22
Nickel Plating

waclighting.com

Phone (800) 526.2588

Fax (800) 526.2585

Headquarters/Eastern Distribution Center

44 Harbor Park Drive

Port Washington, NY 11050

Central Distribution Center

1600 Distribution Ct

Lithia Springs, GA 30122

Western Distribution Center

1750 Archibald Avenue

Ontario, CA 91760



INSTALLATION INSTRUCTION

Vie - dweLED

WS-6614, WS-6620

WAC LIGHTING

Responsible Lighting®

PREPARATION

1. Shut off the power at the circuit breaker and remove existing fixture, including the mounting hardware.

2. Carefully unpack your new fixture and lay out all the parts on a clear area. Be careful not to lose any small parts necessary for installation.

MOUNTING THE FIXTURE (Fig. 1)

3. Remove the mounting screws (A1) from the fixture.

4. Drill holes in the wall aligned with the key hole location in mounting plate (E1). Insert plastic anchors (G1) into holes.

5. Connect the fixture wires to junction box wires as shown in Fig. 2, making sure that all wire connectors (B1) are secured. Fixture and junction box ground wires should be connected to mounting plate using green screw provided. After wires are connected, tuck them carefully inside the junction box.

6. Secure the mounting plate (E1) to the junction box (F1) using junction box screws (J1). The side of the mounting plate marked "GND" must face out.

7. Place the glass (M1) into the ring (L1). Secure onto the fixture back plate using screws (C1) from back.

8. Fasten wood screws (P1) into plastic anchors (G1) and tighten to hold the mounting plate (E1).

MOUNTING THE FIXTURE (Fig. 1)

9. Place the fixture (D1) over the mounting plate (E1) and secure with screws (A1).

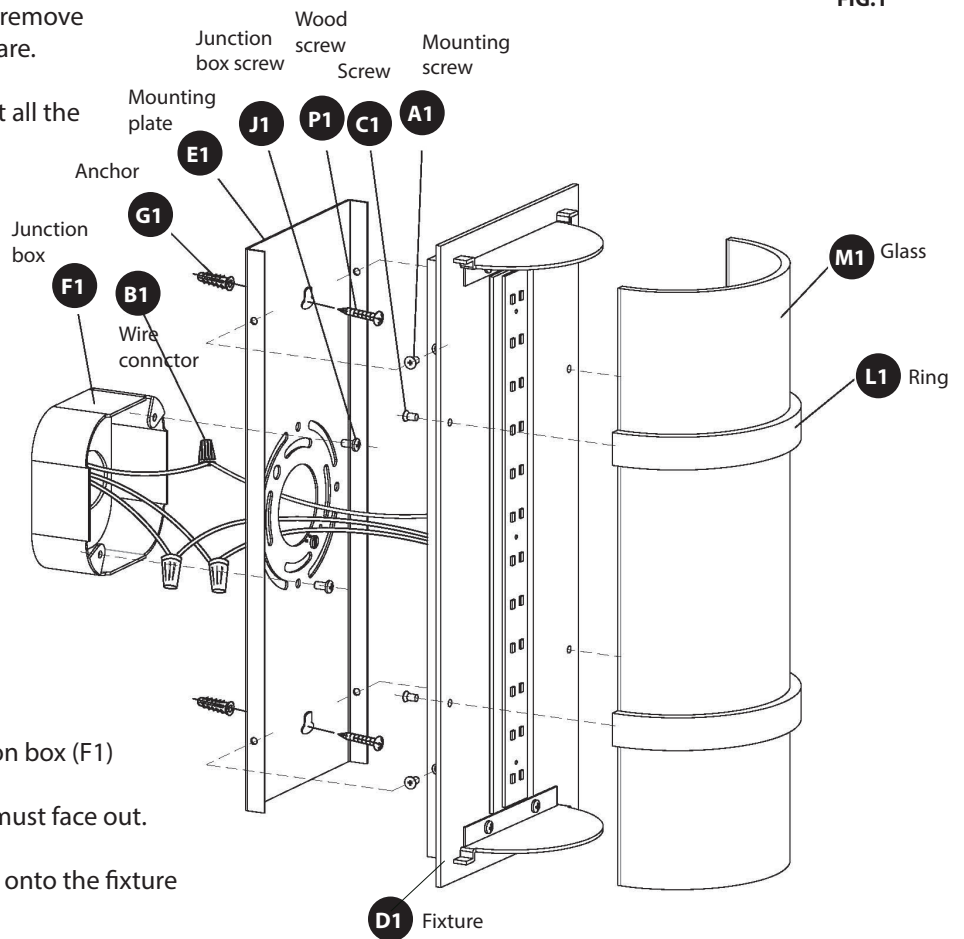
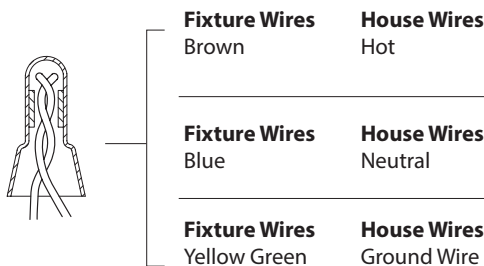


Fig. 2 Wiring



waclighting.com
Phone (800) 526.2588
Fax (800) 526.2585

Headquarters/Eastern Distribution Center
44 Harbor Park Drive
Port Washington, NY 11050

Central Distribution Center
1600 Distribution Ct
Lithia Springs, GA 30122

Western Distribution Center
1750 Archibald Avenue
Ontario, CA 91760



INSTALLATION INSTRUCTION

Vie - dweLED

WS-6618, WS-6624, WS-6636

WAC LIGHTING

Responsible Lighting®

WARNING

IMPORTANT: NEVER attempt any work without shutting off the electricity.

- Read all instructions before installing.
- System is intended for installation by a qualified electrician in accordance with the National Electrical Code and local regulations.
- Go to the main fuse box, or circuit breaker. Place the main power switch in the "OFF" position and unscrew the fuse(s) or switch "OFF" the circuit breaker switch(es) that control the power to the fixture or room that you are working on.
- Place the wall switch in the "OFF" position.

CAUTION

- All parts must be used as indicated in these instructions. Do not substitute any parts, leave parts out, or use any parts that are worn out or broken. Failure to follow this instruction could invalidate the ETL/CETL listing of this fixture. CAUTION When handling the fixture, do not apply pressure to the LEDs. Hold the fixture by the base only.

AVERTISSEMENT

IMPORTANT : Coupez l'électricité avant TOUTE manipulation.

- Lisez toutes les instructions avant d'installer.
- Système est destiné à être installé par un électricien qualifié en conformité avec le code national de l'électricité et les règlements locaux.
- Accédez au panneau central de disjoncteurs ou de fusibles de votre demeure et placez l'interrupteur principal en position d'arrêt (« OFF »).
- Placez l'interrupteur mural en position d'arrêt (« OFF »).

MISE EN GARDE

- Toutes les pièces doivent être utilisées tel qu'il est indiqué dans ces instructions. Ne remplacez pas les pièces, n'en laissez pas de côté et ne les utilisez pas si elles sont usées ou brisées. Le non-respect de ces instructions peut annuler l'homologation ETL/CETL du luminaire. MISE EN GARDE Ors de la manipulation de l'appareil, ne pas appliquer de pression à la LED, tenir l'appareil par la seule base.

ADVERTENCIA






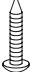




IMPORTANTE: NUNCA intente hacer trabajos sin desconectar el suministro eléctrico.

- Lea y comprenda todas las instrucciones e ilustraciones por completo antes de proceder con el ensamblaje e instalación de esta lámpara.
- Sistema está diseñado para ser instalado por un electricista calificado, de acuerdo con el código eléctrico nacional y las normas locales.
- Diríjase a la caja de fusibles o a la caja del interruptor de circuito principal en su hogar. Coloque el interruptor de alimentación principal en la posición "OFF" (APAGADO).
- Coloque el interruptor de la pared en la posición "OFF" (APAGADO).

PRECAUCIÓN

- Todas las piezas deben usarse como lo indican estas instrucciones. No reemplace las piezas, no omita piezas durante la instalación ni utilice piezas gastadas o rotas. El incumplimiento de esta indicación podría invalidar la calificación ETL/CETL esta lámpara. PRECAUCIÓN Al manipular el aparato, no aplique presión a los LED, mantenga el aparato en la base sólo.

HARDWARE

H1	E1	A1	L1	K1	J1	G1	I1	P1	Q1
									
Wire Connector Qty: 3PCS 7EAC112201	Junction Box Screw Qty: 2PCS + 1 Extra 7MPF0808C1 #8-32x5/16 SS	Mounting Screw Qty: 1 Extra 7MPF0408S3 5/32-32x5/16 Nickel Plating	Screw Qty: 1 Extra 7MPF0306S1 1/8-40x5/16 Nickel Plating	Mounting Anchor Qty: 2PCS+1Extra 7TDD082401	Wood Screw Qty: 2PCS+1Extra 7MPF2204J2	Metal Tube Qty: 2PCS+1Extra 7MBD076401	Mounting Ring Qty: 1PC 7MBC101501	Conversation Plate Qty: 1PC 4MBC111121CH 4MBC111121BN1	Assembly Screw Qty: 2PCS + 1 Extra 7MPF0820C1 #8-32x3/4 SS

waclighting.com

Phone (800) 526.2588

Fax (800) 526.2585

Headquarters/Eastern Distribution Center

44 Harbor Park Drive

Port Washington, NY 11050

Central Distribution Center

1600 Distribution Ct

Lithia Springs, GA 30122

Western Distribution Center

1750 Archibald Avenue

Ontario, CA 91760



INSTALLATION INSTRUCTION

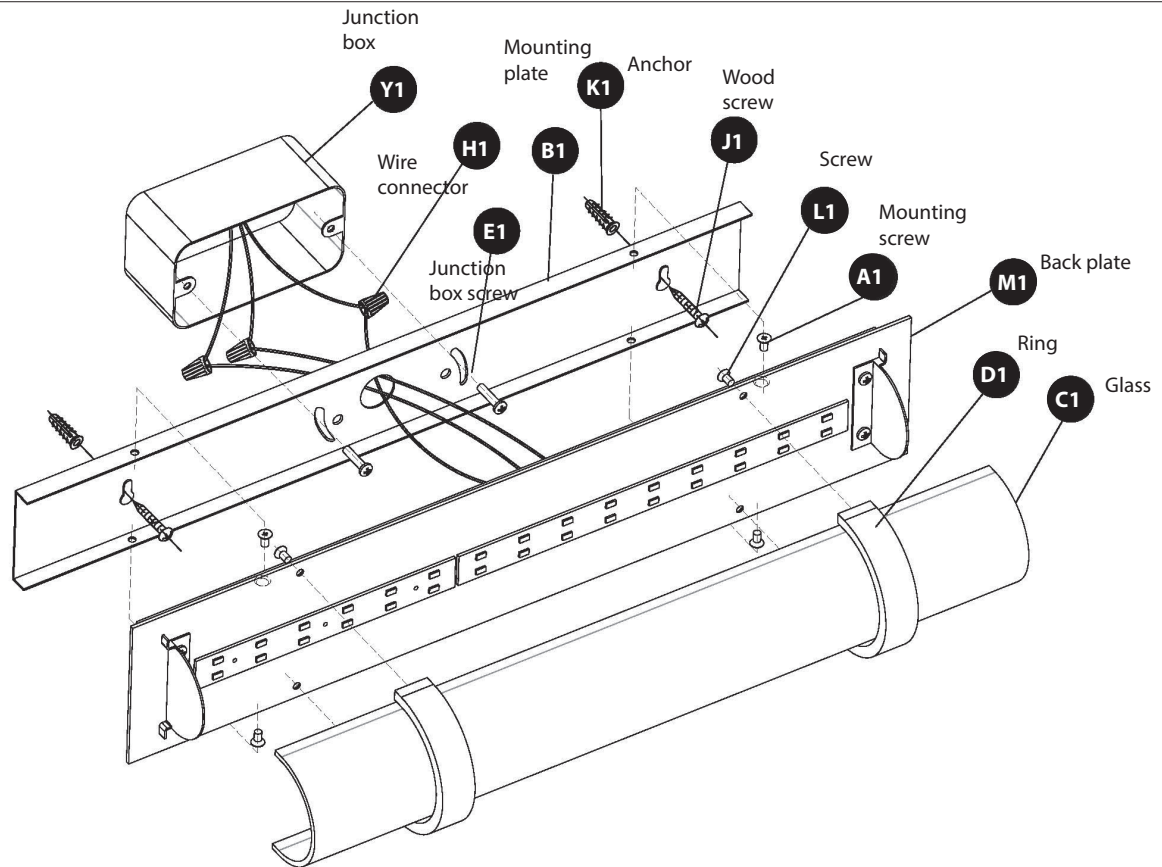
Vie - dweLED

WS-6618, WS-6624, WS-6636

WAC LIGHTING

Responsible Lighting®

FIG.1



PREPARATION

1. Shut off the power at the circuit breaker and remove existing fixture including the mounting hardware.
2. Carefully unpack your new fixture and lay out all the parts on a clear area. Be careful not to lose any small parts necessary for installation.

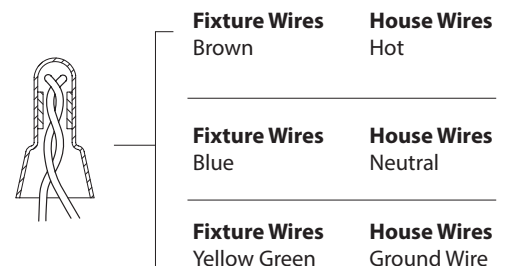
MOUNTING THE FIXTURE (Fig. 1)

3. Remove the mounting screws (A1) from the fixture.
4. Place the glass (C1) into the ring (D1), secure from the back of fixture back plate (M1) using screws (L1).
5. Drill holes in the wall aligned with the key-hole location in the mounting plate (B1). Insert the mounting anchors (K1).
6. Connect the electrical wires as shown in Fig. 3, making sure that all wire connectors are secured. Fixture and junction box ground wires should be connected to mounting plate using green screw provided. After wires are connected, tuck them carefully inside the junction box.

FOR SWITCH BOX (Fig. 1)

7. Secure the mounting plate (B1) to the switch box (Y1) using the junction screws (E1). The side of the mounting plate marked "GND" (B1) must face out.
8. Fasten the wood screws (J1) into the mounting anchors (K1). Tighten the mounting plate (B1) to the wall.

Fig. 2 Wiring



waclighting.com
Phone (800) 526.2588
Fax (800) 526.2585

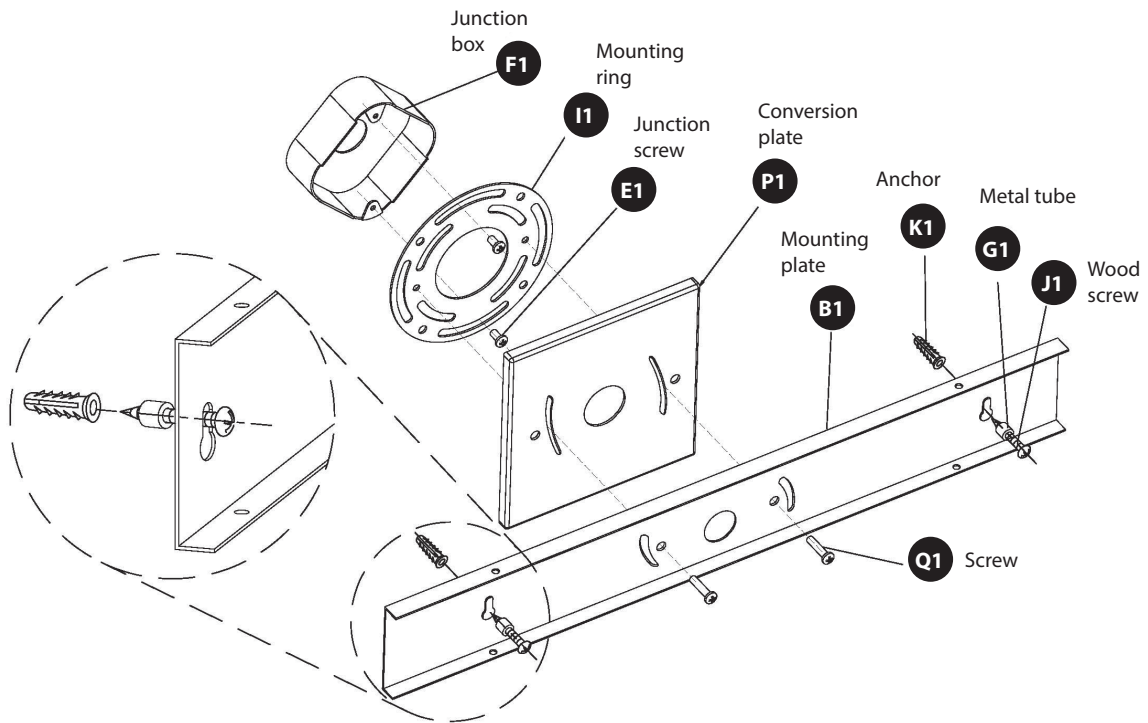
Headquarters/Eastern Distribution Center
44 Harbor Park Drive
Port Washington, NY 11050

Central Distribution Center
1600 Distribution Ct
Lithia Springs, GA 30122

Western Distribution Center
1750 Archibald Avenue
Ontario, CA 91760



FIG.2



FOR JUNCTION BOX (Fig. 2, if necessary)

8. Secure the mounting ring (I1) to the junction box (F1) using the junction screws (E1). Make sure the two threaded holes (spacing 2-3/4") are horizontal as shown in Fig. 2.

9. Put the mounting plate (B1) and the conversion plate (P1) onto the mounting ring (I1). Align the two holes on mounting plate (B1), the slots on conversion plate (P1) and the two threaded holes (spacing 2-3/4") on mounting ring (I1). Fasten using screws (Q1).

10. Fasten the wood screws (J1) and metal tube (G1) into the mounting anchors (K1). Make sure the metal tube (G1) is between the wall and the mounting plate (B1), hold the mounting plate (B1) well. Tighten the mounting plate (B1) to the wall.

11. Place the fixture (M1) over the mounting plate (B1) and secure with mounting screws (A1).