

INSTALLATION INSTRUCTION

Vie - dwelLED™

WS-6614, WS-6620

WAC LIGHTING

Responsible Lighting®

WARNING

IMPORTANT: NEVER attempt any work without shutting off the electricity.

- Read all instructions before installing.
- System is intended for installation by a qualified electrician in accordance with the National Electrical Code and local regulations.
- Go to the main fuse box, or circuit breaker. Place the main power switch in the "OFF" position and unscrew the fuse(s) or switch "OFF" the circuit breaker switch(es) that control the power to the fixture or room that you are working on.
- Place the wall switch in the "OFF" position.

CAUTION

- All parts must be used as indicated in these instructions. Do not substitute any parts, leave parts out, or use any parts that are worn out or broken. Failure to follow this instruction could invalidate the ETL/CETL listing of this fixture. CAUTION When handling the fixture, do not apply pressure to the LEDs. Hold the fixture by the base only.

AVERTISSEMENT

IMPORTANT : Coupez l'électricité avant TOUTE manipulation.

- Lisez toutes les instructions avant d'installer.
- Système est destiné à être installé par un électricien qualifié en conformité avec le code national de l'électricité et les règlements locaux.
- Accédez au panneau central de disjoncteurs ou de fusibles de votre demeure et placez l'interrupteur principal en position d'arrêt (« OFF »).
- Placez l'interrupteur mural en position d'arrêt (« OFF »).

MISE EN GARDE

- Toutes les pièces doivent être utilisées tel qu'il est indiqué dans ces instructions. Ne remplacez pas les pièces, n'en laissez pas de côté et ne les utilisez pas si elles sont usées ou brisées. Le non-respect de ces instructions peut annuler l'homologation ETL/CETL du luminaire. MISE EN GARDE Ors de la manipulation de l'appareil, ne pas appliquer de pression à la LED, tenir l'appareil par la seule base.

ADVERTENCIA

IMPORTANTE: NUNCA intente hacer trabajos sin desconectar el suministro eléctrico.

- Lea y comprenda todas las instrucciones e ilustraciones por completo antes de proceder con el ensamblaje e instalación de esta lámpara.
- Sistema está diseñado para ser instalado por un electricista calificado, de acuerdo con el código eléctrico nacional y las normas locales.
- Diríjase a la caja de fusibles o a la caja del interruptor de circuito principal en su hogar. Coloque el interruptor de alimentación principal en la posición "OFF" (APAGADO).
- Coloque el interruptor de la pared en la posición "OFF" (APAGADO).

PRECAUCIÓN

- Todas las piezas deben usarse como lo indican estas instrucciones. No reemplace las piezas, no omita piezas durante la instalación ni utilice piezas gastadas o rotas. El incumplimiento de esta indicación podría invalidar la calificación ETL/CETL esta lámpara. PRECAUCIÓN Al manipular el aparato, no aplique presión a los LED, mantenga el aparato en la base sólo.

HARDWARE

B1



Wire
Connector
Qty:3

J1



Junction Box
Screw
Qty:2+1 Extra

A1



Mounting
Screw
Qty:1 Extra

C1



Screw
Qty:1 Extra

G1



Plastic
Anchor
Qty:2

P1



Wood
Screw
Qty:2

WAC Lighting

www.waclighting.com

Phone (800) 526.2588 • Fax (800) 526.2585

Headquarters/Eastern Distribution Center

44 Harbor Park Drive • Port Washington, NY 11050

Phone (516) 515.5000 • Fax (516) 515.5050

Western Distribution Center

1750 Archibald Ave • Ontario, CA 91761

Phone (800) 526.2588 • Fax (800) 526.2585

INSTALLATION INSTRUCTION

Vie - dwelLED™

WS-6614, WS-6620

WAC LIGHTING

Responsible Lighting®

PREPARATION

1. Shut off the power at the circuit breaker and remove existing fixture, including the crossing bar.

2. Carefully unpack your new fixture and lay out all the parts on a clear area. Be careful not to lose any small parts necessary for installation.

MOUNTING THE FIXTURE (Fig. 1)

3. Remove the screws (A1) from the fixture.

4. Drill holes in the wall aligned with the key hole location in mounting plate (E1). Insert plastic anchors (G1) into holes.

5. Secure the mounting plate (E1) to the junction box (F1) using junction box screws (J1). The side of the mounting plate marked "GND" must face out.

6. Place the glass (M1) into the ring (L1). Secure onto the fixture back plate using screws (C1) from back.

7. Fasten wood screws (P1) into plastic anchors (G1) and hold the mounting plate (E1) tight.

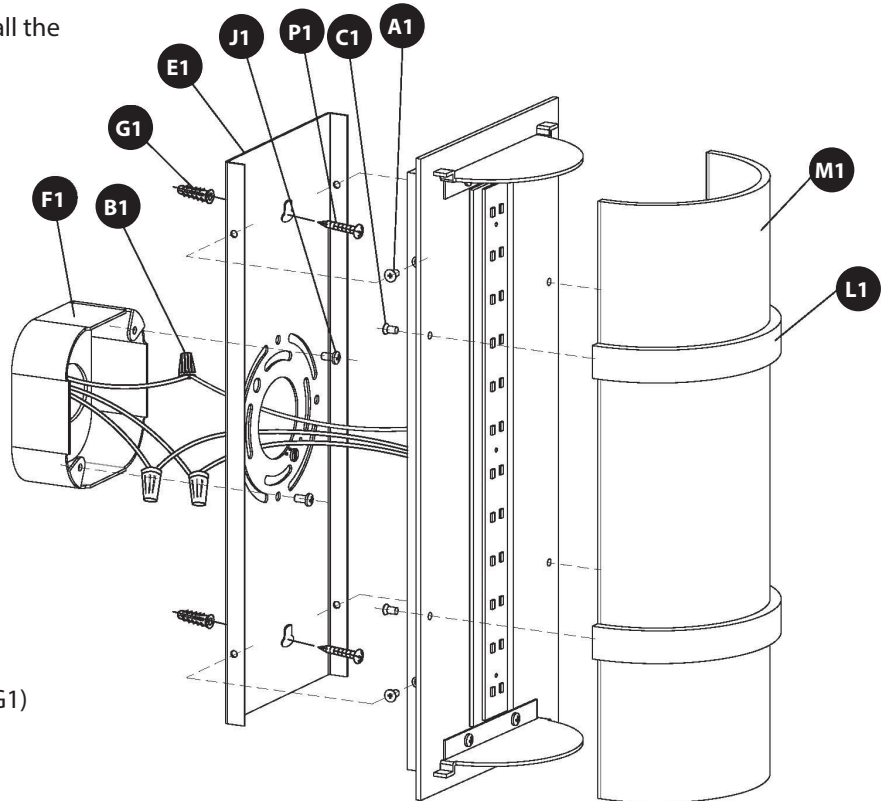
CONNECTING THE WIRES (Fig. 2)

8. Connect the input wires to junction box wires as shown in Fig. 2, making sure that all wire connectors (B1) are secured. If your outlet box has a green or bare copper ground wire, connect the fixture's ground wire to it. Otherwise, connect the fixture's ground wire directly to the back plate (E1) using the green screw provided. After wires are connected, tuck them carefully inside the junction box.

MOUNTING THE FIXTURE (Fig. 1)

9. Place the fixture over the mounting plate (E1) and secure with screws (A1).

FIG.1



100%-10% DIMMING

COMPATIBLE WITH THE FOLLOWING ELECTRONIC LOW VOLTAGE (ELV) DIMMERS

Brand	Model
LUTRON	SELV-300P
LUTRON	DVELV-300P
LEVITON	MLE03-1

FIG.2

Fixture Wires

Black or Smooth

Fixture Wires

White or Ribbed

Fixture Wires

Bare Copper (Ground)



House Wires

Black (Hot)

House Wires

White (Neutral)

House Wires

Green or Bare Copper (Ground)

WAC Lighting

www.waclighting.com

Phone (800) 526.2588 • Fax (800) 526.2585

Headquarters/Eastern Distribution Center

44 Harbor Park Drive • Port Washington, NY 11050

Phone (516) 515.5000 • Fax (516) 515.5050

Western Distribution Center

1750 Archibald Ave • Ontario, CA 91761

Phone (800) 526.2588 • Fax (800) 526.2585

INSTALLATION INSTRUCTION

Vie - dwelLED™

WS-6618, WS-6624, WS-6636

WAC LIGHTING

Responsible Lighting®

WARNING

IMPORTANT: NEVER attempt any work without shutting off the electricity.

- Read all instructions before installing.
- System is intended for installation by a qualified electrician in accordance with the National Electrical Code and local regulations.
- Go to the main fuse box, or circuit breaker. Place the main power switch in the "OFF" position and unscrew the fuse(s) or switch "OFF" the circuit breaker switch(es) that control the power to the fixture or room that you are working on.
- Place the wall switch in the "OFF" position.

CAUTION

- All parts must be used as indicated in these instructions. Do not substitute any parts, leave parts out, or use any parts that are worn out or broken. Failure to follow this instruction could invalidate the ETL/CETL listing of this fixture. CAUTION When handling the fixture, do not apply pressure to the LEDs. Hold the fixture by the base only.

AVERTISSEMENT

IMPORTANT : Coupez l'électricité avant TOUTE manipulation.

- Lisez toutes les instructions avant d'installer.
- Système est destiné à être installé par un électricien qualifié en conformité avec le code national de l'électricité et les règlements locaux.
- Accédez au panneau central de disjoncteurs ou de fusibles de votre demeure et placez l'interrupteur principal en position d'arrêt (« OFF »).
- Placez l'interrupteur mural en position d'arrêt (« OFF »).

MISE EN GARDE

- Toutes les pièces doivent être utilisées tel qu'il est indiqué dans ces instructions. Ne remplacez pas les pièces, n'en laissez pas de côté et ne les utilisez pas si elles sont usées ou brisées. Le non-respect de ces instructions peut annuler l'homologation ETL/CETL du luminaire. MISE EN GARDE Ors de la manipulation de l'appareil, ne pas appliquer de pression à la LED, tenir l'appareil par la seule base.

ADVERTENCIA










IMPORTANTE: NUNCA intente hacer trabajos sin desconectar el suministro eléctrico.

- Lea y comprenda todas las instrucciones e ilustraciones por completo antes de proceder con el ensamblaje e instalación de esta lámpara.
- Sistema está diseñado para ser instalado por un electricista calificado, de acuerdo con el código eléctrico nacional y las normas locales.
- Diríjase a la caja de fusibles o a la caja del interruptor de circuito principal en su hogar. Coloque el interruptor de alimentación principal en la posición "OFF" (APAGADO).
- Coloque el interruptor de la pared en la posición "OFF" (APAGADO).

PRECAUCIÓN

- Todas las piezas deben usarse como lo indican estas instrucciones. No reemplace las piezas, no omita piezas durante la instalación ni utilice piezas gastadas o rotas. El incumplimiento de esta indicación podría invalidar la calificación ETL/CETL esta lámpara. PRECAUCIÓN Al manipular el aparato, no aplique presión a los LED, mantenga el aparato en la base sólo.

HARDWARE

									
Wire Connector Qty:3	Junction Box Screw Qty:2+1 Extra	Mounting Screw Qty:1 Extra	Screw Qty:1 Extra	Mounting Anchor Qty:2	Wood Screw Qty:2	Metal Tube Qty:2	Mounting Ring Qty:1	Conversation Plate Qty:1	Screw Qty:2+1 Extra

WAC Lighting

www.waclighting.com

Phone (800) 526.2588 • Fax (800) 526.2585

Headquarters/Eastern Distribution Center

44 Harbor Park Drive • Port Washington, NY 11050

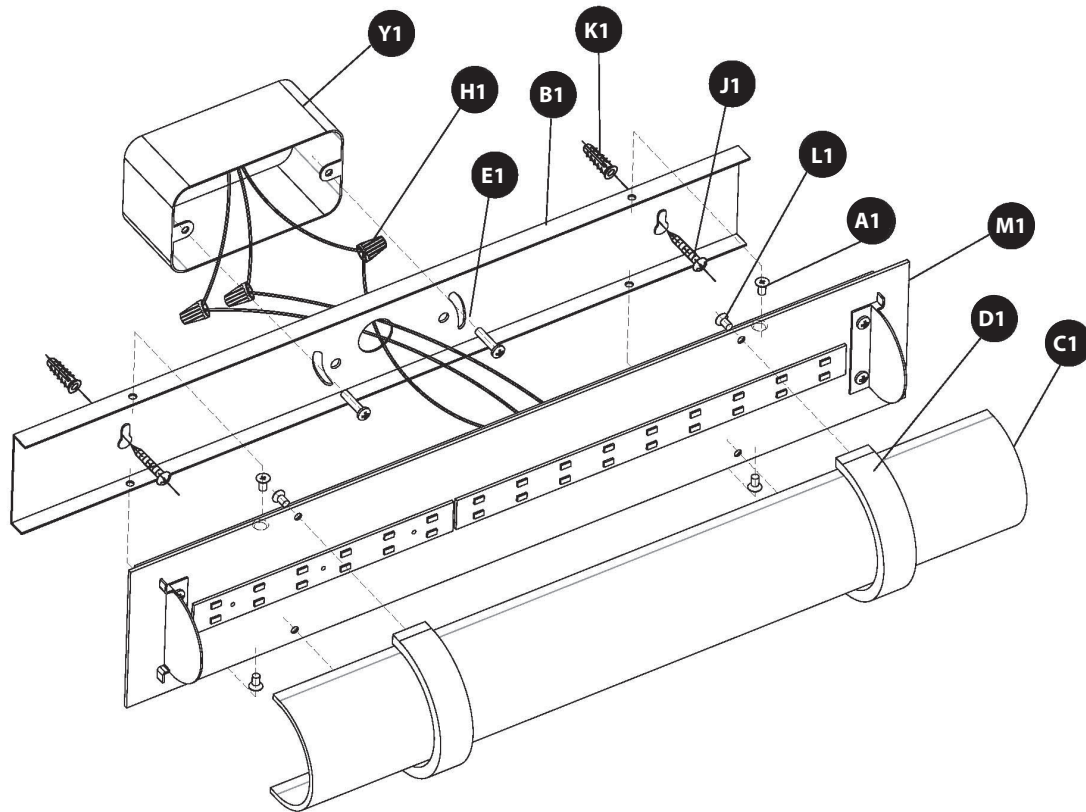
Phone (516) 515.5000 • Fax (516) 515.5050

Western Distribution Center

1750 Archibald Ave • Ontario, CA 91761

Phone (800) 526.2588 • Fax (800) 526.2585

FIG.1



PREPARATION

1. Shut off the power at the circuit breaker and remove existing fixture including the mounting hardware.
2. Carefully unpack your new fixture and lay out all the parts on a clear area. Be careful not to lose any small parts necessary for installation.

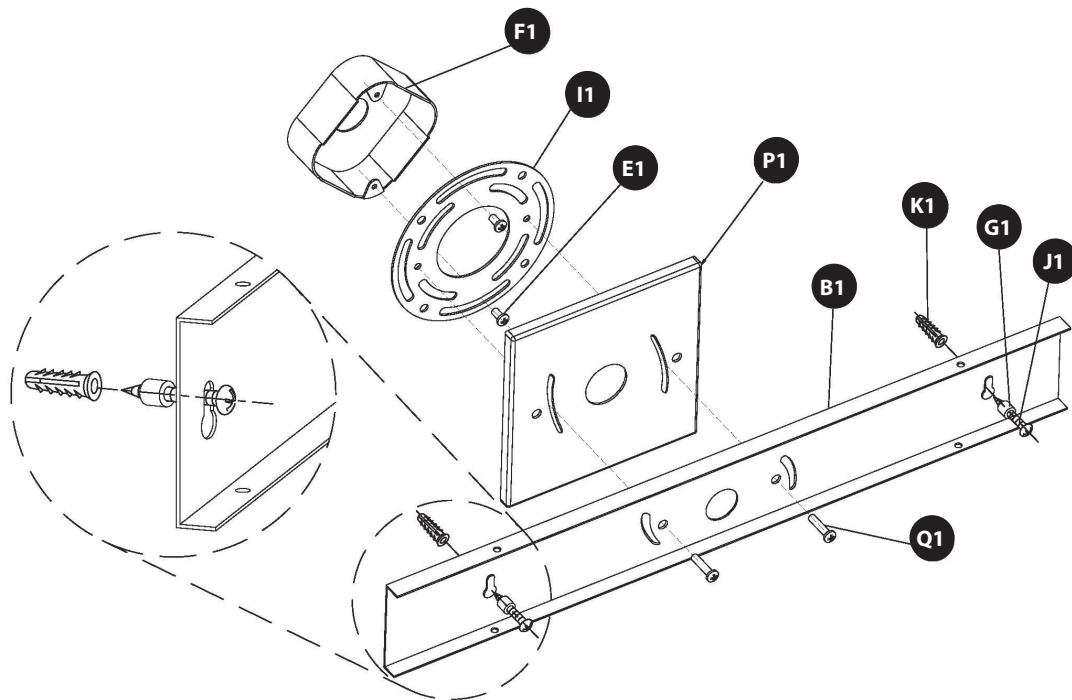
MOUNTING THE FIXTURE (Fig. 1)

3. Remove the mounting screws (A1) from the fixture.
4. Place the glass (C1) into the ring (D1), secure from the back of fixture back plate (M1) using screws (L1).
5. Drill holes in the wall aligned with the key-hole location in the mounting plate (B1). Insert the mounting anchors (K1).

FOR SWITCH BOX (Fig. 1)

6. Secure the mounting plate (B1) to the switch box (Y1) using the junction screws (E1). The side of the mounting plate marked "GND" (B1) must face out.
7. Fasten the wood screws (J1) into the mounting anchors (K1). Tighten the mounting plate (B1) to the wall.

FIG.2



FOR JUNCTION BOX (Fig. 2, if necessary)

8. Secure the mounting ring (I1) to the junction box (F1) using the junction screws (E1). Make sure the two threaded holes (spacing 2-3/4") are horizontal as shown in Fig. 2.

9. Put the mounting plate (B1) and the conversion plate (P1) onto the mounting ring (I1). Align the two holes on mounting plate (B1), the slots on conversion plate (P1) and the two threaded holes (spacing 2-3/4") on mounting ring (I1). Fasten using screws (Q1).

10. Fasten the wood screws (J1) and metal tube (G1) into the mounting anchors (K1). Make sure the metal tube (G1) is between the wall and the mounting plate (B1), hold the mounting plate (B1) well. Tighten the mounting plate (B1) to the wall.

CONNECTING THE WIRES (Fig. 3)

10. Connect the electrical wires as shown in Fig. 3, making sure that all wire connectors are secured. If your outlet box has a green or bare copper ground wire, connect the fixture's ground wire to it. Otherwise, connect the fixture's ground wire directly to the mounting plate (B1) or mounting ring (I1) using the green screw provided. After wires are connected, tuck them carefully inside the junction box.

11. Place the fixture over the mounting plate (B1) and secure with screws (A1).

**100%-10% DIMMING
 COMPATIBLE WITH THE FOLLOWING ELECTRONIC
 LOW VOLTAGE (ELV) DIMMERS**

Brand	Model
LUTRON	SELV-300P
LUTRON	DVELV-300P
LEVITON	MLE03-1

FIG.3

