

INSTALLATION INSTRUCTION
Svelte - dweLED
WS-7316F, WS-7322F, WS-7334F

WAC LIGHTING
 Responsible Lighting®

WARNING

IMPORTANT: NEVER attempt any work without shutting off the electricity.

- Read all instructions before installing.
- System is intended for installation by a qualified electrician in accordance with the National Electrical Code and local regulations.
- Go to the main fuse box, or circuit breaker. Place the main power switch in the "OFF" position and unscrew the fuse(s) or switch "OFF" the circuit breaker switch(es) that control the power to the fixture or room that you are working on.
- Place the wall switch in the "OFF" position.

CAUTION

- All parts must be used as indicated in these instructions. Do not substitute any parts, leave parts out, or use any parts that are worn out or broken. Failure to follow this instruction could invalidate the ETL/CETL listing of this fixture.
- CAUTION** When handling the fixture, do not apply pressure to the LEDs. Hold the fixture by the base only.

AVERTISSEMENT

IMPORTANT : Coupez l'électricité avant TOUTE manipulation.

- Lisez toutes les instructions avant d'installer.
- Système est destiné à être installé par un électricien qualifié en conformité avec le code national de l'électricité et les règlements locaux.
- Accédez au panneau central de disjoncteurs ou de fusibles de votre demeure et placez l'interrupteur principal en position d'arrêt (« OFF »).
- Placez l'interrupteur mural en position d'arrêt (« OFF »).

MISE EN GARDE

- Toutes les pièces doivent être utilisées tel qu'il est indiqué dans ces instructions. Ne remplacez pas les pièces, n'en laissez pas de côté et ne les utilisez pas si elles sont usées ou brisées. Le non-respect de ces instructions peut annuler l'homologation ETL/CETL du luminaire. **MISE EN GARDE** Ors de la manipulation de l'appareil, ne pas appliquer de pression à la LED, tenir l'appareil par la seule base.

ADVERTENCIA

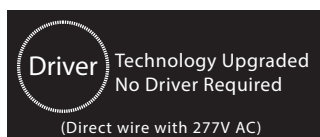
IMPORTANTE: NUNCA intente hacer trabajos sin desconectar el suministro eléctrico.

- Lea y comprenda todas las instrucciones e ilustraciones por completo antes de proceder con el ensamblaje e instalación de esta lámpara.
- Sistema está diseñado para ser instalado por un electricista calificado, de acuerdo con el código eléctrico nacional y las normas locales.
- Diríjase a la caja de fusibles o a la caja del interruptor de circuito principal en su hogar. Coloque el interruptor de alimentación principal en la posición "OFF" (APAGADO).
- Coloque el interruptor de la pared en la posición "OFF" (APAGADO).

PRECAUCIÓN

- Todas las piezas deben usarse como lo indican estas instrucciones. No reemplace las piezas, no omita piezas durante la instalación ni utilice piezas gastadas o rotas. El incumplimiento de esta indicación podría invalidar la calificación ETL/CETL esta lámpara. **PRECAUCIÓN** Al manipular el aparato, no aplique presión a los LED, mantenga el aparato en la base sólo.

HARDWARE



Wire Connector Qty: 3	Junction Box Screw Qty: 2 + 1 Extra	Mounting Screw Qty: 4 + 1 Extra	Screw Qty: 2 + 1 Extra	Mounting Anchor Qty: 2	Wood Screw Qty: 2	Underprop Qty: 2
--------------------------	---	---------------------------------------	---------------------------	------------------------------	----------------------	---------------------

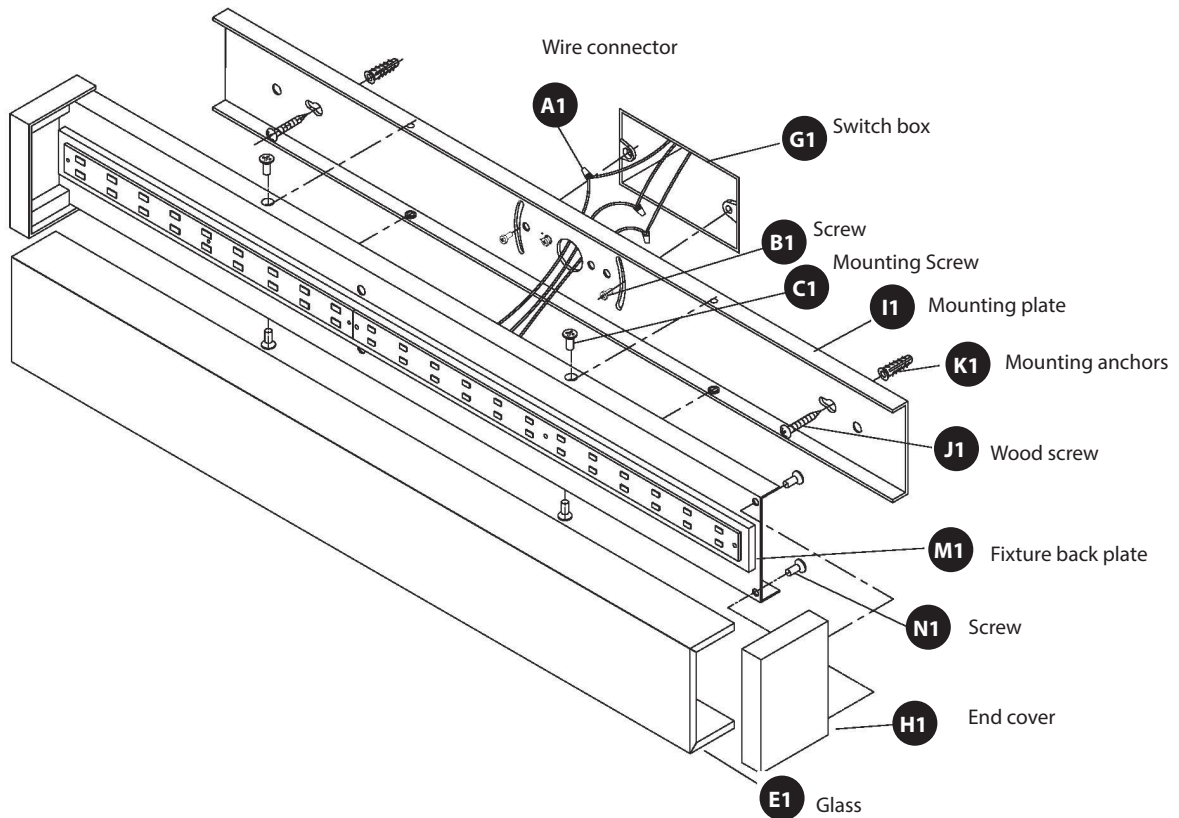
WAC Lighting
 www.waclighting.com
 Phone (800) 526.2588 • Fax (800) 526.2585

Headquarters/Eastern Distribution Center
 44 Harbor Park Drive • Port Washington, NY 11050
 Phone (516) 515.5000 • Fax (516) 515.5050

Western Distribution Center
 1750 Archibald Ave • Ontario, CA 91761
 Phone (800) 526.2588 • Fax (800) 526.2585



FIG.1



PREPARATION

1. Shut off the power at the circuit breaker and remove existing fixture. Including the mounting hardware.
2. Carefully unpack your new fixture and lay out all the parts on a clear area. Be careful to lose any small parts necessary for installation.

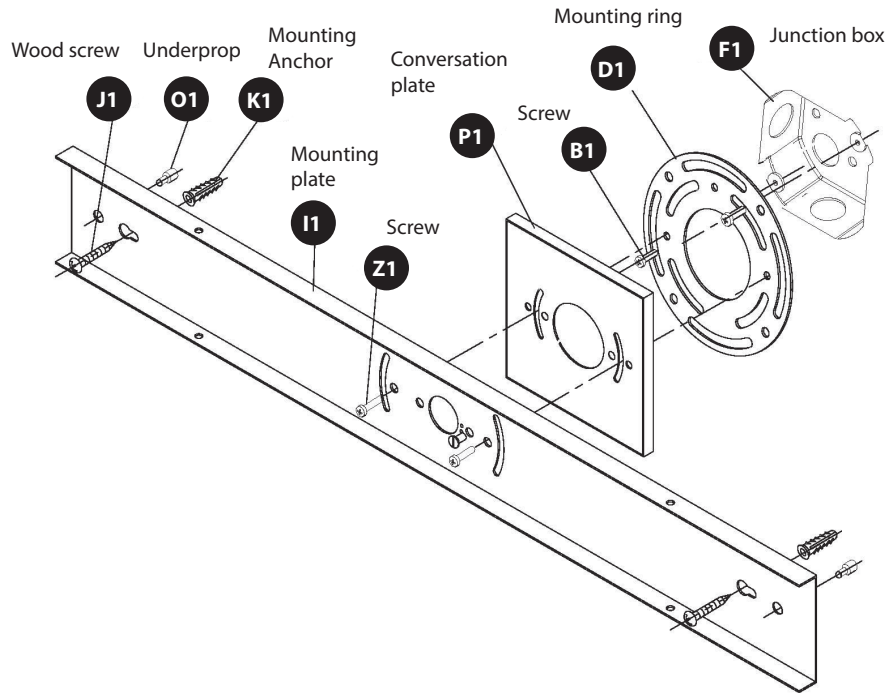
MOUNTING THE FIXTURE

3. Remove the mounting screws (C1) from the fixture.
4. Place the glass (E1) onto the fixture back plate (M1). Hold using end cover (H1). Secure with screws (N1) from the fixture back plate (M1) inside.
5. Connect the electrical wires as shown in Fig. 3, making sure that all wire connectors are secured. Fixture and junction box ground wires should be connected to mounting plate using green screw provided. After wires are connected, tuck them carefully inside the junction box.

FOR SWITCH BOX (Fig. 1)

6. Drill holes in the wall aligned with the key-hole location in the mounting plate (I1). Insert the mounting anchors (K1).
7. Secure the mounting plate (I1) to the switch box (G1) using screws (B1). The side of the mounting plate marked "GND" (I1) must face out.
8. Fasten the wood screws (J1) into the mounting anchors (K1). Tighten the mounting plate (I1) on the wall.

FIG.2



FOR JUNCTION BOX (Fig. 2, if necessary)

9. Secure the mounting ring (D1) to the junction box (F1) using screws (B1). Make sure the two holes (spacing 2-3/4") are in a horizontal direction as shown in Fig. 2.

10. Thread the underprop (O1) into the mounting plate (I1) from back.

11. Put the mounting plate (I1) and the conversation plate (P1) onto the mounting ring (D1). Make sure the two holes on mounting plate (I1), the two slots on conversation plate (P1) and the two holes (spacing 2-3/4") are aligned. Fasten them using screws (Z1).

12. Place the fixture (M1) over the mounting plate (I1) and secure with screws (C1).

Fig.2 Wiring

