

WARNING

IMPORTANT: NEVER attempt any work without shutting off the electricity.

- Read all instructions before installing.
- System is intended for installation by a qualified electrician in accordance with the National Electrical Code and local regulations.
- Go to the main fuse box, or circuit breaker. Place the main power switch in the "OFF" position and unscrew the fuse(s) or switch "OFF" the circuit breaker switch(es) that control the power to the fixture or room that you are working on.
- Place the wall switch in the "OFF" position.

CAUTION

- All parts must be used as indicated in these instructions. Do not substitute any parts, leave parts out, or use any parts that are worn out or broken. Failure to follow this instruction could invalidate the ETL/CETL listing of this fixture. CAUTION When handling the fixture, do not apply pressure to the LEDs. Hold the fixture by the base only.

AVERTISSEMENT

IMPORTANT : Coupez l'électricité avant TOUTE manipulation.

- Lisez toutes les instructions avant d'installer.
- Système est destiné à être installé par un électricien qualifié en conformité avec le code national de l'électricité et les règlements locaux.
- Accédez au panneau central de disjoncteurs ou de fusibles de votre demeure et placez l'interrupteur principal en position d'arrêt (« OFF »).
- Placez l'interrupteur mural en position d'arrêt (« OFF »).

MISE EN GARDE

- Toutes les pièces doivent être utilisées tel qu'il est indiqué dans ces instructions. Ne remplacez pas les pièces, n'en laissez pas de côté et ne les utilisez pas si elles sont usées ou brisées. Le non-respect de ces instructions peut annuler l'homologation ETL/CETL du luminaire. MISE EN GARDE Ors de la manipulation de l'appareil, ne pas appliquer de pression à la LED, tenir l'appareil par la seule base.

ADVERTENCIA

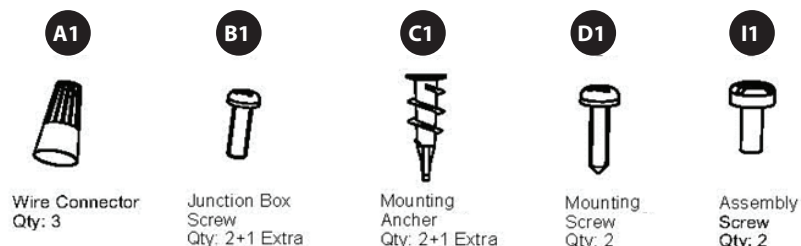
IMPORTANTE: NUNCA intente hacer trabajos sin desconectar el suministro eléctrico.

- Lea y comprenda todas las instrucciones e ilustraciones por completo antes de proceder con el ensamblaje e instalación de esta lámpara.
- Sistema está diseñado para ser instalado por un electricista calificado, de acuerdo con el código eléctrico nacional y las normas locales.
- Diríjase a la caja de fusibles o a la caja del interruptor de circuito principal en su hogar. Coloque el interruptor de alimentación principal en la posición "OFF" (APAGADO).
- Coloque el interruptor de la pared en la posición "OFF" (APAGADO).

PRECAUCIÓN

- Todas las piezas deben usarse como lo indican estas instrucciones. No reemplace las piezas, no omita piezas durante la instalación ni utilice piezas gastadas o rotas. El incumplimiento de esta indicación podría invalidar la calificación ETL/CETL esta lámpara. PRECAUCIÓN Al manipular el aparato, no aplique presión a los LED, mantenga el aparato en la base sólo.

HARDWARE



INSTALLATION INSTRUCTION
INFINITI- dwelLED™
 WS-W5720

PREPARATION

1. Shut off the power at the circuit breaker and remove existing fixture, including the crossbar.
2. Carefully unpack your new fixture and lay out all the parts on a clear area. Be careful not to lose any small parts necessary for installation.

MOUNTING THE FIXTURE (Fig. 1)

3. Remove the assembly screws (I1) from the fixture frame (J1), and set aside for re-assembling the fixture.
4. Drill the holes in the proper position on the wall according to the keyholes located on the mounting back plate (H1). Insert the plastic anchors (C1) into the wall.

CONNECTING THE WIRES (Fig. 2)

5. Connect the supply wires (F1) with the transformer input wires as shown in Fig.2.
6. Secure the mounting back plate (H1) to the junction box (E1) using junction box screws (B1). Fasten to the wall using the assembly screws (D1).
***Requires Driver to be recessed within the junction box!**

7. Connect the transformer output wires with fixture wires as shown in Fig. 2 making sure that all wire connectors (A1) are secured. If your outlet box has a ground wire (green or bare copper), connect the fixture's ground wire to it. Otherwise, connect the fixture ground wire directly to the mounting back plate (H1) using the green screw provided. After wires are connected, tuck them carefully inside the junction box.

COMPLETING INSTALLATION (Fig. 1)

8. Place the fixture frame (J1) over the mounting back plate (HH). Make sure the bottom of the frame is aligned to the bottom of the back plate as shown in Fig.1.
9. Secure the fixture frame (J1) to the mounting back plate with the mounting screws (I1).

100%-10% DIMMING
COMPATIBLE WITH THE FOLLOWING ELECTRONIC
LOW VOLTAGE (ELV) DIMMERS

Brand	Model
LUTRON	DVELV-300P, SELV-300P

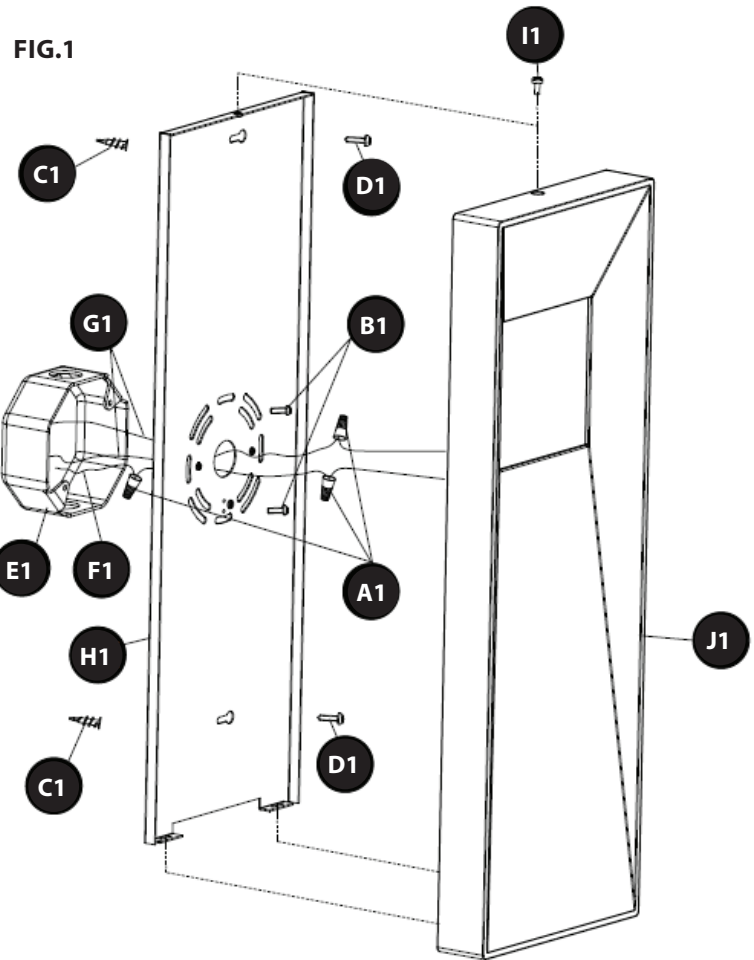


FIG.2

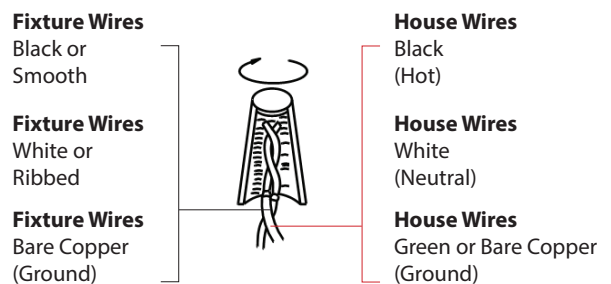


FIG.3

