

Instruction: LED WALL SCONCE BRACKET

Model: WS-MR58LED

CAUTION:

- Always turn off power at main switch prior to installation to prevent electrical shock.
- Intended for installation in accordance with National Electrical Code, and local regulations.
- For installation by a qualified electrician.
- Install over a standard 4-inch junction box.

Overview:

WS-MR58LED is designed to accept glass shades from the G500 series. Check catalog for various style and color choices.

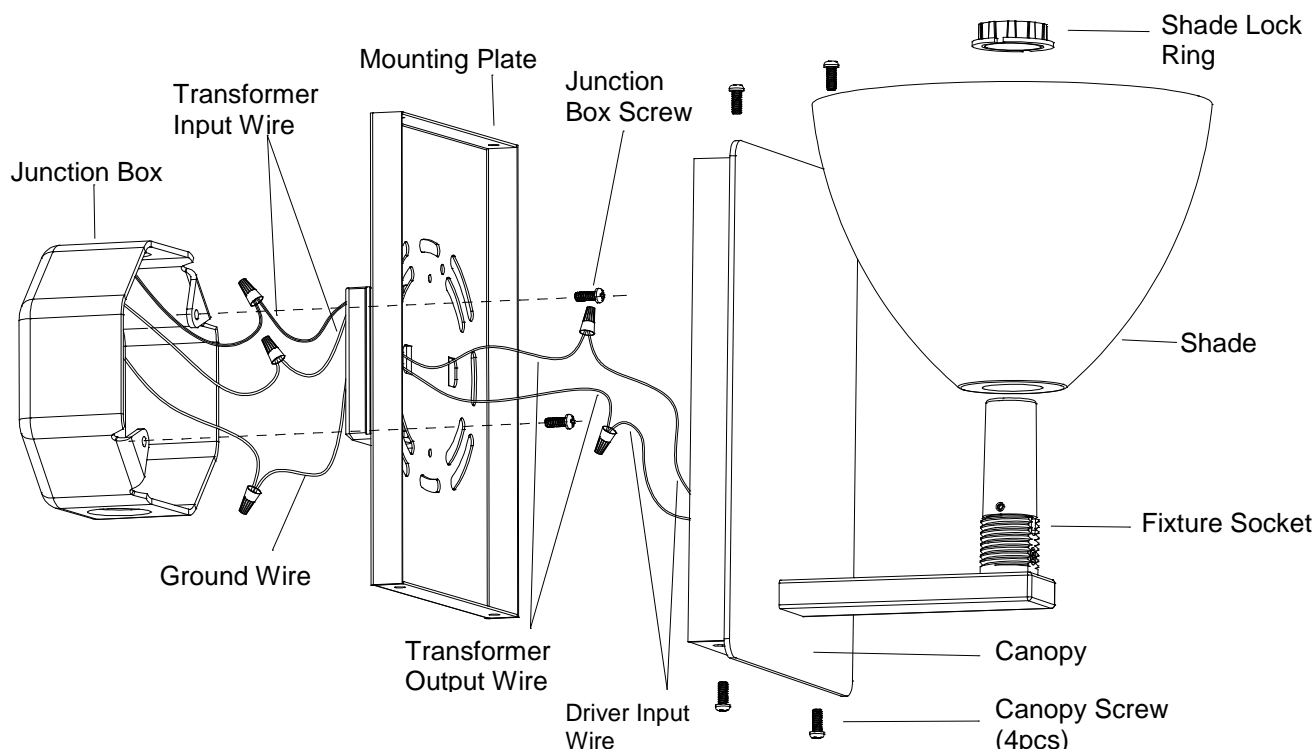
WS-MR58LED comes with a self-contained electronic transformer that may be dimmed with an electronic low voltage dimmer switch.

Fixture Installation:

1. Loosen the four canopy screws and separate the canopy from the mounting plate.
2. Connect ground wire from junction box to the grounding wire on the mounting plate.
3. Connect corresponding colored wires from the junction box to fixture wires, with wire connectors.
4. Tuck excess wire into the junction box. Attach the mounting plate to the junction box using the slotted holes.
5. Connect the transformer output wires to the driver input wires using the wire connector.
6. Position the canopy to the mounting plate, and tighten the four screws loosened earlier.

Installing Lamp & Shade:

1. Unlock the shade lock ring from the fixture socket.
2. Position shade so that threads go through the hole in the shade and screw on shade lock ring from above.



Instruction: LOW VOLTAGE WALL SCONCE BRACKET

Model: WS-MR58

CAUTION:

- Always turn off power at main switch prior to installation to prevent electrical shock.
- Intended for installation in accordance with National Electrical Code, and local regulations.
- For installation by a qualified electrician.
- Install over a standard 4-inch junction box.

Overview:

WS-MR58 is designed to accept glass shades from the G500 series. Check catalog for various style and color choices.

WS-MR58 comes with a self-contained electronic transformer that may be dimmed with an electronic low voltage dimmer switch.

Fixture Installation:

1. Loosen the four canopy screws and separate the canopy from the mounting plate.
2. Connect ground wire from junction box to the grounding wire on the mounting plate.
3. Connect corresponding colored wires from the junction box to fixture wires, with wire connectors.
4. Tuck excess wire into the junction box. Attach the mounting plate to the junction box using the slotted holes.
5. Connect the transformer output wires to the fixture wires using the wire connector.
6. Position the canopy to the mounting plate, and tighten the four screws loosened earlier.

Installing Shade:

1. Use 12V 50W bi-pin Halogen lamp with G6.35 base (supplied).
2. Insert the lamp into the fixture by aligning the pins with the socket holes, and gently pushing until lamp seats.
3. Position shade so that threads go through the hole in the shade and screw on Bulb Shield from above.

