

INSTRUCTIONS

Flexrail2 Power Adapter

Rod Models:

HM-PCT6 HM-PCT12 HM-PCT24 HM-PCT36
HM-PCT48

Flexible Models:

HM-PCC12 HM-PCC24 HM-PCC36 HM-PCC48
HM-PCC96

Safety Instructions:

For installation by a qualified electrician. System is intended for installation in accordance with National Electric Code, local and Federal code specifications.

To reduce the risk of fire, electrical shock and injuries to persons:

1. Turn off power at main switch before installing or modifying the system.
2. Do not load rail to more than 20 amps per circuit.

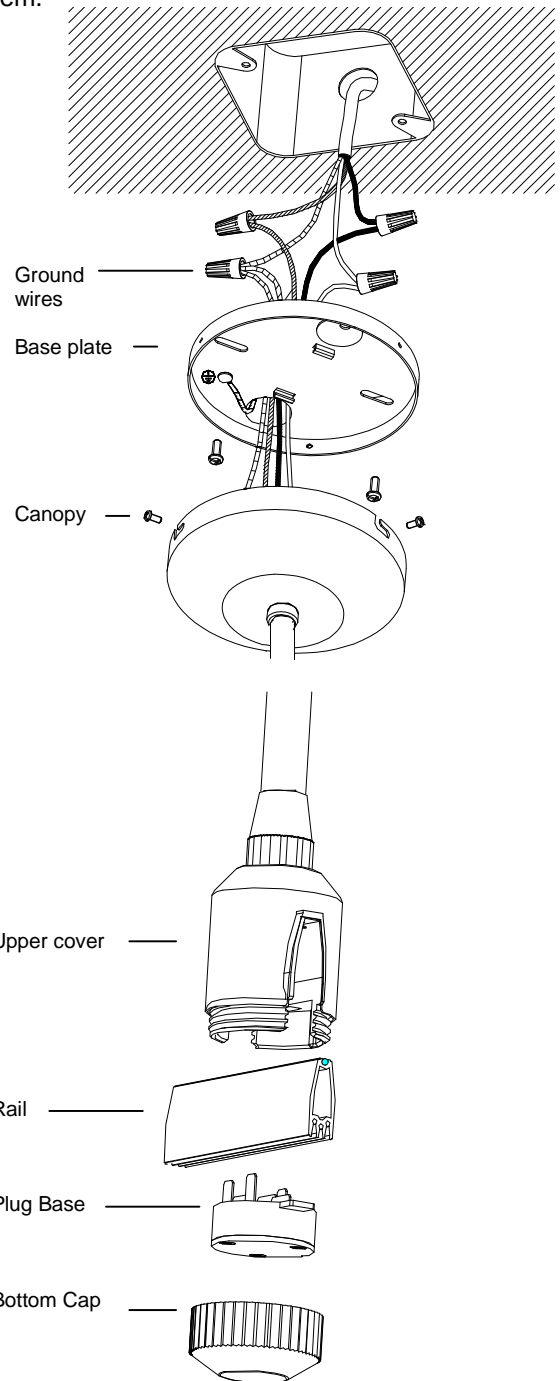
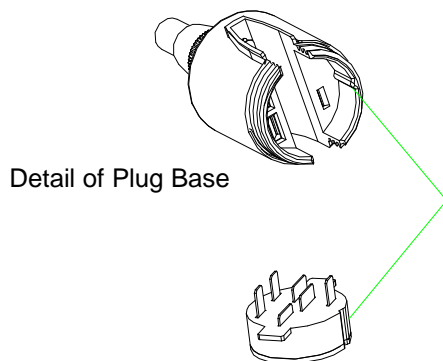
Mounting to Ceiling:

Attaches to a standard 4" fixture box.

1. Two circuit capability enables the use of one feed circuit with two switches, or two feed circuits (120V/240, 60Hz single phase with grounded neutral) with two switches.
2. May also be used as single circuit, with one switch. When using as single circuit fixtures can only be installed from one side. The unused wire must be capped with a wire nut.
3. Remove a knock out from the plate and draw wires coming from the canopy through the hole, and into the junction box.
4. Wires from the canopy are color-coded. The white wire is the neutral wire to be joined with the white neutral wire from the ceiling.
5. The green wires (both fixture and base plate) are the ground wires to be connected with the ceiling ground wire.
6. A black and red wire remain, these are hot wires. Join the black wire to the black ceiling wire from the first circuit. Join the red wire to the remaining ceiling wire from the second circuit (may be an alternate color or marking).
7. Secure all connections with wire nuts and tuck excess wire back into the junction box.
8. Secure the base plate to the junction box, with two screws through the slotted holes.
9. Secure the canopy to the base plate.

Attaching to rail:

1. Unscrew the bottom cap.
2. Pull the plug base from the upper cover.
3. Place the rail into the recess of the upper cover and replace the plug base.
4. Reinstall the bottom cap.



Flexible Power feeds:

The flexible power feeds mount to the junction box and rail in the same manner as the rod version. They have the advantage of being able to be field cuttable.

Field Cutting:

1. Loosen the cord fitter and remove cable from the canopy.
2. Cut both spring covering and cable to desired length.
3. Trim 4" of the outer cable jacket and spring away from the colored coded wires.
4. Re-insert the cable through the cord fitter and canopy until the cable insulation is 1/2" above the canopy nut.
5. Tighten the cord fitter.
6. Follow instructions for wire connections as described in "Mounting to ceiling".

