

## INSTALLATION INSTRUCTIONS: Low Voltage Track Luminaires - IMPULSE

Models:

JHT-896LHT-896HHT-896

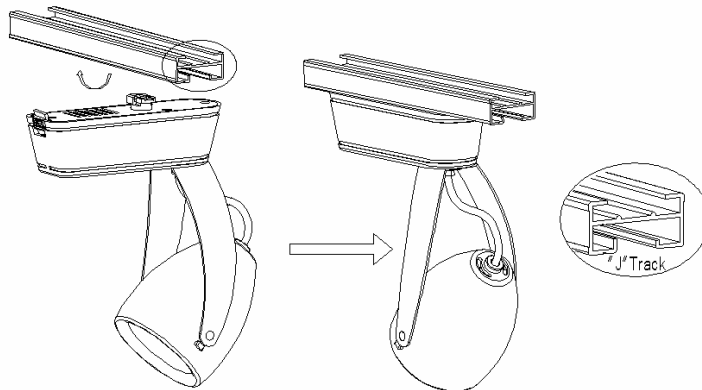
### CAUTION:

- For Use with WAC "J", "J2", "L", & "H" track systems. Fixture may also be used on other manufacturers' brands of track. (Consult factory for compatibility)
- To reduce the risk of a burn during re-lamping, remove from the track before re-lamping.
- Read all instructions before installing.

### INSTALLATION ON TRACK:

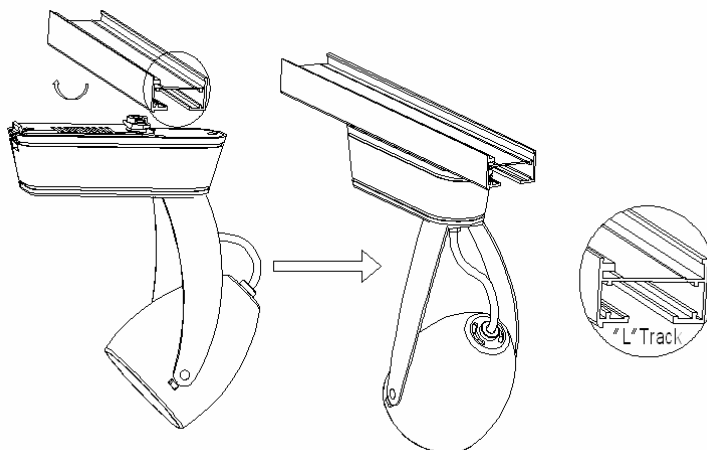
#### Fixture Installation for JHT-896

1. Fixtures are designed for use on "J" series WAC Lighting track only. They may also be used on other manufacturers' brands of track. (Consult factory for compatibility)  
Note: The track has a groove running its length to indicate polarity, and the locking tab has an arrow indicating locking direction.
2. Insert adapter into track slot and rotate it 90°. The arrow should point to the grooved side of the track.
3. Make sure the locking tab seats properly on the track slot.
4. Reverse procedure to remove. Track heads may be positioned anywhere along the track.



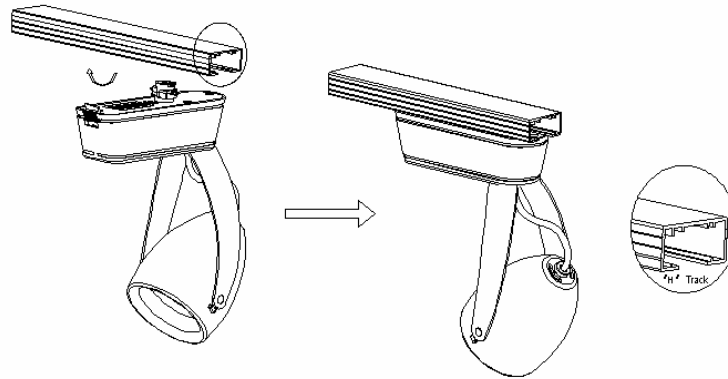
#### Fixture Installation for LHT-896

1. Fixtures are designed for use on "L" series WAC Lighting track only. They may also be used on other manufacturers' brands of track. (Consult factory for compatibility)  
Note: The track has a ridge running its length to indicate polarity, and the locking tab has a slant for easy installation.
2. Insert adapter into track slot and rotate it 90° so that the low side of the locking tab faces the ridged side of the track.
3. Make sure the locking tabs seat properly in the track slot.
4. Reverse procedure to remove. Track heads may be positioned anywhere along the track.



### Fixture Installation for HHT-896

1. Fixtures are designed for use on "H" series WAC Lighting track only. They may also be used on other manufacturers' brands of track. (Consult factory for compatibility)  
Note: The track has a groove running its length to indicate polarity, and the locking tab has contacts which are inserted into this groove.
2. The two contacts should be positioned so that when rotated, they will face the grooved side of the track. (This is the side with two flat copper wires running its length)
3. Insert adapter into track slot. Pull downward on the adapter while rotating the adapter 90°.
4. Release the adapter so the locking tab sits in the track slot.
5. Reverse procedure to remove. Track heads may be positioned anywhere along the track.



### RELAMPING:

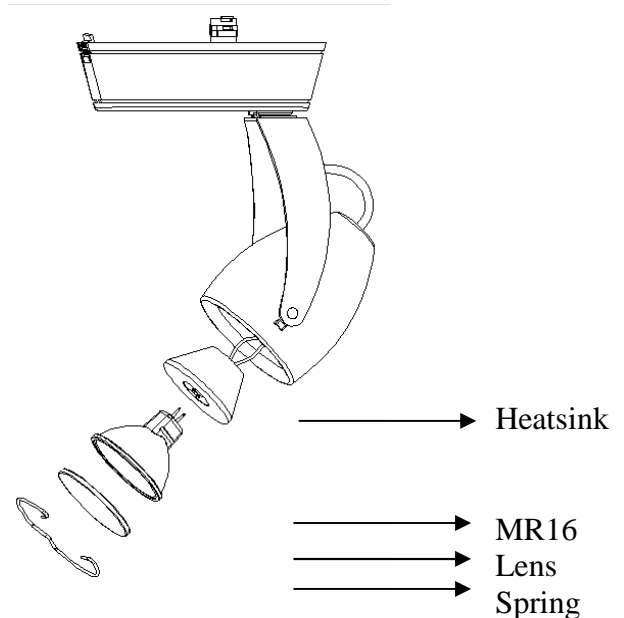
1. Turn the power off at the main switch
2. Remove the Spring, the Lens, and the Heatsink
3. Install the MR16 lamp
4. Reverse steps 1 and 2.

### OPTIONAL ACCESSORIES:

#### Lens (Specialty lenses may be ordered separately)

#### Replacing the Lens

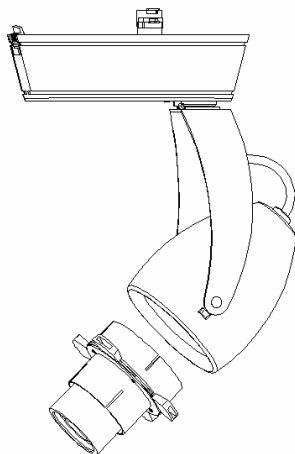
1. Squeeze the ends of the spring together and remove spring and lens
2. Replace lens and snap spring back into position



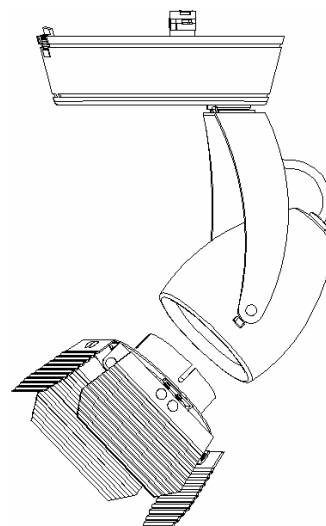
#### Framing Projector and Barn Doors (Ordered separately)

#### Installing Framing Projector or Barn Doors

These accessories are simply press-fitted by hand into the front of the fixture. Lens should be installed prior.



Framing Projector



Barn Doors