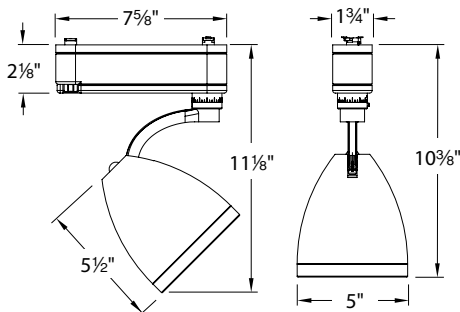


LARC – model: HID301

120V Track – R111 Metal Halide Luminaire



Fixture Type:

Catalog Number:

Project: _____

Location: _____

PRODUCT DESCRIPTION

Metal Halide track head using R111 lamps. Designed for use with WAC Lighting track and compatible with other manufacturer's track. (Consult factory for specific brands).

FEATURES

- 350° horizontal rotation and 90° vertical aiming with indexing scales, Spring loaded buttons lock to secure the aiming adjustment on horizontal and vertical axis
- Easily re-lamped from the front
- Utilize the second circuit on the J2 style track with the use of the JCLIP
- Accommodates up to 2 lenses and one accessory
- 5 year WAC Lighting product warranty

SPECIFICATIONS

Construction: Die-cast aluminum fixture, cap ring and check ring. Ceramic bi-pin socket. Clear 1/8" tempered glass lens included.

Ballast: Electronic. Input voltage: 120VAC/60Hz.

Lamp: R111 metal halide, 39W or 70W (not included).

Finish: Powder coat paint. Available in Black (BK) and White (WT).

Standards: UL & CUL Listed, Patent Pending.

ORDER NUMBER

System	Model #	Watt	Finish
LTK <i>L Track</i>	HID301	39E 39W	BK <i>Black</i>
HTK <i>H Track</i>		70E 70W	WT <i>White</i>
JTK <i>J Track</i>			

FINISHES



- **HID301** - -

Example: LTK-HID301-39E-WT

ACCESSORIES

Color Lens	LENS-111-	AMB <i>Amber</i>	UV Filter	LENS-111-UVF
Dichroic Color Lens	LENS-111-DIC-	BLU <i>Blue</i>	Frosted Lens	LENS-111-FR
		GRN <i>Green</i>	Spread Lens	LENS-111-SPR
		RED <i>Red</i>	Beam Elongating Lens	LENS-111-BEL
		YEL <i>Yellow</i>	Honeycomb Louver	LENS-112-HCL
			Cross Louver	LENS-112-CRL
			Wall Washing Hood	HOOD-111-BK

WAC Lighting

www.waclighting.com
Phone (800) 526.2588 • Fax (800) 526.2585

Headquarters/Eastern Distribution Center

44 Harbor Park Drive • Port Washington, NY 11050
Phone (516) 515.5000 • Fax (516) 515.5050

Western Distribution Center

168 Brea Canyon Road • City of Industry, CA 91789
Phone (800) 526.2588 • Fax (800) 526.2585

LARC – model: HID301

120V Track – R111 Metal Halide Luminaire

LAMP PERFORMANCE – 39W CDM R111

▲ 0° Aiming Angle
(ceiling to floor)

◀ 45° Aiming Angle
(ceiling to wall)

Beam: 8°

Distance	FC	L	W
6 ft	973	1.0	1.0
9 ft	432	1.6	1.6
12 ft	243	2.1	2.1
15 ft	156	2.6	2.6

FC	L	W
344	2.1	1.5
153	3.2	2.2
86	4.2	3.0
55	5.3	3.7

Beam: 24°

Distance	FC	L	W
6 ft	237	2.6	2.6
9 ft	105	3.8	3.8
12 ft	59	5.1	5.1
15 ft	38	6.4	6.4

FC	L	W
84	5.3	3.6
37	8.0	5.4
21	10.7	7.2
13	13.4	9.0

Beam: 40°

Distance	FC	L	W
6 ft	111	4.4	4.4
9 ft	49	6.6	6.6
12 ft	28	8.7	8.7
15 ft	18	10.9	10.9

FC	L	W
39	10.1	6.2
17	15.1	9.3
10	20.1	12.4
6	25.2	15.4

LAMP PERFORMANCE – 70W CDM R111

▲ 0° Aiming Angle
(ceiling to floor)

◀ 45° Aiming Angle
(ceiling to wall)

Beam: 8°

Distance	FC	L	W
6 ft	1389	1.0	1.0
9 ft	617	1.6	1.6
12 ft	347	2.1	2.1
15 ft	222	2.6	2.6

FC	L	W
491	2.1	1.5
218	3.2	2.2
123	4.2	3.0
79	5.3	3.7

Beam: 24°

Distance	FC	L	W
6 ft	417	2.6	2.6
9 ft	185	3.8	3.8
12 ft	104	5.1	5.1
15 ft	67	6.4	6.4

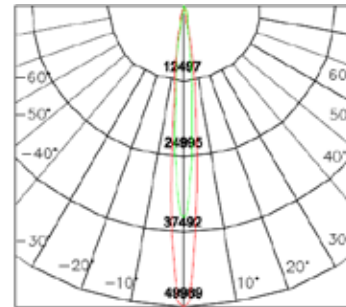
FC	L	W
147	5.3	3.6
65	8.0	5.4
37	10.7	7.2
24	13.4	9.0

Beam: 40°

Distance	FC	L	W
6 ft	249	4.4	4.4
9 ft	111	6.6	6.6
12 ft	62	8.7	8.7
15 ft	40	10.9	10.9

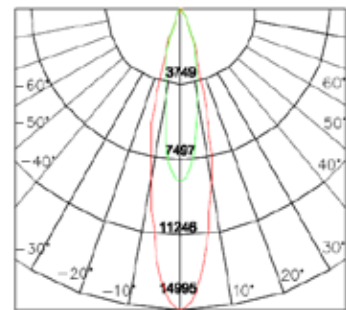
FC	L	W
88	10.1	6.2
39	15.1	9.3
22	20.1	12.4
14	25.2	15.4

8° Beam Spread



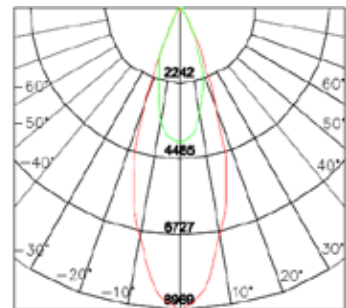
— 39W CBCP: 35,015
— 70W CBCP: 49,989

24° Beam Spread



— 39W CBCP: 8534
— 70W CBCP: 14,995

40° Beam Spread



— 39W CBCP: 3997
— 70W CBCP: 8969

CBCP– Center beam candlepower

FC– Initial footcandle level at the center of the beam

L– Beam length at the point the candlepower drops off to 50% of maximum*

W– Beam width at the point the candlepower drops off to 50% of maximum*

*Measured in feet

WAC Lighting

www.waclighting.com

Phone (800) 526.2588 • Fax (800) 526.2585

Headquarters/Eastern Distribution Center

44 Harbor Park Drive • Port Washington, NY 11050

Phone (516) 515.5000 • Fax (516) 515.5050

Western Distribution Center

168 Brea Canyon Road • City of Industry, CA 91789

Phone (800) 526.2588 • Fax (800) 526.2585