

**Installation Instructions: Metal Halide Track Fixture – LARC Series**  
**Models: JTK-HID303S-20E JTK-HID303N-20E & JTK-HID303F-20E**  
**JTK-HID303S-39E JTK-HID303N-39E & JTK-HID303F-39E**  
**JTK-HID303S-70E JTK-HID303N-70E & JTK-HID303F-70E**

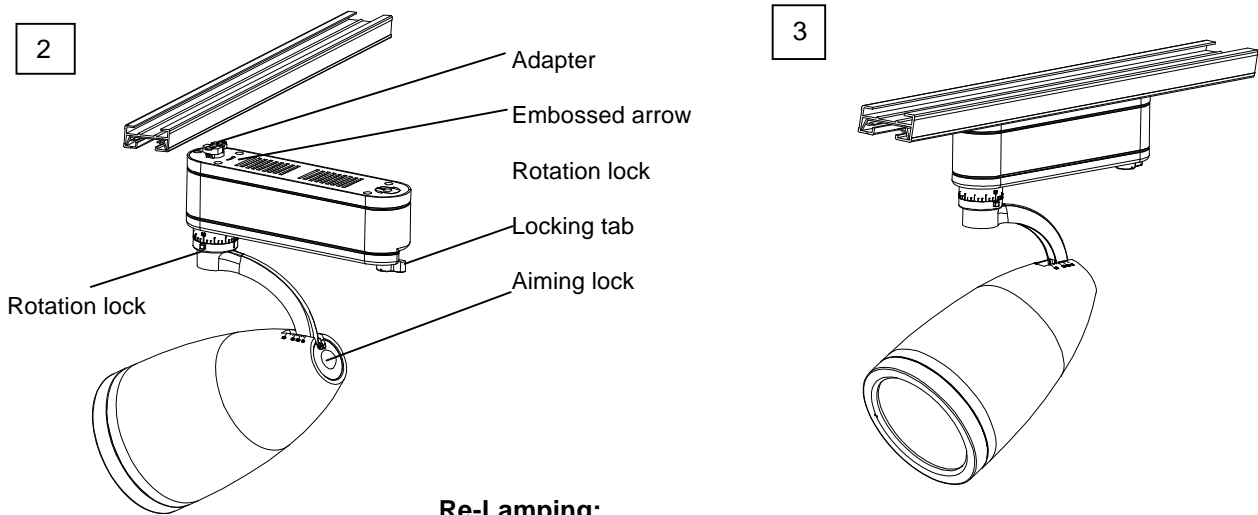
**CAUTION:**

For Use with WAC J” & “J2” track systems. Fixture may also be used on other manufacturers brand of track (consult factory for compatibility).

CAUTION – To reduce the risk of a burn during relamping, remove from the track before relamping. Read all instructions before installing.

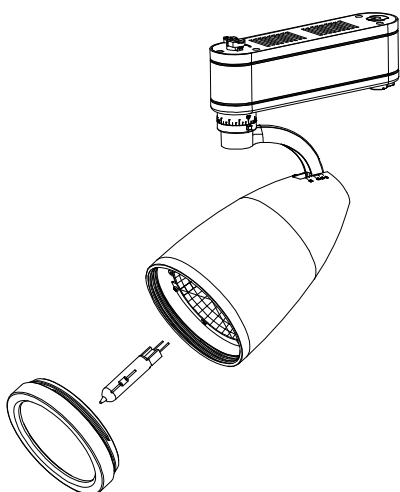
**Installing on Track:**

1. Note the track has a groove running its length to indicate polarity.
2. Insert adapter into track slot and rotate it 90° the embossed arrow on the adapter should point to the grooved side of the track.
3. Push up and turn the locking tab into the lock position.
4. Removal is the reverse procedure. Tracks may be positioned anywhere along the track length.
5. Vertical and horizontal aiming have push lock buttons to secure settings.



**Re-Lamping:**

1. Use appropriate protection when handling hot lamps.
2. Turn power off at main switch.
3. Turn lens cap counterclockwise to remove.
4. Grasp lamp with a clean cloth and pull straight out to remove.
5. For JTK-HID303S-20E and JTK-HID303N-20E and JTK-HID303F-20E  
Use T4 metal halide G8.5 base lamps 20W only.  
For JTK-HID303S-39E and JTK-HID303N-39E and JTK-HID303F-39E  
Use T4 metal halide G8.5 base lamps 39W only.  
For JTK-HID303S-70E, and JTK-HID303N-70E and JTK-HID303F-70E  
Use T4 metal halide G8.5 base lamps 70W only.
6. Installation is the reverse procedure.



**Note:** Metal halide lamps require several minutes of operation to reach full brightness. If power is interrupted lamps will take several minutes to re-strike. This is a normal characteristic of metal halide lamps.