

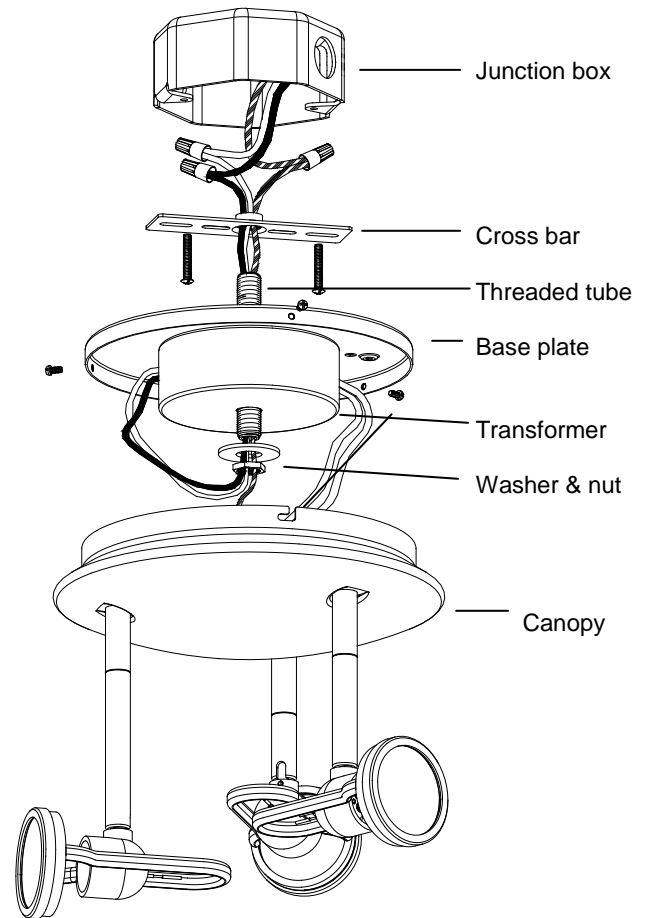
**Instructions: Low Voltage Surface Mount Fixture**  
**Model: PAN-826**

**CAUTION:**

Always turn off power at main switch prior to installation to prevent electrical shock.  
 Read all instructions before installing.  
 For installation by a qualified electrician.  
 System is intended for installation in accordance with National Electric Code, and local regulations.  
 Consult with local inspector to assure compliance.  
 Install over a standard 4-inch junction box.  
 All wires must be contained in the junction box.

**Installing fixture:**

1. Loosen the three-canopy screws, then twist and separate the canopy cover from the base plate.
2. Attach cross bar to the junction box using slotted holes.
3. Install threaded tube to the center hole of the cross bar. Secure the bottom of the tube with a washer and nut.
4. Guide the white and black wires from the transformer through the threaded tube, cross bar, and to the Junction box as shown.
5. Connect with like colored line volt wires from the junction box to transformer wires, with wire nuts (supplied).
6. Connect green grounding wire from junction box (may be bare copper wire) to green wire from fixture.
7. Check that white wires from the transformer are secured to white wires from the canopy.
8. Mount the canopy to the base plate by twisting key holes over three screws in base plate.
9. Tighten screws to secure canopy.



**Installing lamp & shade:**

1. Use a 12 volt MR16 bi-pin lamp, 50Watt maximum.
2. Remove the lens ring by turning counter clockwise, and remove the lens.
3. Insert lamp pins with the holes in the socket and push fully in.
4. Place the lens into the lens ring and screw on to the fixture.

