

## INSTRUCTIONS: 5" IC New Construction Housings

Models: R5VI-ICA, R5VI-S-ICA,

### Important:

Read all instructions before installing.

For installation by a qualified electrician.

System is intended for installation in accordance with National Electric Code, and local regulations. Consult with local inspector to assure compliance.

To reduce the risk of fire, electrical shock and injuries to persons, turn off power at main switch before installing or modifying the system.

Retain instructions for future maintenance reference.

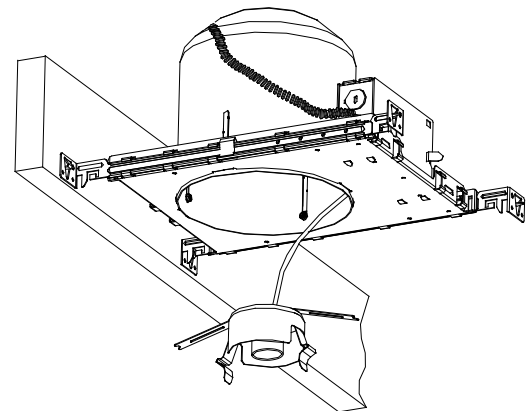
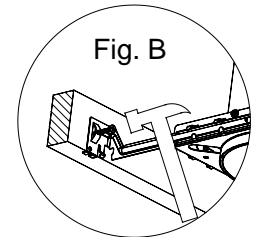
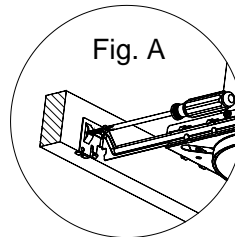
### Overview:

Housings from this series are rated for direct contact with insulation, new construction type. Housing requires a trim from the R5V series, and lamp to be complete (ordered separately).

### Mounting:

Supplied with two hanger bars, (24" max). Bars can be used on all four sides and are notched on the ends to fit over "T" bars in suspended ceilings. Hanger bars include a captive mounting "screw-nail" for ease of installation.

1. Align the bottom of the hanger bar with the bottom of the wood joist.
2. Secure the "screw-nail" on each end by screwdriver (as fig A), or by hammer (as fig B).
3. Junction box is suitable for branch wiring and has trade size knockouts and integral non-metallic sheathed cable connectors.
4. Pry open the knock out and push the wire through the clamp plate inside.
5. Wire connections must be installed in a manner that does no interfere with the strain relief action of the clamp.



### Wiring:

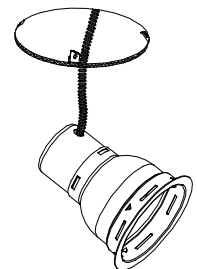
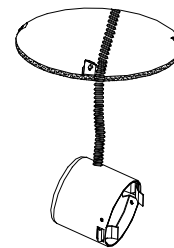
1. Remove spring latched junction box door and connect fixture wires to building wires in the following sequence: White fixture wire to white neutral wire, black fixture wire to (hot) black wire and green ground wire to bare ground wire.
2. Use push-in type wire connectors supplied, or wire nuts.
3. Replace junction box door.

### Finishing:

1. Cut out a 5 1/4" hole in the drywall.
2. Pull socket cup through hole and attach to top of trim reflector.
3. Push the entire assembly up into the housing. The wing springs on the socket cup will center the socket as it is inserted to the finished position.

### Air Tight installation:

1. Housing is supplied "air tight ready". The addition of a gasket kit (RGK) with metallic tape is needed to seal remaining slots or openings.
2. Complies with State of Washington Energy Code requirements for air tight housings, when installed with gasket kit.



Attach reflector to socket cup and push assembly up to the ceiling.