

**INSTRUCTIONS: 5" Series Shower Trims**  
**Model: R5VT-28**

**Important:**

**Read all instructions before installing.**

**System is intended for installation in accordance with National Electric Code, and local regulations. Consult with local inspector to assure compliance.**

**To reduce the risk, electrical shock, turn off power at main switch before installing or modifying the system. Retain instructions for future maintenance reference.**

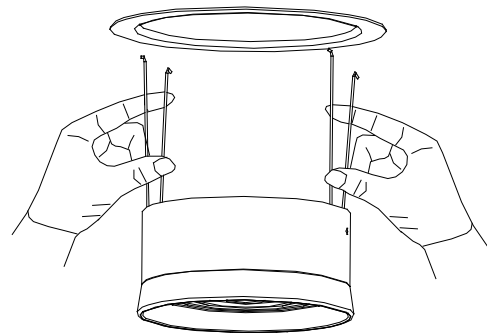
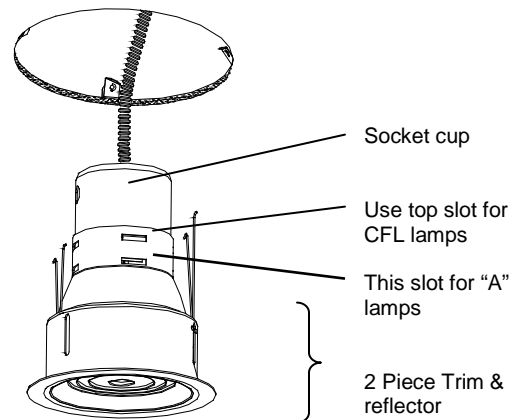
**Installing Shower Trims in:**

**Frame in Kit & New Construction Housings:**

1. Snap the socket cup on to the trim reflector as shown.
2. CFL lamps will require the socket springs be mounted to the uppermost slotted hole (see Diagram on right).
3. Push the trim straight up until it is tight against the ceiling.

**Regressed lens trim:**

1. Trims are installed as described above, with the following additions:
2. The lens resides in the recess of a trim ring.
3. The trim ring is equipped with torsion springs.
4. Compress the torsion springs and position the ends into the two slots in the trim reflector (see diagram).
5. Push the trim ring until it seats with the reflector.
6. To remove pull on the trim ring edge and then compress the torsion springs while pulling downward.



Regressed lens shower trim