
Instructions: Metal Halide Track Fixture – PALOMA Series
Models: WTK-502/ WTK-505 / WTK-506 / WTK-501 / WTK-517 /
WTK-530 / WTK-538Series

CAUTION:

For use with WAC precision track systems(120V). Fixture may also be used on other manufacturers brand of track (consult factory for compatibility).

CAUTION – To reduce the risk of a burn during relamping, remove from the track before relamping. Read all instructions before installing.

Installing on Track:

1. Turn the lock switch to the unlock position. Turn the circuit selecting handle to the 0 (power off) position. (see figure 1)
2. Make sure the convexity on the adaptor box is at the same side with the slot on the track. (shown in figure 2) Fit the adaptor box into the track.
3. Turn the lock switch to the lock position. (figure 3) Turn the circuit selecting handle to 1 or 2 to switch the power on.
4. After the light is on, rotate the luminaire body horizontally or vertically to aim properly. (figure 4)
5. If necessary, adjust the light spot direction by turning the small hole on the trim around the lens. Screw in the hole on the arm to lock the aiming direction. (figure 5)

Figure 1

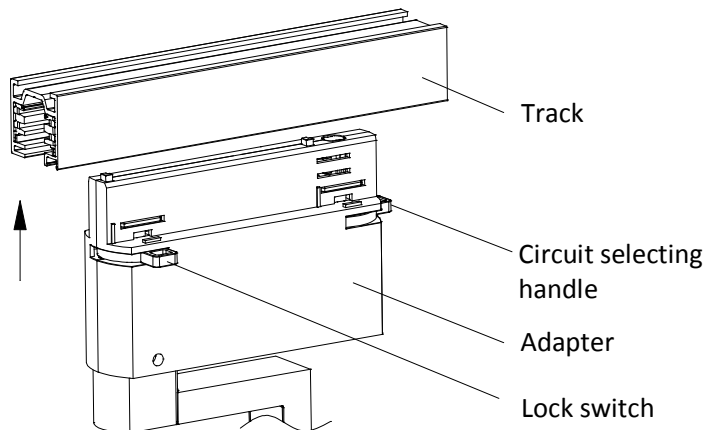


Figure 2

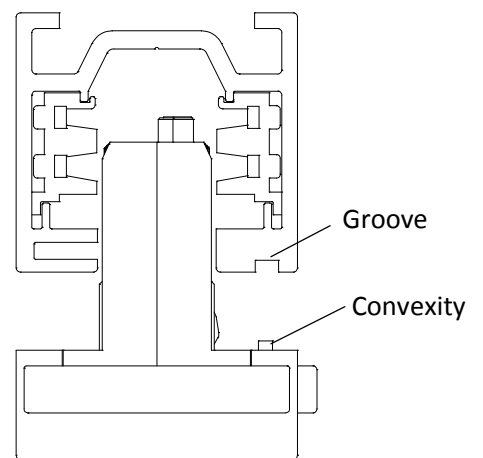


Figure 3

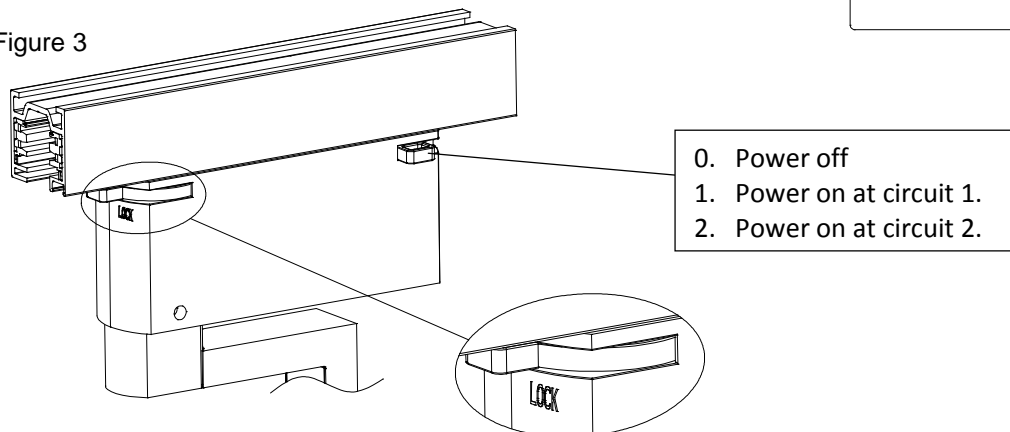


Figure 4

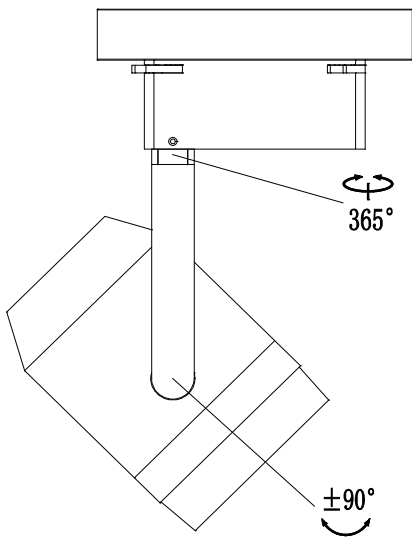


Figure 5

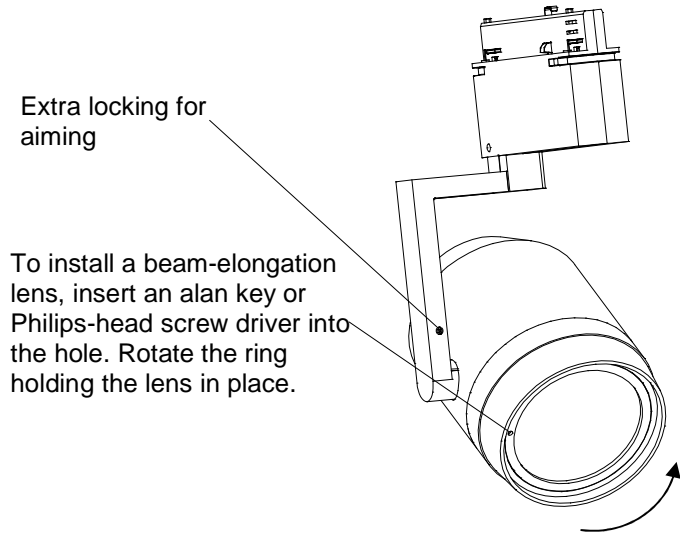
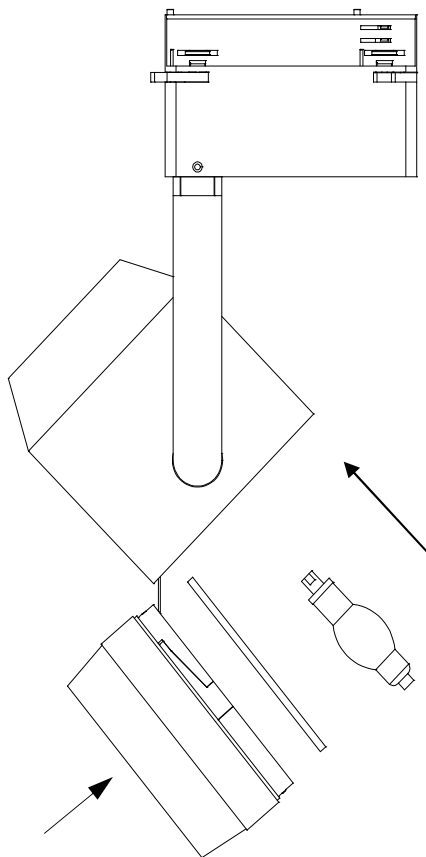


Figure 6

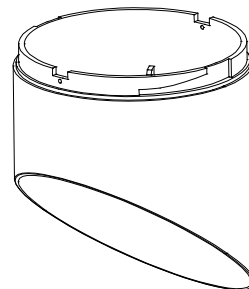
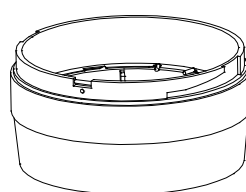


Press the glass here softly to remove as arrow

Re-Lamping:

1. Use appropriate protection when handling hot lamps.
2. Turn power off at main switch.
3. Turn lens cap counterclockwise to remove.
4. Wait until the lamp cools down. Pull lamp straight out to remove. Do not touch the lamp with bare hands.
5. Use lamp referring to the specification sheets:
6. Installation is the reverse procedure.

Figure 7



Cap used for model:
 WTK-502-FL/NF/SP
 WTK-505-FL/NF/SP
 WTK-506-FL/NF/SP
 WTK-501-BK/WT/PT
 WTK-517-FL/NF/SP
 WTK-530-FL/NF/SP
 WTK-538-FL/NF/SP

Cap used for model:
 WTK-502-WW-FL/NF/SP
 WTK-505-WW-FL/NF/SP
 WTK-506-WW-FL/NF/SP
 WTK-501-WW-BK/WT/PT
 WTK-517-WW-FL/NF/SP
 WTK-530-WW-FL/NF/SP
 WTK-538-WW-FL/NF/SP

WAC LIGHTING
 Responsible Lighting®

Retain these instructions for future service and adjustments
 44 Harbor Park Drive, Port Washington, NY 11050
 Tel: (800) 526-2588 Fax (800) 526-5050
www.waclighting.com

Instructions: Metal Halide Track Fixture – PALOMA Series
Models: WHK-502/WHK-505 / WHK-506 / WHK-501 / WHK-517 / WHK-530/WHK-538Series

CAUTION:

For use with WAC precision track systems(277V). Fixture may also be used on other manufacturers brand of track (consult factory for compatibility).
CAUTION – To reduce the risk of a burn during relamping, remove from the track before relamping.
Read all instructions before installing.

Installing on Track:

1. Turn the lock switch to the unlock position. Turn the circuit selecting handle to the 0 (power off) position. (see figure 1)
2. Make sure the convexity on the adaptor box is at the same side with the slot on the track. (shown in figure 2) Fit the adaptor box into the track.
3. Turn the lock switch to the lock position. (figure 3) Turn the circuit selecting handle to 1 or 2 to switch the power on.
4. After the light is on, rotate the luminaire body horizontally or vertically to aim properly. (figure 4)
5. If necessary, adjust the light spot direction by turning the small hole on the trim around the lens. Screw in the hole on the arm to lock the aiming direction. (figure 5)

Figure 1

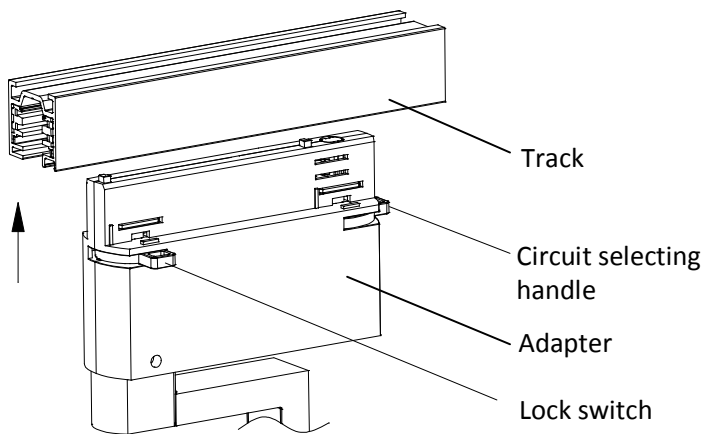


Figure 2

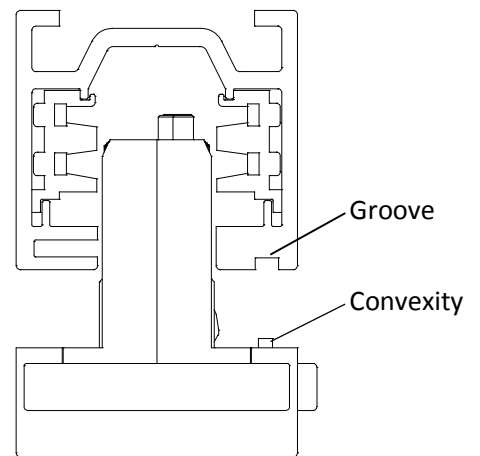


Figure 3

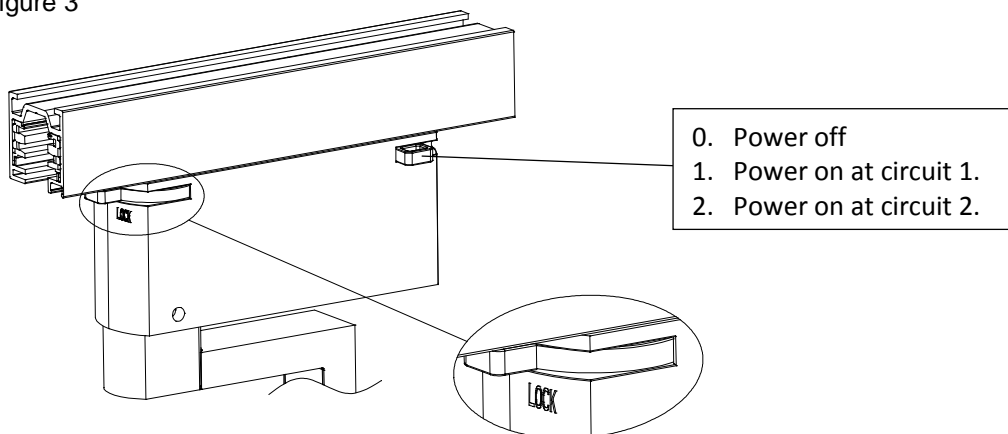


Figure 4

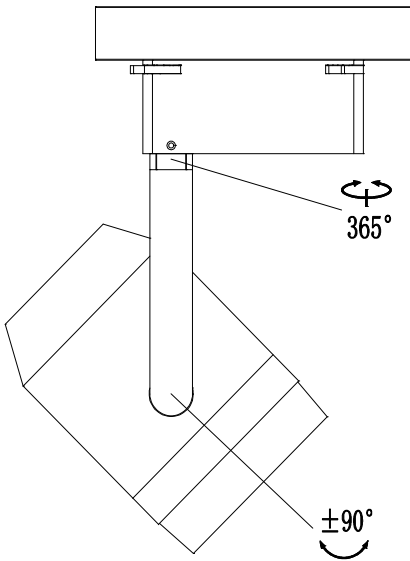


Figure 5

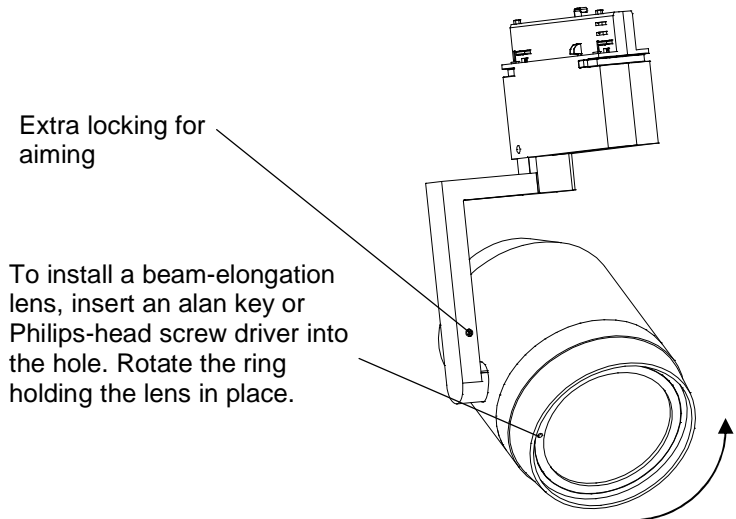
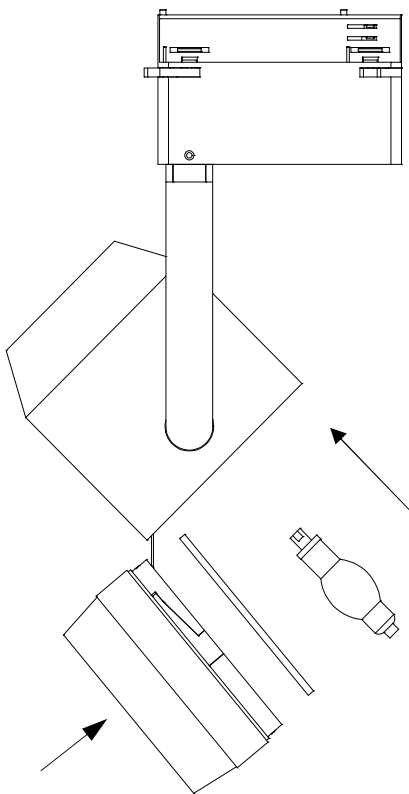


Figure 6

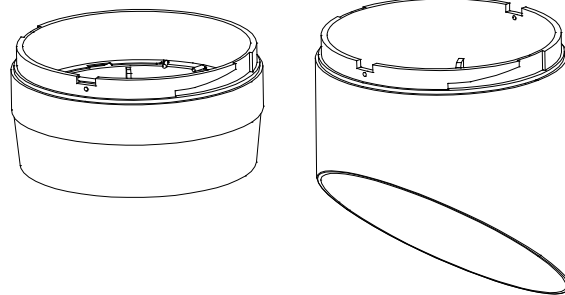


Press the glass here softly to remove as arrow

Re-Lamping:

1. Use appropriate protection when handling hot lamps.
2. Turn power off at main switch.
3. Turn lens cap counterclockwise to remove.
4. Wait until the lamp cools down. Pull lamp straight out to remove. Do not touch the lamp with bare hands.
5. Use lamp referring to the specification sheets:
6. Installation is the reverse procedure.

Figure 7



Cap used for model:
 WHK-502-FL/NF/SP
 WHK-505-FL/NF/SP
 WHK-506-FL/NF/SP
 WHK-501-BK/WT/PT
 WHK-517-FL/NF/SP
 WHK-530-FL/NF/SP
 WHK-538-FL/NF/SP

Cap used for model:
 WHK-502-WW-FL/NF/SP
 WHK-505-WW-FL/NF/SP
 WHK-506-WW-FL/NF/SP
 WHK-501-WW-BK/WT/PT
 WHK-517-WW-FL/NF/SP
 WHK-530-WW-FL/NF/SP
 WHK-538-WW-FL/NF/SP