

INSTRUCTIONS: Low Voltage Precision Spot Fixture

Model: HHT-935L

Caution:

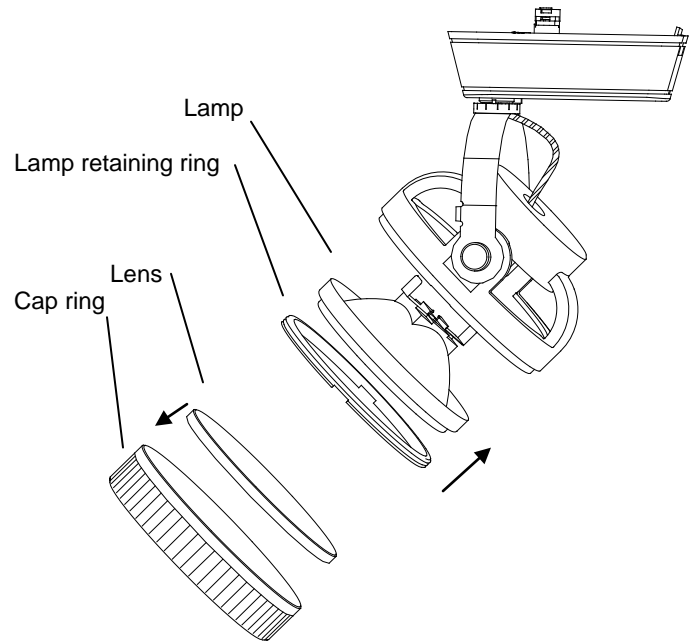
Read all instructions before installing. Switch off power before installing or re-lamping.

Overview:

Fixtures are designed for use on "H" series WAC. Lighting track. They may also be used on other manufacturer's brand of track (consult factory for compatibility).

Lamping:

1. Use 12v AR111 lamp, 75-watt max, or Par 36 50W max.
2. Remove the cap ring by twisting counter-clockwise (note: the cap ring contains a clear glass lens).
3. Unscrew the lamp-retaining ring from the body of the fixture.
4. Install lamp by connecting wire terminals to the screws on the back of the lamp.
5. Re-install the lamp-retaining ring.
6. Re-install the cap ring.



Accessories:

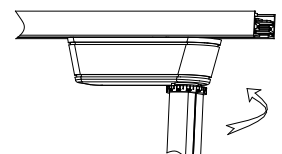
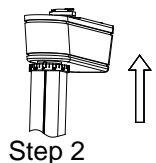
The HHT-935L accepts up to two accessories. The clear glass lens supplied in the cap ring may be removed and replaced with an accessory lens and/or louver.

Accessory combinations could be the clear lens with honeycomb louver, colored lens with cross baffle louver, etc.

1. Remove the cap ring and insert accessories.
2. Re-install cap ring, the lenses will be held by springs in the sidewall.

Installing on Track:

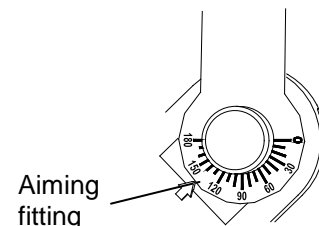
1. Note the track head contacts, and the polarity groove running the length of the track.
2. The two contacts should be positioned so that when rotated, they will face the grooved side of the track (this is the side with two flat copper wires running its length).
3. Insert adapter into track slot. Pull downward on the adapter while rotating the adapter 90°.
4. Release the adapter so the locking tab seats in the track slot.
5. Removal is the reverse procedure. Tracks heads may be positioned anywhere along the track length.
6. Not suitable for use on wall mounted track.



Aiming:

1. Adjust head rotation using the aiming scale below transformer.
2. Adjust vertical aiming position by tilting head to desired angle.
3. Lock fixture head into position by tightening the two aiming fittings with a small Allen wrench or screwdriver.

Retain instructions for future reference.



INSTRUCTIONS: Low Voltage Precision Spot Fixture

Model: JHT-935L

Caution:

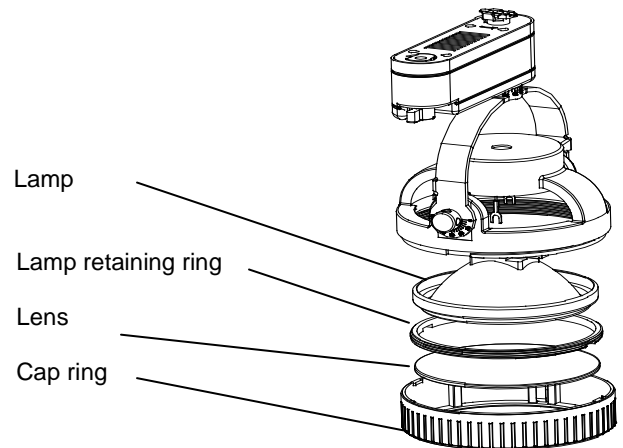
Read all instructions before installing. Switch off power before installing or re-lamping.

Overview:

Fixtures are designed for use on "J" series WAC Lighting track. They may also be used on other manufacturer's brand of track (consult factory for compatibility).

Lamping:

1. Use 12v AR111 lamp, 75-watt max, or Par 36 50W max.
2. Remove the cap ring by twisting counter-clockwise (note: the cap ring contains a clear glass lens).
3. Unscrew the lamp-retaining ring from the body of the fixture.
4. Install lamp by connecting wire terminals to the screws on the back of the lamp.
5. Re-install the lamp-retaining ring.
6. Re-install the cap ring.



Accessories:

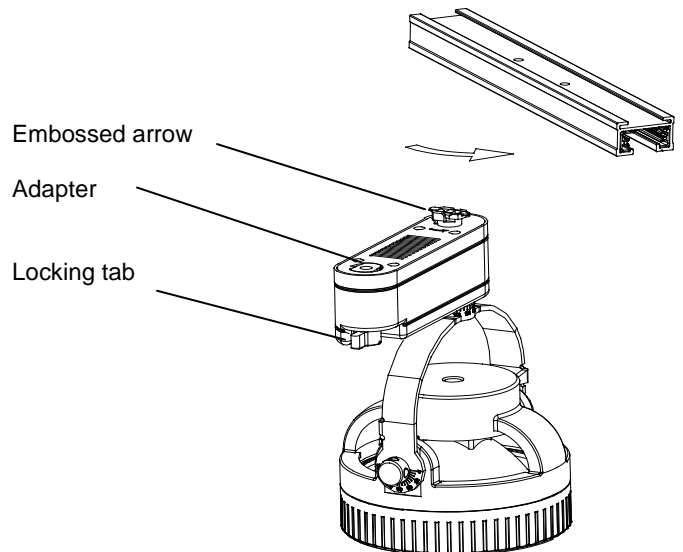
The JHT-935L accepts up to two accessories. The clear glass lens supplied in the cap ring may be removed and replaced with an accessory lens and/or louver.

Accessory combinations could be the clear lens with honeycomb louver, colored lens with cross baffle louver, etc.

1. Remove the cap ring and insert accessories.
2. Re-install cap ring, the lenses will be held by springs in the sidewall.

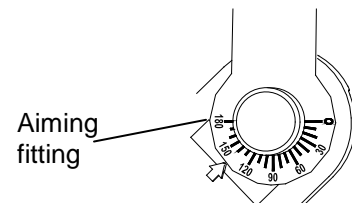
Installing on Track:

1. Note the track has a groove running its length to indicate polarity.
2. Insert adapter into track slot and rotate it 90° the embossed arrow on the adapter should point to the grooved side of the track.
3. Push up and turn the locking tab into the lock position.
4. Removal is the reverse procedure. Track heads may be positioned anywhere along the track length.
5. Vertical and horizontal aiming have push lock buttons to secure settings.



Aiming:

1. Adjust head rotation using the aiming scale below transformer.
 2. Adjust vertical aiming position by tilting head to desired angle.
 3. Lock fixture head into position by tightening the two aiming fittings with a small Allen wrench or screwdriver.
- Retain instructions for future reference.



INSTRUCTIONS: Low Voltage Precision Spot Fixture

Model: LHT-935L

Caution:

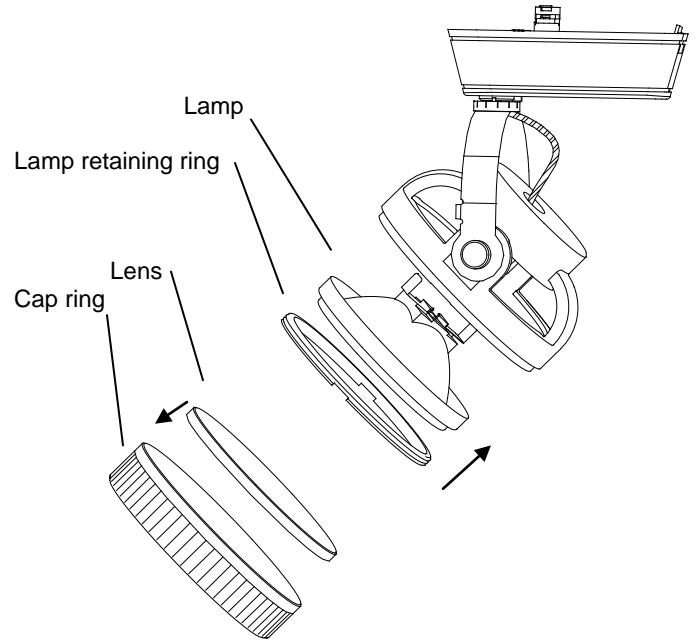
Read all instructions before installing. Switch off power before installing or re-lamping.

Overview:

Fixtures are designed for use on "L" series WAC. Lighting track. They may also be used on other manufacturer's brand of track (consult factory for compatibility).

Lamping:

1. Use 12v AR111 lamp, 75-watt max, or Par 36 50W max.
2. Remove the cap ring by twisting counter-clockwise (note: the cap ring contains a clear glass lens).
3. Unscrew the lamp-retaining ring from the body of the fixture.
4. Install lamp by connecting wire terminals to the screws on the back of the lamp.
5. Re-install the lamp-retaining ring.
6. Re-install the cap ring.



Accessories:

The LHT-935L accepts up to two accessories. The clear glass lens supplied in the cap ring may be removed and replaced with an accessory lens and/or louver.

Accessory combinations could be the clear lens with honeycomb louver, colored lens with cross baffle louver, etc.

1. Remove the cap ring and insert accessories.
2. Re-install cap ring, the lenses will be held by springs in the sidewall.

Installing Fixtures:

1. Note the track has a ridge running its length to indicate polarity.
2. Note the slant of the locking tab.
3. Insert adapter into track channel and rotate it 90° so that the low side of the locking tab faces the ridged side of the track.
4. Make sure the locking tab seats in the track channel.
5. Removal is the reverse procedure. Track heads may be positioned anywhere along the length of track.

Note: "L" series track accepts only WAC. track heads.

Aiming:

1. Adjust head rotation using the aiming scale below transformer.
2. Adjust vertical aiming position by tilting head to desired angle.
3. Lock fixture head into position by tightening the two aiming fittings with a small Allen wrench or screwdriver.

Retain instructions for future reference.

