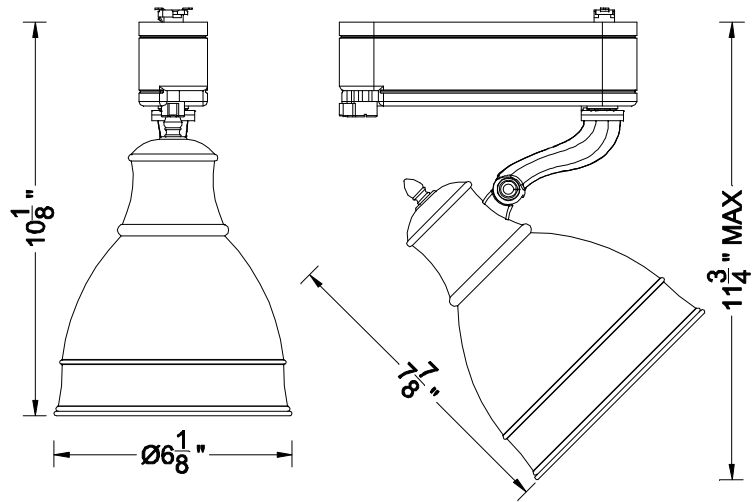


CATALOG NUMBER	TYPE

LINE VOLTAGE TRACK HEAD

SERIES 132E



Ordering Matrix			
Model		Series	Finish
<input type="text"/>		<input type="text"/>	<input type="text"/>
HTK	JTK	LTK	132E
			AB

Ordering Example (model – series – finish): HTK-132E-AB

Product Details

Description:	Line voltage track head using CFL lamps. Designed for use with WAC H, L, J & J2 series track. In addition it may fit other manufacturer's original track (consult factory for specific brands).
Materials:	Die-cast aluminum alloy lamp holder housing, corrosion resistant spun metal shade and polycarbonate track adaptor. Aluminum reflector secured to the inner shade. Die cast retaining ring holds a center frosted lens.
Ballast:	Robertson electronic ballast, class P, energy star qualified.
Socket:	GX24q-3 base 600V polymeric lampholder with CFL tri-tube 4 pin 32W lamps (energy star qualified).
Aiming:	360° horizontal rotation and 90° vertical aiming.
Lamping:	Pull out the retaining ring from front to re-lamp the lamp. Uses GX24q-3 base CFL tri-tube 4 pin lamp (included, energy star qualified lamp), 32W max. 120 volt.
Finish:	Electroplated Antique Bronze (AB).
Listing:	UL & CUL Listed.

Specification Features

- Arm mounted track head providing maximum installation convenience with its ability to work on four different track systems.
- Antique Bronze finish coordinates with today's faucets, fixtures, cabinet hardware and furniture.
- Machined solid brass decorative hardware adds aesthetically appealing detail to the fixture.
- Decorative traditional design complements historical architectural styles while meeting the design needs of today.
- The 132E series track head utilizes the second circuit on the J2 style track with the use of the JClip (ordered separately).
- Track adapter are Dark Bronze to match WAC bronze 120V Track.
- Energy-saving product, energy star qualified.
- 5 year WAC Lighting product warranty.