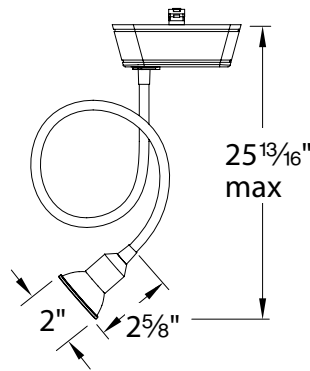


Model: 204

120V Track MR16 Luminaire

WAC LIGHTING

Responsible Lighting®



Fixture Type:

Catalog Number:

Project: _____

Location: _____

PRODUCT DESCRIPTION

Low Voltage luminaire with die-cast aluminum construction and flexible cable arm for easy aiming.

FEATURES

- Available with LED lamp option
- Easily re-lamped from the front without the use of tools
- Flexible cable arm for easy aiming
- Bulb shield accessories available (order separately)
- Dimmable
- 5 year WAC Lighting product warranty

SPECIFICATIONS

Construction: Die-cast aluminum track head with polycarbonate transformer case and track adapter. Bi-pin ceramic socket for MR16 lamp.

Finish: Powder coated Black (BK), White (WT), and Electroplated Brushed Nickel (BN).

Transformer: LED Version - 1W minimum load.
Halogen Version - 20W minimum load (1W minimum load available). Consult factory for more details).

Lamp: 204 model uses 12V MR16, 50W max lamp (not included).
204L model uses 12V MR16, 75W max (not included).
204LED model uses a 12V, 8W MR16 LED lamp (included).
450 lumens, 3000K CCT, 25,000 hour rated life, CRI: 85.

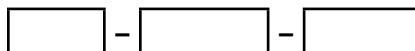
Dimming: With electronic low voltage (ELV) dimmer, LED lamp dims to 10%; Halogen lamp dims to 1%.

Standards: UL & CUL Listed.

ORDER NUMBER

System	Model #	Power	Lamp	Finish
LHT L Track	204LED	8W	LED	BK Black
HHT H Track	204	50W	Halogen	BN Brushed Nickel
JHT J/J2 Track	204L	75W	Halogen	WT White

FINISHES



Example: LHT-204LED-WT

ACCESSORIES

Color Lens	AMB	Amber	UV Filter	LENS-16-UVF
	BLU	Blue	Frosted Lens	LENS-16-FR
	GRN	Green	Spread Lens	LENS-16-SPR
	RED	Red	Beam Elongating Lens	LENS-16-BEL
	YEL	Yellow	Honeycomb Louver	LENS-16-HCL
Mesh Shield	MBS-16	BK Black		
Solid Shield	SBS-16	BN Brushed Nickel		
		WT White		

WAC Lighting

www.waclighting.com

Phone (800) 526.2588 • Fax (800) 526.2585

Headquarters/Eastern Distribution Center

44 Harbor Park Drive • Port Washington, NY 11050

Phone (516) 515.5000 • Fax (516) 515.5050

Western Distribution Center

1750 Archibald Avenue • Ontario, CA 91760

Phone (800) 526.2588 • Fax (800) 526.2585