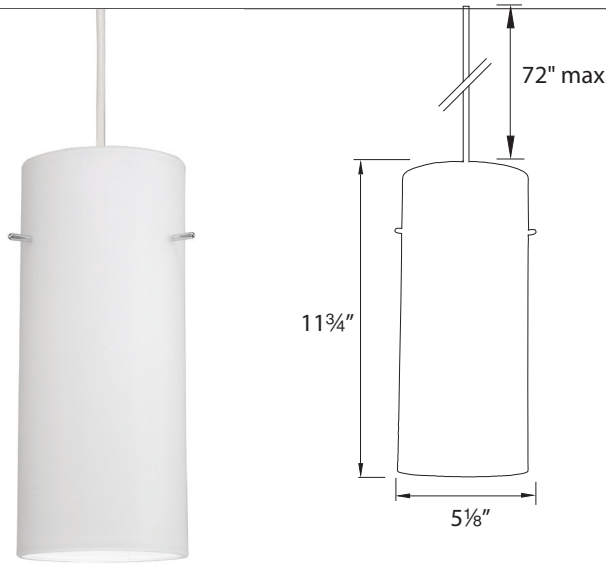


**DAX** – model: G454  
Cosmopolitan Collection

**WAC LIGHTING**  
Responsible Lighting®



Fixture Type:

Catalog Number:

Project: \_\_\_\_\_

Location: \_\_\_\_\_

**PRODUCT DESCRIPTION**

Stimulate the aesthetic sense of your room with simple and understated cased white glass cylinders finished in white and amber acid etched colors.

**FEATURES**

- Line voltage or LED pendant
- Can be used with energy efficient LED, compact fluorescent or standard incandescent lamps.
- Mounting hardware available in three different styles and multiple finishes.
- Dimmable
- Socket set includes 96" wire that may be cut in the field.
- 5 year WAC Lighting product warranty.
- UL & CUL Listed.

**CONSTRUCTION**

- **Shade:** Art Glass
- **Socket Sets:** Die-cast aluminum with plated socket housing
- **Canopies:** Plated steel
- **Adapters for rail and track systems:** Polycarbonate

**ORDER NUMBER**

System Model	Type	Model #	Lamping	Shade Color	Socket Set Finish
<b>PLD-F4</b>	Canopy	<b>454LED 454</b>	LED med. base 100W max A19/G30	<b>WT</b> White	<b>BK</b> Black
					<b>BN</b> Brushed Nickel
<b>HTK-F4</b>	H Track				<b>WT</b> White
<b>LTK-F4</b>	L Track				<b>BK</b> Black
<b>JTK-F4</b>	J Track				<b>BN</b> Brushed Nickel
					<b>WT</b> White

-  -   /

Example: **PLD-F4-454WT/BK**

**SHADE COLORS**

**WT-White**



**SOCKET SET FINISHES**

**BK-Black**



**BN-Brushed Nickel**



**WT-White**



wacighting.com  
Phone (800) 526.2588  
Fax (800) 526.2585

Headquarters/Eastern Distribution Center  
44 Harbor Park Drive  
Port Washington, NY 11050

Central Distribution Center  
1600 Distribution Ct  
Lithia Springs, GA 30122

Western Distribution Center  
1750 Archibald Avenue  
Ontario, CA 91760