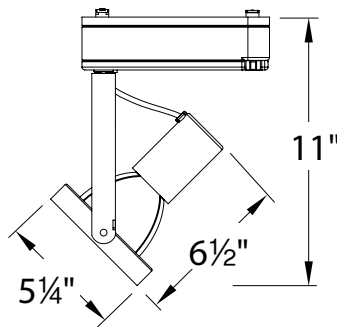


Model: 765-70E

120V Track HID Luminaire

WAC LIGHTING

Responsible Lighting®



Fixture Type:

Catalog Number:

Project: _____

Location: _____

PRODUCT DESCRIPTION

Designed to work with our 120V Track Systems where high foot candle levels and crisp white light are required, this energy efficient metal halide luminaire delivers robust lighting with a strong output for high-traffic retail and commercial spaces.

FEATURES

- Metal construction
- 350° horizontal rotation and 90° vertical tilt
- Easily re-lamped from the front without the use of tools
- Open-back design for an industrial look
- 5 year WAC product warranty

SPECIFICATIONS

Construction: Formed metal with polycarbonate track adapter and aiming screws in black or white to match track finish. Medium base 250V porcelain socket with nickel-plated copper screw shell.

Finish: Powder coat paint. Available in Black (BK) and White (WT).

Lamp: Order lamps separately. Uses 120V CDM PAR38 70W.

Standards: UL & CUL Listed.

ORDER NUMBER

System	Model	Power	Finish
LTK L Track	765	70E 70W	BK Black
HTK H Track			WT White
JTK J/J2 Track			

- **765-70E** -

Example: **HTK-765-70E-BK**

FINISHES



WAC Lighting
www.waclighting.com
Phone (800) 526.2588 • Fax (800) 526.2585

Headquarters/Eastern Distribution Center
44 Harbor Park Drive • Port Washington, NY 11050
Phone (516) 515.5000 • Fax (516) 515.5050

Western Distribution Center
1750 Archibald Avenue • Ontario, CA 91760
Phone (800) 526.2588 • Fax (800) 526.2585