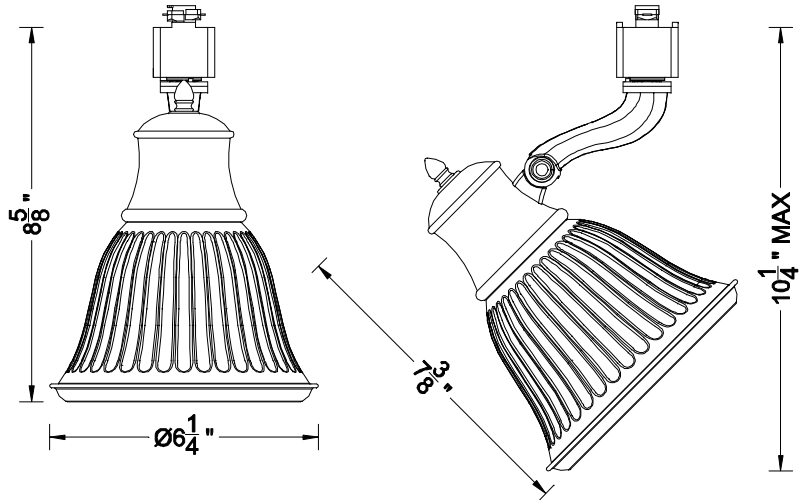


CATALOG NUMBER	TYPE
PROJECT	

LINE VOLTAGE TRACK HEAD

SERIES 795



Ordering Matrix

Model			Series	Finish
<input type="text"/>			<input type="text"/>	<input type="text"/>
HTK	JTK	LTK	795	AB

Ordering Example (model – series – finish): HTK-795-AB

Product Details

Description:	Line voltage track head using PAR38 lamps. Designed for use with WAC H, L, J & J2 series track. In addition it may fit other manufacturer's track (consult factory for specific brands).
Materials:	Die-cast aluminum alloy lamp holder housing, corrosion resistant metal shade and polycarbonate track adaptor. Medium base 250V ceramic socket with nickel-plated copper screw shell.
Aiming:	360° horizontal rotation and 90° vertical aiming.
Lamping:	Uses medium base PAR38 lamps, 150W max. 120 volt.
Systems:	HTK is used with the WAC H system track (HT). JTK is used with the WAC J system and J2 system track (JT & J2-T). LTK is used with the WAC L system track (LT).
Finish:	Electroplated Antique Bronze (AB).
Listing:	UL & CUL Listed. 5 year WAC Lighting product warranty.

Specification Features

- Arm mounted track head providing maximum installation convenience with its ability to work on four different track systems.
- The 795 series track head utilizes the second circuit on the J2 style track with the use of the JClip (ordered separately).
- Hand finished Antique Bronze coordinates with today's faucets, fixtures, cabinet hardware and furniture.
- Machined solid brass decorative hardware adds aesthetically appealing detail to the fixture.
- Decorative traditional design complements historical architectural styles while meeting the design needs of today.
- Track adapter are Dark Bronze to match WAC bronze 120V Track.