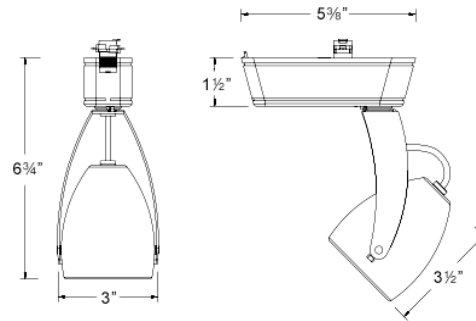


CATALOG NUMBER	TYPE
PROJECT	

LOW VOLTAGE TRACK LUMINAIRE

IMPULSE 896



Ordering Matrix

Model	Series	Finish
<input type="text"/>	<input type="text"/>	<input type="text"/>
JHT LHT HHT	896 896L	BK = Black WT = White

Ordering Example (model – finish): JHT-896L -WT

Product Details

Description: Euro-style track head using one MR16 lamp. Designed for use on WAC's tracks and adaptable to other manufacturers' tracks. (Consult factory for specific brands).

Materials: Die-cast aluminum body with steel yoke, polycarbonate transformer case, ceramic bi-pin socket for MR16 lamp, and clear lens.

Transformer : Integral electronic transformer for 12V MR16 lamp. Input voltage: 120VAC / 60HZ

Lamping: MR16 MAX 50W lamp (Series 896);
MR16 MAX 75W lamp (Series 896L);
(Lamps sold separately)

Socket: Ceramic Bi-pin G5.3 / G6.35 socket

Finish: Powder coat paint finish.
Available in Black (BK) and White (WT)

Standards: UL & CUL Listed

Specification Features

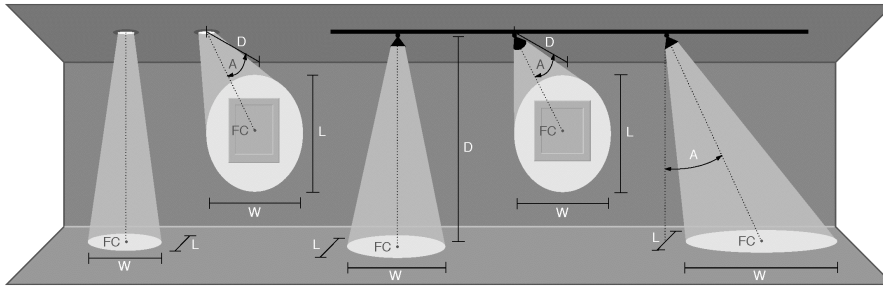
- Accepts different lenses and accessories.
- 360° horizontal rotation and 180° vertical aiming
- Dimmable with ELV (Electronic Low Voltage) dimmer.
- 5 year WAC Lighting product warranty.

Compatible Accessories (Sold Separately)

• Color Dichroic Lens	• Clear Lens	• Color Lens
• UV Filter	• Beam Softening (Frosted) Lens	• Beam Spreading Lens
• Barn Doors	• Framing Projector	

CATALOG NUMBER	TYPE
PROJECT	

Photometry



D	Distance To Fixture From Wall Or Floor
FC	Initial Footcandle Level At Center Of Beam
L	Beam Length (where candlepower drops to 50% of maximum)
W	Beam Width (where candlepower drops to 50% of maximum)

896 MR16 50W (40 DEG)			
0° Aiming Angle			
D(ft)	FC	L	W
6	21	5.6	5.6
9	9	8.5	8.5
12	5	11.3	11.3
15	3	14.1	14.1
45° Aiming Angle			
D(ft)	FC	L	W
6	7	14.5	8.0
9	3	21.8	12.0
12	2	29.0	16.0
15	1	36.3	20.0

