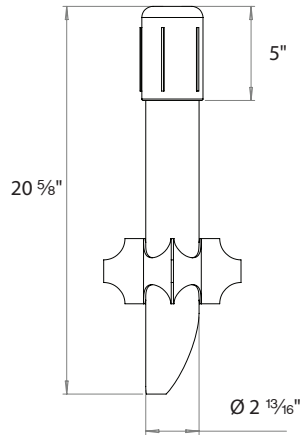
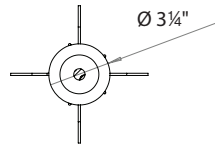


STAKE

9000

WAC

LANDSCAPE LIGHTING



Fixture Type:

Catalog Number:

Project: _____

Location: _____



PRODUCT DESCRIPTION

Outdoor Stake for WAC Landscape Lighting

ORDERING NUMBER



9000-RPT-BK

*Easy wiring accessory designed for 120V products
Eliminates the need for a separate junction box*



9000-ST9-BK PVC

9000-____-BK

waclighting.com
Phone (800) 526.2588
Fax (800) 526.2585

Headquarters/Eastern Distribution Center
44 Harbor Park Drive
Port Washington, NY 11050

Central Distribution Center
1600 Distribution Ct
Lithia Springs, GA 30122

Western Distribution Center
1750 Archibald Avenue
Ontario, CA 91760