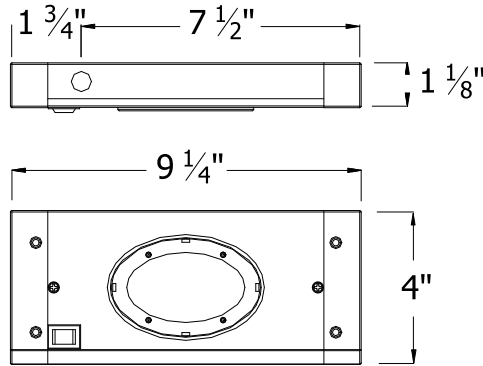


UNDER CABINET XENON LIGHT BAR

MODEL BA-X1



Ordering Matrix		
Model	Series	Finish
[]	[]	[]
BA	X1	BB SN WT

Ordering Example (*model – series – finish*): BA-X1-WT

Product Details	
Description:	Low voltage xenon undercabinet light bar for use on wood cabinets, desks, shelves and bookcases.
Materials:	Extruded aluminum body with an abrasion resistant powder coat paint finish. Snap-in steel oval lens retention ring(s). Frosted glass lens. High-low-off switch. Mounting hardware.
Transformer:	Integral 120v to 12v electronic transformer.
Connection:	The BA-X can be hardwired or use a six foot cord and plug (sold separately). Knockouts are located on both the backside and on the topside for hardwiring (supplied with one 1/2" BX/non-metallic sheathed cable adaptor). Poke-home style connectors are pre-installed on the interior wiring for installation convenience.
Lamping:	One xenon 18 watt, 12 volt wedge base lamp included. Re-lamping is accomplished by removing the snap-on lens/retention ring. Taking apart the housing is not required.
Finish:	BB = Bronze SN = Satin Nickel WT = White
Accessories:	BA-IC12/24/36 = Interconnect Cable BA-PC6 = Power Cord w/grounded plug
Listing:	UL & CUL Listed. 5 year W.A.C. Lighting product warranty.

Specification Features
<ul style="list-style-type: none"> The BA-X series features a low profile, 1 1/8", body style. The BA-X series has the option of using snap-in interconnect cords to link fixtures together, or using I-Connectors for installing multiple units in a continuous row. One I-Connector is included with each light bar. The integral electronic transformer features auto reset, soft start and short circuit protection technologies. The soft start delayed lamp start feature extends lamp life. The BA-X can be hard wired to run off a standard wall switch.