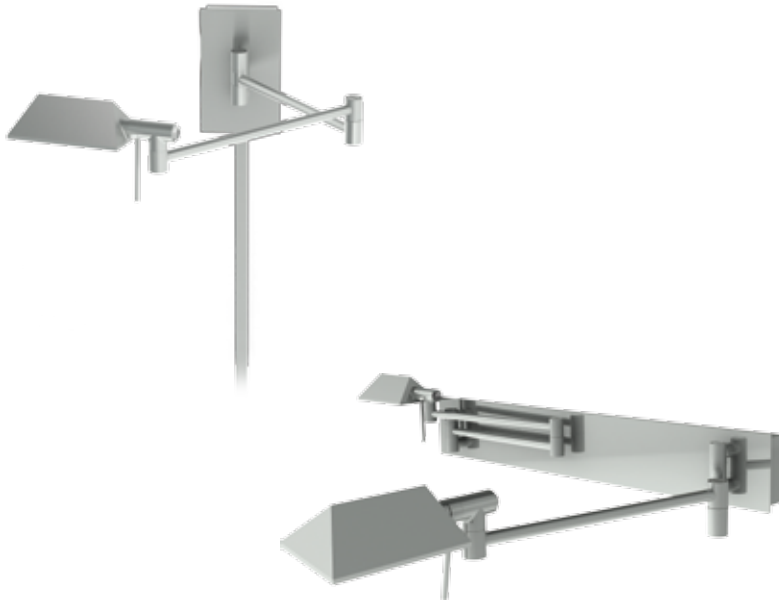


CUE – model: BL-1223, BL-1327

dwelLED™ LED Swing Arms

WAC LIGHTING
Responsible Lighting®

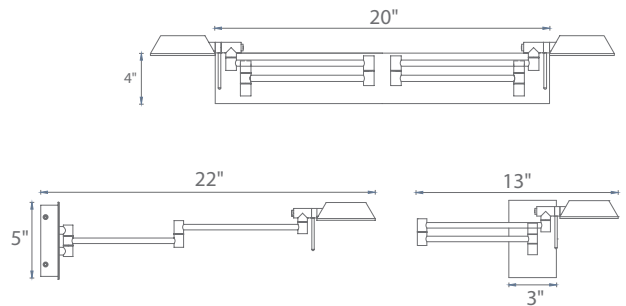


Fixture Type:

Catalog Number:

Project: _____

Location: _____



PRODUCT DESCRIPTION

Clean architectural lines with tightly engineered adjustability. Precision directional lighting with fingertip dimming for comfortable task illumination in the home or office. Available in three handsome plated finishes.

FEATURES

- Smooth swing arm operation
- Two 12 inch cord covers included
- Fingertip touch dimming on head
- Fits 2" x 4" switch box
- ETL & cETL damp location listed
- Integral driver
- Conversion plate for 4" J box included
- For hard-wired and portable (8 foot cord) installation

SPECIFICATIONS

- **Construction:** Die-cast aluminum head. Plated steel base. Polyurethane-housed neck.
- **Color Temperature:** 3000K
- **CRI:** 85

ORDERING NUMBER

Model#		Watt	LED Lumens	Delivered Lumens	Finish
BL-1223	Single	8.5W	489	315	BR <i>Brushed Brass</i> BN <i>Brushed Nickel</i> CH <i>Chrome</i>
BL-1327	Double	16.5W	978	480	



Example: **BL-1223-CH**

WAC Lighting
www.waclighting.com
Phone (800) 526.2588 • Fax (800) 526.2585

Headquarters/Eastern Distribution Center
44 Harbor Park Drive • Port Washington, NY 11050
Phone (516) 515.5000 • Fax (516) 515.5050

Western Distribution Center
1750 Archibald Avenue • Ontario, CA 91760
Phone (800) 526.2588 • Fax (800) 526.2585