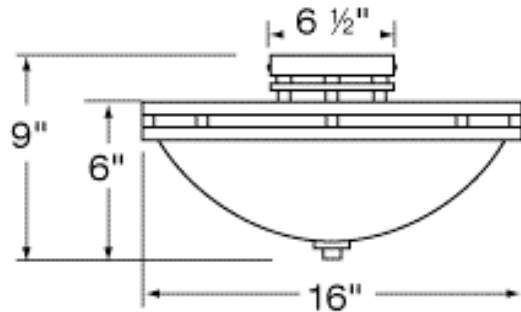


MANHATTAN ARCHITECTURAL PENDANT

SERIES DS – A16



Ordering Matrix

Model	Lamp	Metal Finish	Diffuser
DS-A16	2TF32	BN BZ	OA, OG*
	3A60		OG

Ordering Example (*model number – lamp – metal finish – diffuser*) : DS-A16-2TF32-BN/OA

Product Details

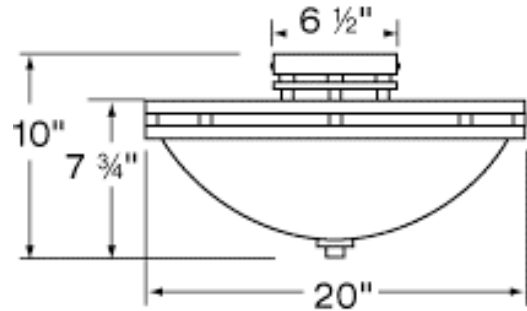
Description:	Decorative specification grade pendant that blends well into commercial, hospitality, high-end residential applications. The bowl comes in an opal finish that hides the lamp image while providing uniform light distribution. Pendants provide comfortable ambient lighting with a diffused downlight pattern.
Materials:	Pendant diffuser is made of either Opal Acrylic (OA) or etched Opal Glass (OG). All visible metal parts pendant parts are Brushed Nickel or Designer Bronze. Bowl supported by the four rigid center support rods that assure proper alignment. Glass diffusing bowl available in both incandescent and CFL*. Acrylic diffusing bowl only available for CFL lamping.
Dimensions:	9" H x 16" W (6" Bowl Height)
Mounting:	6 1/2" mounting canopy.
Lamping:	Two 32w four-pin triple tube compact fluorescent (2TF32) or three 60w medium base screw-in incandescent (3A60).
Finish:	BN = Brushed Nickel metal finish BZ = Designer Bronze metal finish
Listing:	UL & CUL Listed.
Options:	Contact factory regarding Emergency and Dimming ballasts.

Specification Features

- Opal Acrylic bowl diffuser (**OA**) comes with a standard acrylic dust cover for clean appearance and easy maintenance.
- Opal Glass bowl diffuser (**OG**) comes with a mesh dust cover for easy maintenance and lifetime durability.
- Compact Fluorescent Manhattan wall sconces use integral high efficiency 120v/277v electronic ballasts that provide instant starts and long lamp life.
- Matching family of companion pendants and decorative wall sconces are available; refer to the WAC Architectural Lighting website, www.waclighting.com, for further details.
- 5 year WAC Architectural Lighting product warranty.

MANHATTAN ARCHITECTURAL PENDANT

SERIES DS- A20



Ordering Matrix

Model	Lamp	Metal Finish	Diffuser
DS-A20	4TF26	BN BZ	OA

Ordering Example (*model number – lamp – metal finish – diffuser*): DS-A20-4TF26-BN/OA

Product Details

Description:	Decorative specification grade pendant that blends well into commercial, hospitality, high-end residential projects. The bowl comes in an opal finish that hides the lamp image while providing uniform light distribution.
Materials:	Pendant diffuser is made of either Opal Acrylic (OA) or etched Opal Glass (OG). All visible metal parts pendant parts are Brushed Nickel or Designer Bronze. Bowl supported by the four rigid center support rods that assure proper alignment. Glass diffusing bowl available in both incandescent and CFL*. Acrylic diffusing bowl only available for CFL lamping.
Dimensions:	10" H x 20" W (7 3/4" Bowl Height)
Mounting:	6 1/2" mounting canopy
Lamping:	Four 26w four-pin triple tube compact fluorescent (TF26) or three 60w medium base screw-in incandescent (3A60).
Finish:	BN = Brushed Nickel metal finish BZ = Designer Bronze metal finish
Listing:	UL & CUL Listed.
Options:	Contact factory regarding Emergency and Dimming ballasts.

Specification Features

- Opal Acrylic bowl diffuser (**OA**) comes with a standard acrylic dust cover for clean appearance and easy maintenance.
- Opal Glass bowl diffuser (**OG**) comes with a mesh dust cover for easy maintenance and lifetime durability.
- Compact Fluorescent Manhattan pendants use integral high efficiency 120v/277v electronic ballasts that provide instant starts and long lamp life.
- Matching family of companion pendants and decorative wall sconces are available; refer to the WAC Architectural Lighting website, www.waclighting.com, for further details.
- 5 year WAC Architectural Lighting product warranty.