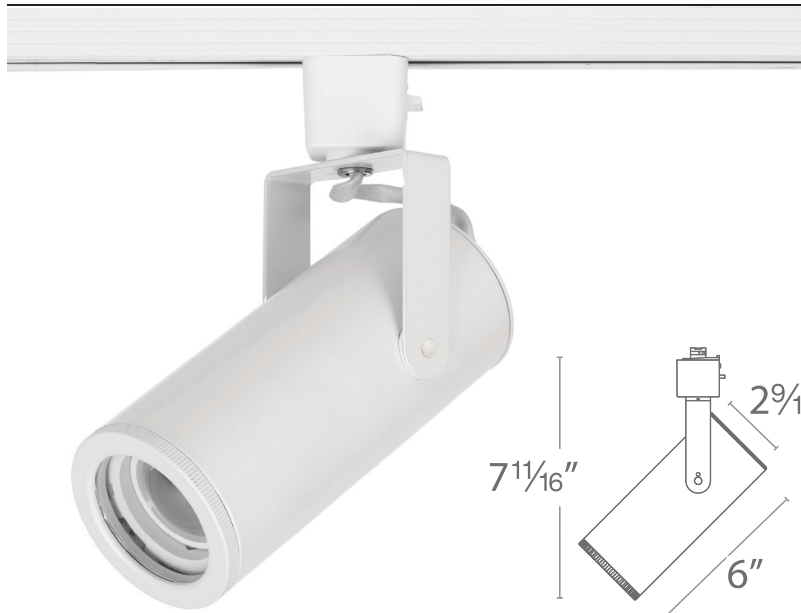


SILO X20 – model: 2020

H/L/J Track Luminaire

WAC LIGHTING

Responsible Lighting®

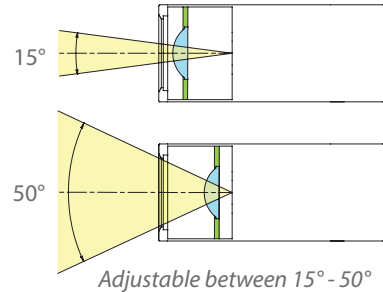


Fixture Type:

Catalog Number:

Project: _____

Location: _____



PRODUCT DESCRIPTION

Silo 2020 offers superior light output in a small, unobstructive design with wide range of dynamic beam adjustment. Engineered style single source LED, optical and thermal management in a slender die-cast housing. Ideal for residential, retail, and lower mounting height commercial application.

FEATURES

- Continuously adjustable beam angles from 15° to 50°
- Die-cast aluminum construction with rotatable front face
- Integral LED and driver
- Outperforms halogen 75W MR16
- Accommodates one lens and one glare control accessory
- 50,000 hour rated life
- 5 year WAC Lighting product warranty

SPECIFICATIONS

- Construction:** Die-cast aluminum with removable front cap for lenses or accessories
- Input:** 120VAC 50/60Hz
- Power:** 20W
- Light Source:** High output COB LED
- Dimming:** 100%-5% electronic low voltage (ELV) dimmer
- Standards:** UL & cUL Listed
- Finish:** Powder coated Black and White and Dark Bronze
Anodized Brushed Nickel, Brushed Brass

Track	Model	CRI	Color Temp	Beam	Lumens	CBCP	Finish
H H Track L L Track J J/J2 Track	2020	90	927 2700K	15°	715	6230	BK Black BN Brushed Nickel BR Brushed Brass DB Dark Bronze WT White
				50°	985	1180	
			930 3000K	15°	785	6840	
				50°	1080	1295	
			935 3500K	15°	810	7060	
				50°	1115	1335	
			940 4000K	15°	840	7310	
				50°	1155	1385	

-2020-930-

Example: **H-2020-930-WT**

Accommodates one lens accessory and one glare control accessory, or one framing projector

FLAT LENS

FLAT LENS

GLARE CONTROL

FRAMING PROJECTOR

Amber **LENS-16-AMB**
Blue **LENS-16-BLU**
Green **LENS-16-GRN**
Red **LENS-16-RED**

Frosted **LENS-16-FR**
Spread **LENS-16-SPR**
Beam Elongating **LENS-16-BEL**

Cross Louver - Black **LENS-16P-CRL-BK**
Cross Louver - Brushed Nickel **LENS-16P-CRL-BN**
Cross Louver - White **LENS-16P-CRL-WT**
Snoot - Black **LENS-16-SNOOT-BK**
Snoot - Brushed Nickel **LENS-16-SNOOT-BN**
Snoot - White **LENS-16-SNOOT-WT**
Honey Comb Louver **LENS-16-HCL**

Framing Projector **FP-K-BK**
Accessories **FP-K-WT**

WAC Lighting

www.waclighting.com

Phone (800) 526.2588 • Fax (800) 526.2585

Headquarters/Eastern Distribution Center

44 Harbor Park Drive • Port Washington, NY 11050

Phone (516) 515.5000 • Fax (516) 515.5050

Western Distribution Center

1750 Archibald Avenue • Ontario, CA 91760

Phone (800) 526.2588 • Fax (800) 526.2585