

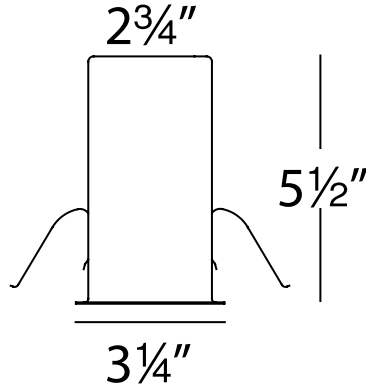
HR-806

2.5" Low Voltage Remodel Housing

120V – Non-IC – Remote Transformer Housing

WAC LIGHTING

Responsible Lighting®



Fixture Type:

Catalog Number:

Project: _____

Location: _____

PRODUCT DESCRIPTION

Low voltage housing for cabinets, displays, soffit, and similar low profile applications. Miniature's utilize MR16 lamps, up to 35W maximum, and require a remote transformer.

FEATURES

- Remote Electronic or Magnetic Transformer required
- Compact enough to fit in 2x6 joist installations, allowing these to be used in "shallow" applications.
- 3" clearance on all sides when insulation is present
- Low profile housing
- Handles mounting surfaces up to 3/4" thick
- Suitable for use in "shallow" joist installations
- Features integral thermal protector
- UL and CUL Listed

SPECIFICATIONS

Construction: Housing is 20 gauge galvanized steel, painted black. Electrical components within the can are a bi-pin ceramic socket with nickel plating and 18 gauge teflon insulated wires with fiberglass sleeves.

J-Box: Three 1/2" knockouts provided for wire entry and exit. Suitable for chain wiring.

Transformer: Remote electronic or magnetic transformer, sold separately. Transformer may be 12V or 24V.

Mounting: No screws, nails or hardware required. Flat "wing" springs expand against the cut out hole to hold fixture against the surface. 3" cutout hole. Handles mounting surface thickness up to 3/4".

Rating: Non-IC: insulation must be kept at least 3" away from the housing.

Standards: UL & CUL Listed

ORDER NUMBER

HR-806

1 WATT MINIMUM ENCLOSED ELECTRONIC REMOTE TRANSFORMERS

Model	Input	Output	L	W	H
EN-1260-RB-AR	120V	12V, 60W	6 5/8"	1 5/8"	1 1/8"
EN-1275-RB-AR	120V	12V, 75W	6 5/8"	1 5/8"	1 1/8"
EN-12100-RB-AR	120V	12V, 100W	6 1/4"	3"	1 5/8"
EN-12150-RB-AR	120V	12V, 150W	6 1/4"	3"	1 5/8"
EN-24150-RB-AR	120V	24V, 150W	6 1/4"	3"	1 5/8"
EN-B12PY-AR	120V	12V, 250W	6 1/2"	3 3/8"	2 1/2"
EN-B24PZ-AR	120V	24V, 300W	6 1/2"	3 3/8"	2 1/2"



COMPATIBLE TRIMS

Model #	Description	Finish – (where there is a slash (/) the letters correspond as: interior finish/exterior finish)
HR-834	Metal Trim Step Baffle	Black/White (WT), White/White (WT/WT)
HR-836	Metal Trim Downlight	Brushed Nickel (BN), Copper Bronze (CB), White (WT)
HR-837	Gimbal Ring 25° Adjustment from Vertical	Black (BK), Brushed Nickel (BN), Chrome (CH), Copper Bronze (CB), White (WT)

See individual trim spec sheets for complete information.

WAC Lighting

www.waclighting.com

Phone (800) 526.2588 • Fax (800) 526.2585

Headquarters/Eastern Distribution Center

44 Harbor Park Drive • Port Washington, NY 11050

Phone (516) 515.5000 • Fax (516) 515.5050

Western Distribution Center

1750 Archibald Avenue • Ontario, CA 91760

Phone (800) 526.2588 • Fax (800) 526.2585