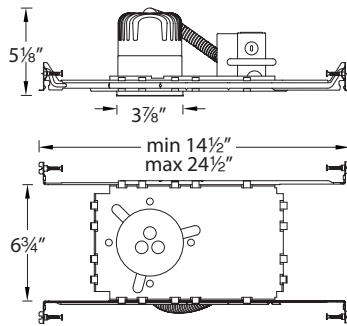
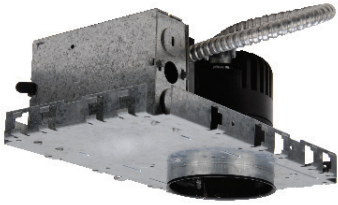


HR-LED309-NIC

3" LEDme® – IC-Rated, New Construction Housing

WAC LIGHTING

Responsible Lighting®



Fixture Type:

Catalog Number:

Project:

Location:

PRODUCT DESCRIPTION

3 inch LEDme® IC-Rated new construction housing, includes three 3W LED's. For use with LEDme® 3 inch trims.

FEATURES

- Cutout: 3 7/8"
- 100,000 hour rated life
- Accommodates ceiling thickness up to 1"
- Suitable for damp locations
- UL and CUL Listed
- 5 year WAC Lighting product warranty

FIXTURE PERFORMANCE

Model #	Color Temp	Watt	Lumens	Efficacy	CRI
HR-LED309-NIC-27	2700K	5.8W	295	51.0 Lm/W	85
HR-LED309-NIC-30	3000K	5.8W	295	51.0 Lm/W	85
HR-LED309-NIC-35	3500K	5.8W	314	54.1 Lm/W	80
HR-LED309-NIC-40	4000K	5.8W	375	66.6 Lm/W	75

SPECIFICATIONS

Construction: Die-cast aluminum heat sink painted black. Housing and junction box are 20 gauge steel. Frame and hanger bars are heavy gauge galvanized steel.

J-Box: Seven knockouts and four Romex® style wiring connectors provided for ease of installation. Rated for branch wiring.

Driver: Electronic driver, 120VAC/60Hz input, 5.8W output, 450mA current. Power factor >0.9. Dimming with thermal protection.

Light Source: Includes three 3W ANSI compliant Warm/Neutral LEDs for the finest color consistency possible. Replacement modules available.

Dimming: Dimmed to 10% with electronic low voltage (ELV) dimmer.

Mounting: Supplied with hanger bars, adjustable from 1 1/2"-2 1/2" to accommodate various joist construction and grid sizes. Hanger bars include a captive mounting "screw-nail" for ease of installation. Accommodates surface up to 1" thick. 3 7/8" cutout hole.

Rating: IC-Rated: Suitable for direct contact with insulation.

Standards: UL & CUL Listed.

ORDER NUMBER

Model #	Color Temp
HR-LED309-NIC	27 2700K
	30 3000K
	35 3500K
	40 4000K

REPLACEMENT MODULES

Model #	Color Temp
RM-3X3-27	2700K
RM-3X3-30	3000K
RM-3X3-35	3500K
RM-3X3-40	4000K

HR-LED309-NIC –

Example: HR-LED309-NIC-C

COMPATIBLE TRIMS

Model #	Description	Finish – (where there is a slash (/) the letters correspond as: interior finish/exterior finish)
HR-LED311	Round, Open Reflector Downlight	Black/Brushed Nickel (BK/BN), Black/White (BK/WT), White/White (WT/WT)
HR-LED321	Round, Step Baffle Downlight	Black/Brushed Nickel (BK/BN), Black/White (BK/WT), White/White (WT/WT)
HR-LED331	Round, Shower light	Chrome (CH), White (WT)
HR-LED351	Square, Open Reflector Downlight	Black/Brushed Nickel (BK/BN), Black/White (BK/WT), White/White (WT/WT)
HR-LED371	Square, Shower light	Chrome (CH), White (WT)

Example: HR-LED311-BK/BN

See individual trim spec sheets for complete information.

WAC Lighting

www.waclighting.com

Phone (800) 526.2588 • Fax (800) 526.2585

Headquarters/Eastern Distribution Center

44 Harbor Park Drive • Port Washington, NY 11050

Phone (516) 515.5000 • Fax (516) 515.5050

Western Distribution Center

1750 Archibald Avenue • Ontario, CA 91760

Phone (800) 526.2588 • Fax (800) 526.2585

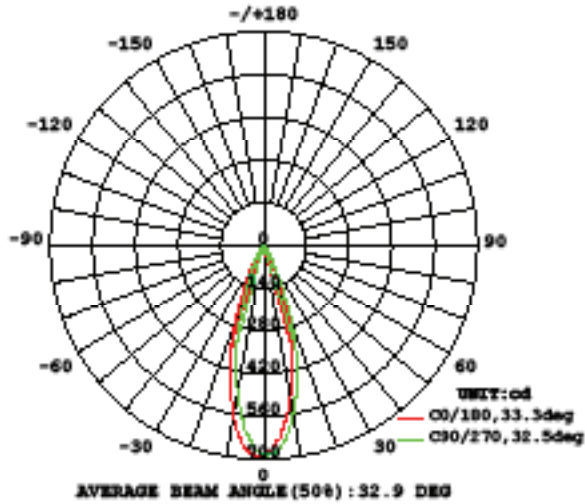
HR-LED309-NIC

Photometrics

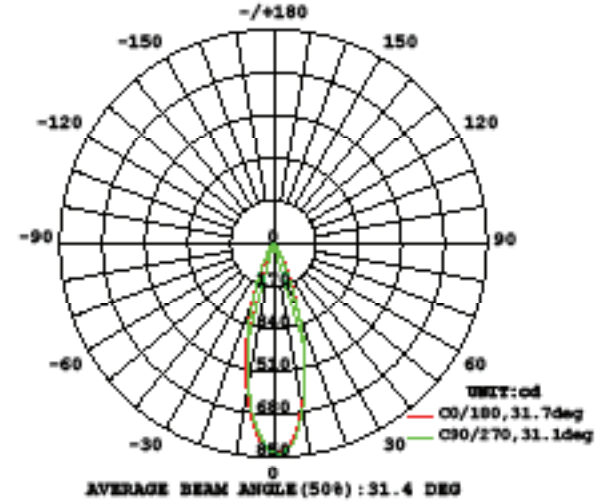
WAC LIGHTING

Responsible Lighting®

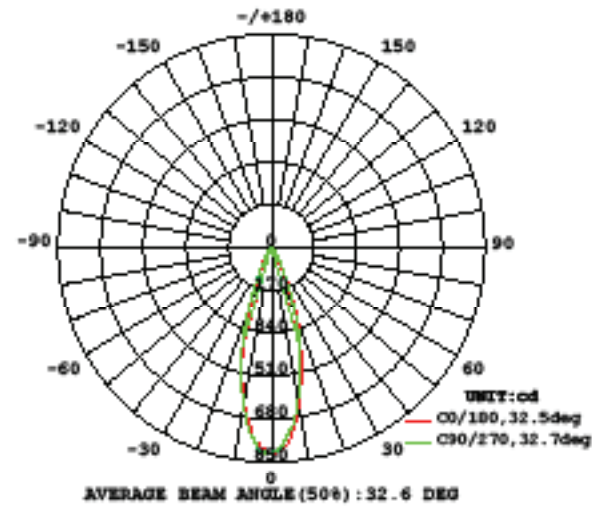
2700K



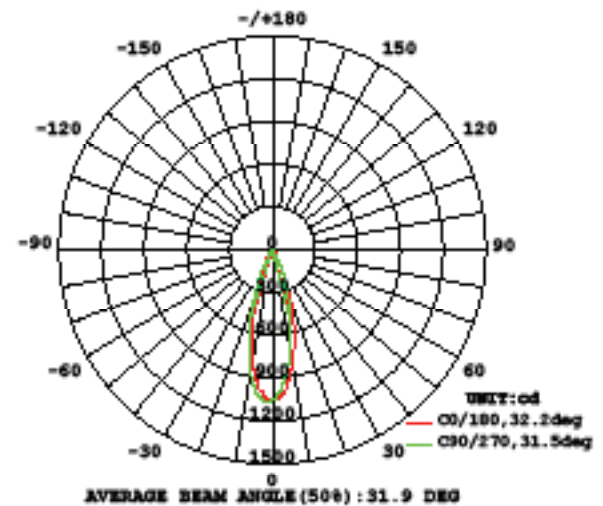
3000K



3500K



4500K



WAC Lighting
www.waclighting.com
Phone (800) 526.2588 • Fax (800) 526.2585

Headquarters/Eastern Distribution Center
44 Harbor Park Drive • Port Washington, NY 11050
Phone (516) 515.5000 • Fax (516) 515.5050

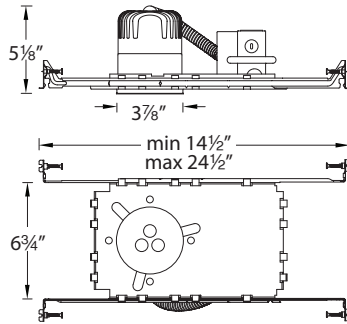
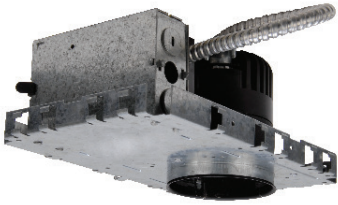
Western Distribution Center
1750 Archibald Avenue • Ontario, CA 91760
Phone (800) 526.2588 • Fax (800) 526.2585

HR-LED309-N

3" LEDme® – Non-IC, New Construction Housing

WAC LIGHTING

Responsible Lighting®



Fixture Type:

Catalog Number:

Project: _____

Location: _____

PRODUCT DESCRIPTION

3 inch LEDme® Non-IC new construction housing, includes three 3W LED's. For use with LEDme® 3 inch trims.

FEATURES

- Cutout: 3 7/8"
- 100,000 hour rated life
- Accommodates ceiling thickness up to 1"
- Suitable for damp locations
- UL and CUL Listed
- 5 year WAC Lighting product warranty

FIXTURE PERFORMANCE

Model #	Color Temp	Watt	Lumens	Efficacy	CRI
HR-LED309-N-27	2700K	8W	413	52.0 Lm/W	85
HR-LED309-N-30	3000K	8W	413	52.0 Lm/W	85
HR-LED309-N-35	3500K	8W	440	55.0 Lm/W	80
HR-LED309-N-40	4000K	8W	515	67.4 Lm/W	75

SPECIFICATIONS

Construction: Die-cast aluminum heat sink painted black. Housing and junction box are 20 gauge steel. Frame and hanger bars are heavy gauge galvanized steel.

J-Box: Seven knockouts and four Romex® style wiring connectors provided for ease of installation. Rated for branch wiring.

Driver: Electronic driver, 120VAC/60Hz input, 8W output, 700mA current. Power factor >0.9. Dimming with thermal protection.

Light Source: Includes three 3W ANSI compliant Warm/Neutral LEDs for the finest color consistency possible. Replacement modules available.

Dimming: Dimmed to 10% with electronic low voltage (ELV) dimmer.

Mounting: Supplied with hanger bars, adjustable from 1 1/2"-2 1/2" to accommodate various joist construction and grid sizes. Hanger bars include a captive mounting "screw-nail" for ease of installation. Accommodates surface up to 1" thick. 3 7/8" cutout hole.

Rating: Non-IC: insulation must be kept at least 3" away from the housing.

Standards: UL & CUL Listed.

ORDER NUMBER

Model #	Color Temp
HR-LED309-N	27 2700K
	30 3000K
	35 3500K
	40 4000K

REPLACEMENT MODULES

Model #	Color Temp
RM-3X3-27	2700K
RM-3X3-30	3000K
RM-3X3-35	3500K
RM-3X3-40	4000K

HR-LED309-N -

Example: HR-LED309-N-C

COMPATIBLE TRIMS

Model #	Description	Finish – (where there is a slash (/) the letters correspond as: interior finish/exterior finish)
HR-LED311	Round, Open Reflector Downlight	Black/Brushed Nickel (BK/BN), Black/White (BK/WT), White/White (WT/WT)
HR-LED321	Round, Step Baffle Downlight	Black/Brushed Nickel (BK/BN), Black/White (BK/WT), White/White (WT/WT)
HR-LED331	Round, Shower light	Chrome (CH), White (WT)
HR-LED351	Square, Open Reflector Downlight	Black/Brushed Nickel (BK/BN), Black/White (BK/WT), White/White (WT/WT)
HR-LED371	Square, Shower light	Chrome (CH), White (WT)

Example: HR-LED311-BK/BN

See individual trim spec sheets for complete information.

WAC Lighting

www.waclighting.com

Phone (800) 526.2588 • Fax (800) 526.2585

Headquarters/Eastern Distribution Center

44 Harbor Park Drive • Port Washington, NY 11050

Phone (516) 515.5000 • Fax (516) 515.5050

Western Distribution Center

1750 Archibald Avenue • Ontario, CA 91760

Phone (800) 526.2588 • Fax (800) 526.2585

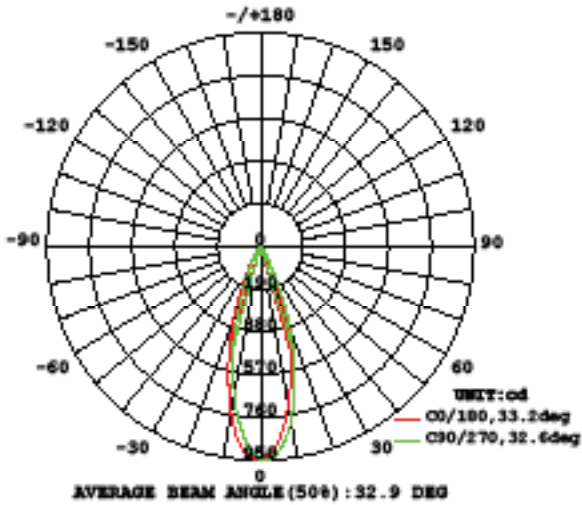
HR-LED309-N

Photometrics

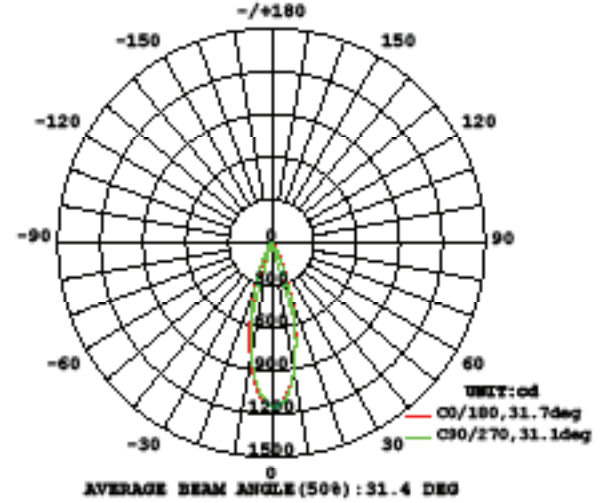
WAC LIGHTING

Responsible Lighting®

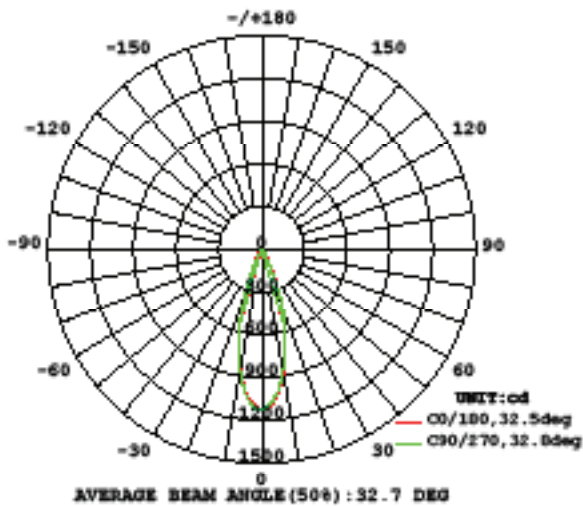
2700K



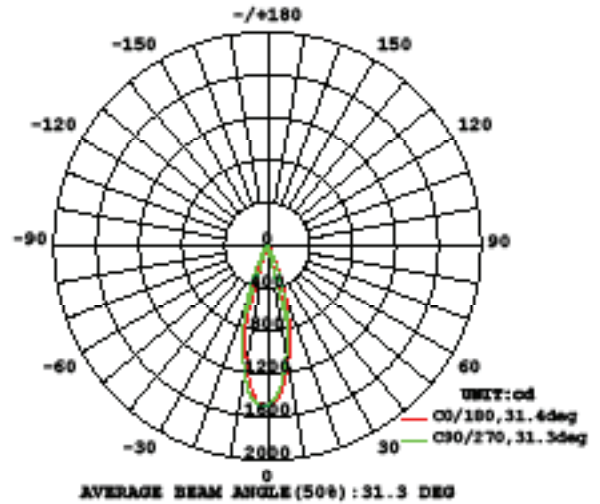
3000K



3500K



4500K



WAC Lighting
www.waclighting.com
Phone (800) 526.2588 • Fax (800) 526.2585

Headquarters/Eastern Distribution Center
44 Harbor Park Drive • Port Washington, NY 11050
Phone (516) 515.5000 • Fax (516) 515.5050

Western Distribution Center
1750 Archibald Avenue • Ontario, CA 91760
Phone (800) 526.2588 • Fax (800) 526.2585