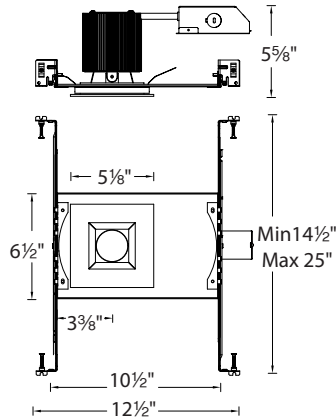
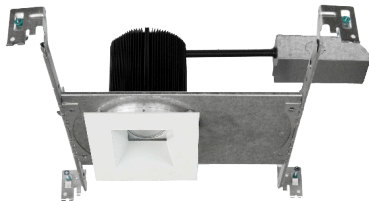
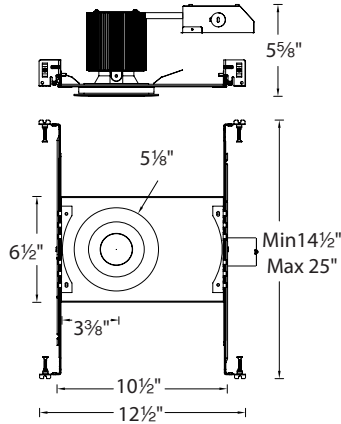


# SUMMIT 2.0 3.5" AC-LED HR3S

## 120V - Non-IC-Rated, Airtight

# WAC LIGHTING

Responsible Lighting®



Fixture Type:

Catalog Number:

Project:

Location:

### SPECIFICATIONS

**Comparable:** 50W MR16

**Input:** 120VAC 50/60HZ

**Rated Life:** Reported Life > 36,000 hrs\*  
 Calculated Life = 50,000 hours\*  
 \*Based on IES TM21 Report

**Construction:** Die-cast trim Painted White.  
 Frame and hanger bars are heavy gauge galvanized steel.

**J-Box:** Two knockouts. Rated for through branch wiring.  
 Wire connectors provides for ease of installation.

**Driver:** Uses AC-LED, no driver needed

**Mounting:** Supplied with hanger bars, adjustable from 14 1/2"-25"  
 to accommodate various joist construction and grid sizes. Hanger  
 bars include a captive mounting "screw-nail" for ease of installation.  
 Accommodates surfaces from 1/2"- 3/4" thick.  
 4 5/8" cutout hole.

**Dimming:** 100%-10% ELV Dimming

**Compatible Dimmer:** Lutron: *DVELV-300P, SELV-300P, RRD-6NA*

**Rating:** Non-IC-Rated: Insulation must be kept at least 3" away from  
 the housing

**Standards:** Energy Star®, ETL & cETL Listed for Wet Locations.

### PRODUCT DESCRIPTION

3.5" AC-LED integral trim and frame kit

### FEATURES

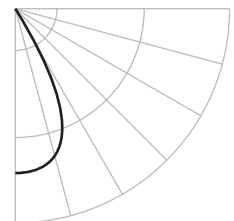
#### The one solution for your house

- One product for both new construction and remodel
- Energy Star®
- Frosted lens for glare control and optimal light distribution
- Integral housing and Trim
- Driver-free, 120V line voltage input
- Ceiling thickness: 1/2" - 3/4"

### ORDER NUMBER

Model #	Power	Beam Angle	Color Temp	CRI	Lumen	Note
<b>HR3S-R30F-WT</b> Round Non-IC, Airtight Remodel and New Construction	14.5W	45°	3000K	90	910	Insulation must be kept at least 3" away from the housing
<b>HR3S-S30F-WT</b> Square Non-IC, Airtight Remodel and New Construction	14.5W	45°	3000K	90	895	Insulation must be kept at least 3" away from the housing

### PHOTOMETRY



### HR3S-\_\_30F-WT

wacighting.com  
 Phone (800) 526.2588  
 Fax (800) 526.2585

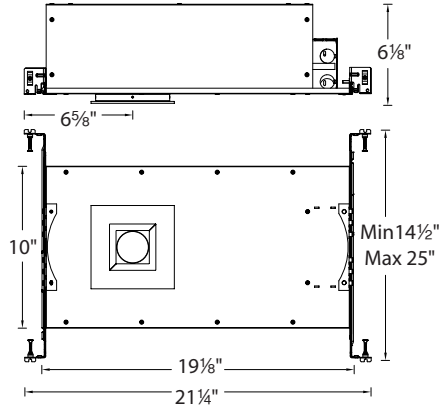
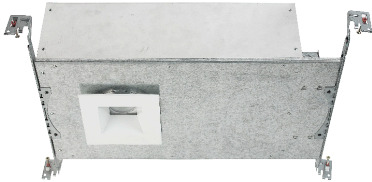
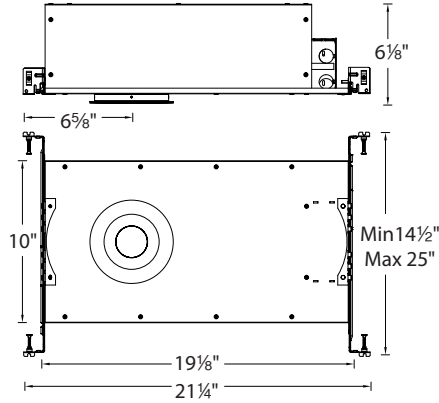
Headquarters/Eastern Distribution Center  
 44 Harbor Park Drive  
 Port Washington, NY 11050

Central Distribution Center  
 1600 Distribution Ct  
 Lithia Springs, GA 30122

Western Distribution Center  
 1750 Archibald Avenue  
 Ontario, CA 91760

**SUMMIT 2.0** 3.5" AC-LED HR3S-IC  
120V - IC-Rated, Airtight

**WAC LIGHTING**  
Responsible Lighting®



Fixture Type:

Catalog Number:

Project:

Location:

**SPECIFICATIONS**

**Comparable:** 50W MR16

**Input:** 120VAC 50/60HZ

**Rated Life:** Reported Life > 36,000 hrs\*  
Calculated Life = 50,000 hrs\*  
*\*Based on IES Tm21 Report*

**Construction:** Die-cast trim Painted White.  
Frame and hanger bars are heavy gauge galvanized steel.

**J-Box:** Seven knockouts. Rated for through branch wiring.  
Wire connectors provides for ease of installation.

**Driver:** Uses AC-LED, no driver needed

**Mounting:** Supplied with hanger bars, adjustable from 14 1/2"-25"  
to accommodate various joist construction and grid sizes. Hanger  
bars include a captive mounting "screw-nail" for ease of installation.  
Accommodates surfaces from 1/2"- 3/4" thick.  
4 5/8" cutout hole.

**Dimming:** 100%-10% ELV Dimming

**Compatible Dimmer:** DVELV-300P, SELV-300P, RRD-6NA

**Rating:** IC-Rated

**Standards:** Energy Star®, ETL & cETL Listed for Wet Locations.

**PRODUCT DESCRIPTION**

3.5" AC-LED integral trim and housing

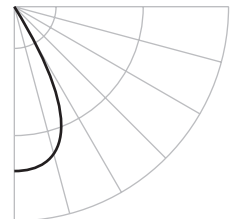
**FEATURES**

- Energy Star®
- Wet Location Listed
- Frosted lens for glare control and optimal light distribution
- Includes housing and Trim
- Driver-free, 120V line voltage input
- Ceiling thickness: 1/2" - 3/4"

**ORDER NUMBER**

Model #	Power	Beam Angle	Color Temp	CRI	Lumen
<b>HR3S-ICR30F-WT</b> Round IC-Rated, Airtight New Construction	14.5W	45°	3000K	90	910
<b>HR3S-ICS30F-WT</b> Square IC-Rated, Airtight New Construction	14.5W	45°	3000K	90	895

**PHOTOMETRY**



**HR3S-IC\_\_30F-WT**

wacighting.com

Phone (800) 526.2588

Fax (800) 526.2585

Headquarters/Eastern Distribution Center

44 Harbor Park Drive

Port Washington, NY 11050

Central Distribution Center

1600 Distribution Ct

Lithia Springs, GA 30122

Western Distribution Center

1750 Archibald Avenue

Ontario, CA 91760