

Model: LM2-DCPC

Duorail™ Four Circuit Power Feed

WAC LIGHTING

Responsible Lighting®

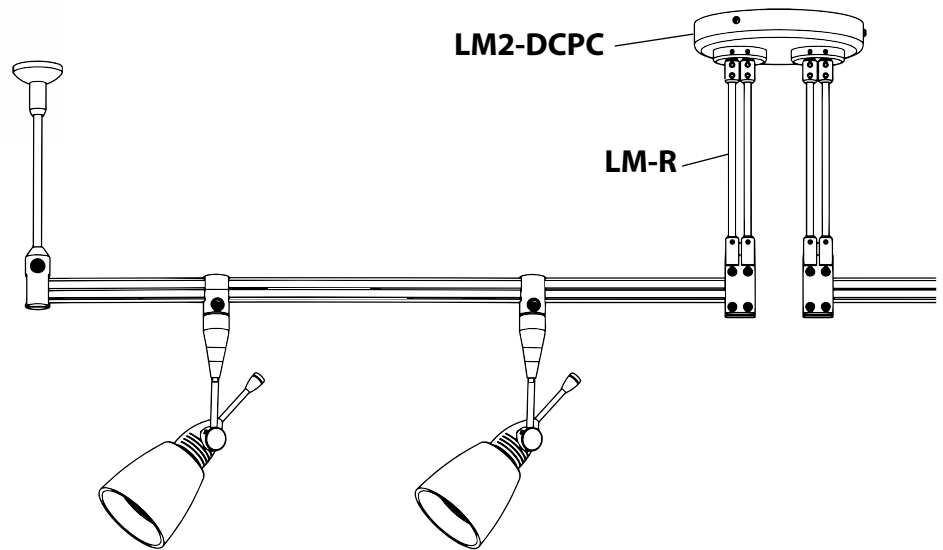


Fixture Type:

Catalog Number:

Project:

Location:



PRODUCT DESCRIPTION

Rigid feed that provides power to two Duorail™ systems from a remote transformer. Standard LM2-DCPC height matches the LM2-X3 suspension standoff height. The LM2-DCPC standoff height can be increased by the use of eight LM-R extension rods.

FEATURES

- 5½" canopy
- Feeds four 25A max power feeds
- Order with dead end "I" connector (LM2-IDEC)
- Use with 3" standoff (LM2-X3)
- 5 year WAC Lighting product warranty

SPECIFICATIONS

Power: Used for either 12V or 24V Duorail™ systems.

Mounting: Designed to cover a standard junction box. 2X25A max.

Finishes: Available in Dark Bronze (DB) and Brushed Nickel (BN).

Standards: UL & CUL listed

ORDER NUMBER

Model	Finish
LM2-DCPC	BN <i>Brushed Nickel</i>
	DB <i>Dark Bronze</i>

EXTENSION RODS

Model	Length	Finish
LM-R	12 12"	BN <i>Brushed Nickel</i> DB <i>Dark Bronze</i>
	24 24"	
	36 36"	
	48 48"	

LM2-DCPC -

Example: **LM2-DCPC-BN**

WAC Lighting
www.waclighting.com
Phone (800) 526.2588 • Fax (800) 526.2585

Headquarters/Eastern Distribution Center
44 Harbor Park Drive • Port Washington, NY 11050
Phone (516) 515.5000 • Fax (516) 515.5050

Western Distribution Center
1750 Archibald Avenue • Ontario, CA 91760
Phone (800) 526.2588 • Fax (800) 526.2585