

DUORAIL™ - model: LM2-EN12-300M

Surface Mount Transformers

WAC LIGHTING

Responsible Lighting®

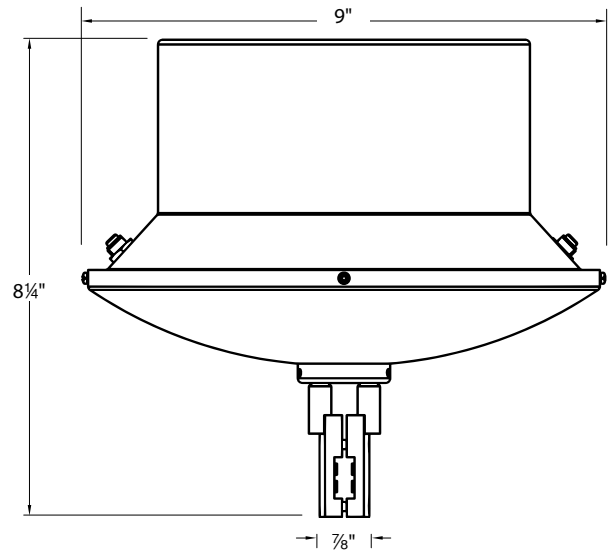


Fixture Type:

Catalog Number:

Project:

Location:



PRODUCT DESCRIPTION

Surface mount magnetic low voltage transformer for the WAC Duorail™ system. The canopy style enclosure includes the transformer and the track power feed adapter.

FEATURES

- The LM2-EN12-300M model has two 150W feeds
- Dims with magnetic low voltage dimmers
- Output circuit breaker located on the upper lip of the canopy enclosure is a magnetic push to reset type
- Contains integral de-buzzing coil
- The surface mount canopy transformer is an ideal choice when the installation is on an existing ceiling
- 5 year WAC Lighting product warranty

SPECIFICATIONS

Power: Input - 120V (60Hz), Output - 12V
300W maximum load (2 x 150W circuits)

Mounting: Installs to a standard junction box. Total weight = 11 lbs. The standard LM2-EN12-300M configuration matches the height of the 8¹/₁₆" standoffs (LM2-X8).

Finishes: Available in Dark Bronze (DB) and Brushed Nickel (BN).

Standards: UL & CUL listed

ORDER NUMBER

Model	Power	Finish
LM2-EN12	300M 300W	BN <i>Brushed Nickel</i> DB <i>Dark Bronze</i>

LM2-EN12 - **300M** -

Example: **LM2-EN12-300M-BN**

WAC Lighting
www.waclighting.com
Phone (800) 526.2588 • Fax (800) 526.2585

Headquarters/Eastern Distribution Center
44 Harbor Park Drive • Port Washington, NY 11050
Phone (516) 515.5000 • Fax (516) 515.5050

Western Distribution Center
1750 Archibald Avenue • Ontario, CA 91760
Phone (800) 526.2588 • Fax (800) 526.2585